



# 2535-2655 MHz Ceramic Duplexer

## Part Number: AM2535-2655D1009-C



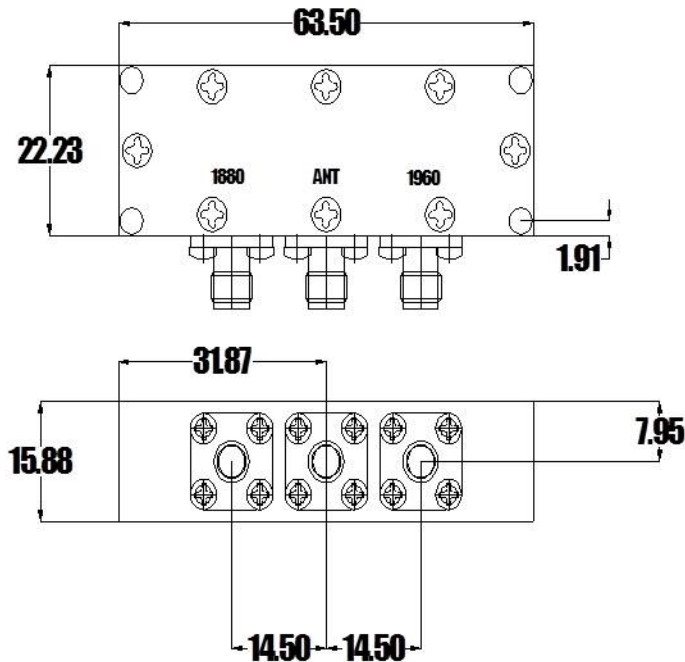
<u>Characteristics</u>	<u>Band 1</u>	<u>Band 2</u>
<b>Passband:</b>	2500-2570 MHz	2620-2690 MHz
<b>Bandwidth:</b>	Fo ± 35 MHz	Fo ± 35 MHz
<b>VSWR:</b>	1.5:1 Max	1.5:1 Max
<b>Passband Insertion Loss:</b>	3.0 dB max	3.0 dB max
<b>Passband Ripple:</b>	1.5 dB max	1.5 dB max
<b>Input / Output Impedance:</b>	50 Ohms	50 Ohms
<b>Isolation:</b>	50 dB min	50 dB min
<b>Power Handling:</b>	5 W	5 W

<u>Mechanical</u>	
<b>Connector Type:</b>	SMA (F)
<b>Dimensions:</b>	63.50 x 22.23 x 15.88 mm

<u>Environmental</u>	
<b>Operating Temperature:</b>	-40 to +70 deg.C
<b>Storage Temperature:</b>	-50 to +90 deg.C

This product is RoHs compliant.

### Outline Drawing:



CONNECTION : PORT : SMA(Female)-All  
Ports TOLERANCE : ±0.30  
UNIT : mm



**Response Plot:**

