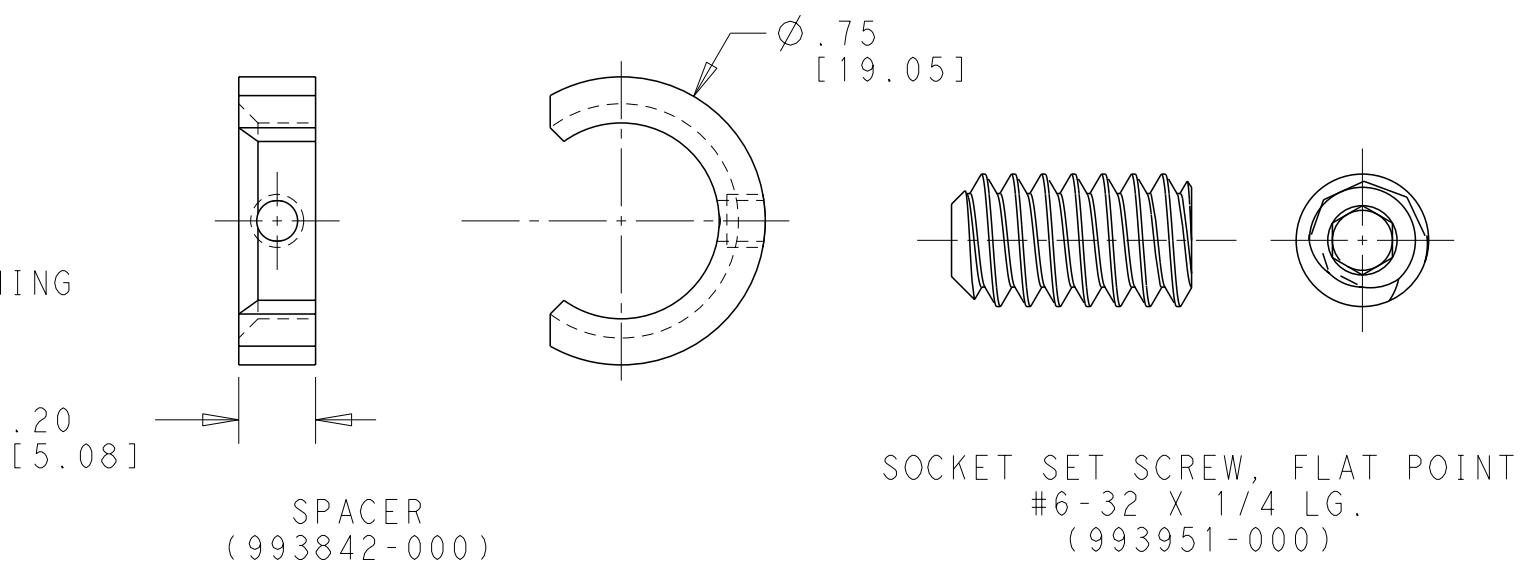
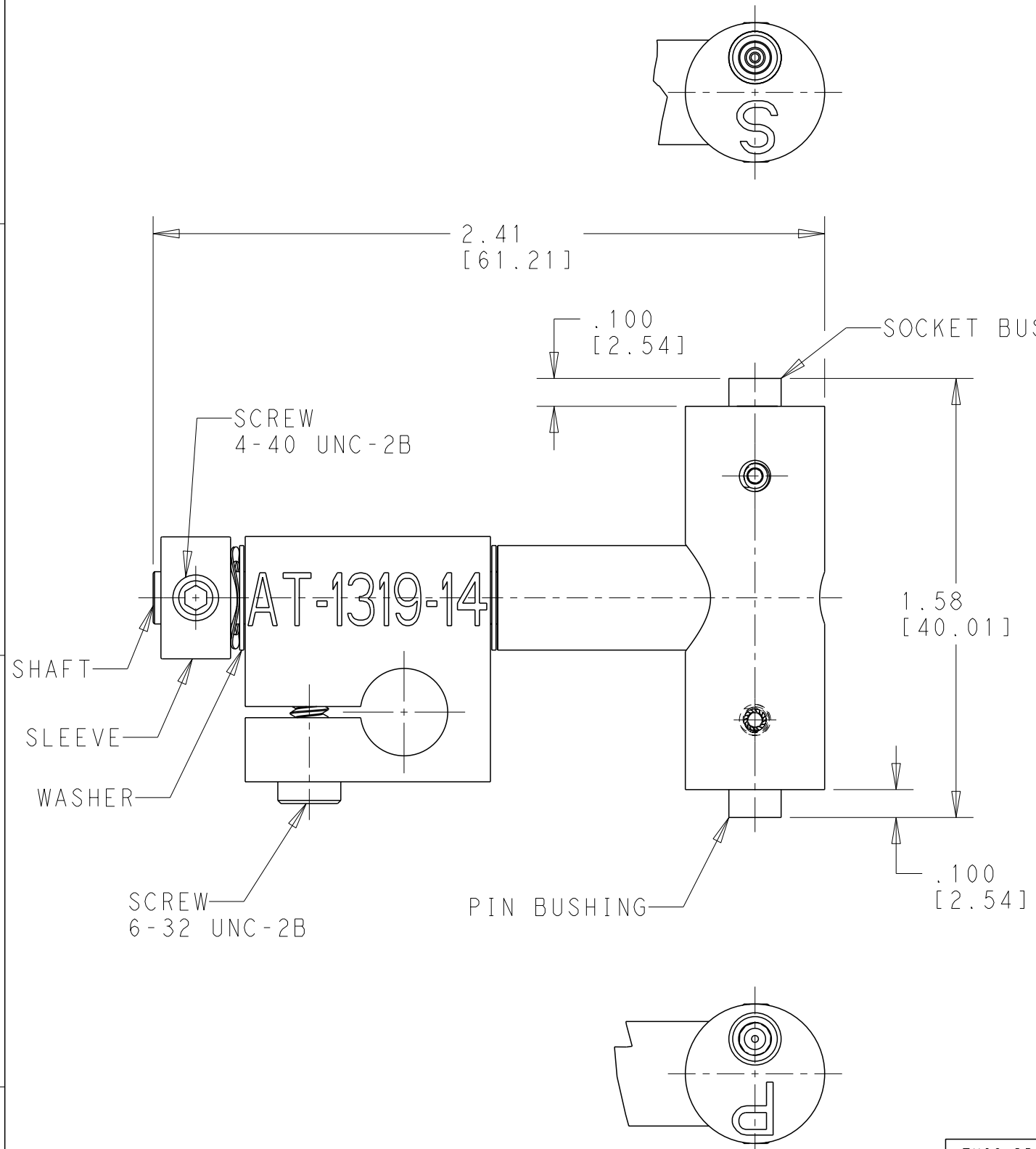


REVISIONS


| P | LTR | DESCRIPTION | DATE | DWN | APVD |
|---|-----|----------------------------------|-----------|-----|------|
| | A | INITIAL RELEASE PER DCR# R050445 | 02DEC2005 | - | MH |
| | B | REVISED PER ECO-16-001928 | 15FEB2016 | KK | MP |
| | | | | | |



- NOTES;
- FOR TERMINATION INSTRUCTION AND APPLICATIONS SEE ENGINEERING STANDARD (ES-61199).
 - MATERIAL: ADAPTER HOUSING: ALUMINIUM 6061-T6 PER ASTM B221, FINISH: CLEAR ANODIZED.
 SHAFT, SLEEVE AND BUSH HOUSING: 303 STAINLESS STEEL PER ASTM A484.
 BUSHING INNER STOP: BRASS 360 1/2 HARD PER ASTM B16/16M.
 WASHER: 18-8 STAINLESS STEEL.
 SCREW: 4-40 UNC-2B SOCKET SETSCREW, STAINLESS STEEL
 6-32 UNC-2B UNC-2B SOCKET HEAD SCREW, STAINLESS STEEL.

748 SOLDER TACT ADAPTER ASSEMBLY
(993877-000)

| | |
|-------------------------|------------|
| 748 SOLDER TACT ADAPTOR | 993877-000 |
| DESCRIPTION | PART NO. |

| | | | | |
|--|--|------------------------------|---|----------------------------|
| THIS DRAWING IS A CONTROLLED DOCUMENT. | | DWN KIRAN K 15FEB2016 |  TE Connectivity | |
| DIMENSIONS: INCHES [MM] | | CHK N. NAGAR 15FEB2016 | | |
| TOLERANCES UNLESS OTHERWISE SPECIFIED: | | APVD M. POPE 15FEB2016 | NAME 748 SOLDER TACT ADAPTOR | |
| 0 PLC ±- 1 PLC ±- 2 PLC ±.01 [.25 mm] 3 PLC ±.005 [.13 mm] 4 PLC ±- ANGLES ±- | | PRODUCT SPEC - | RESTRICTED TO - | |
| MATERIAL - | | FINISH - | APPLICATION SPEC - | SIZE A3 |
| | | WEIGHT - | CAGE CODE - | DRAWING NO G-AT-1319-14 |
| | | CUSTOMER DRAWING | SCALE NTS | SHEET 1 OF 1 |
| | | | | REV B |