

CGA5L1X7R1H106K160AE

TDK Item Description : CGA5L1X7R1H106KT***S



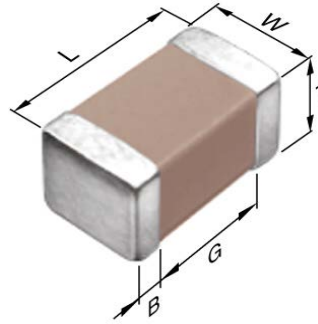
Equivalent C3216X7R1H106K for Automotive

Application & Main Feature

Automotive Grade (Soft Termination)

Series

CGA5(3216) [EIA 1206]



Dimensions

L	3.20mm +0.4,-0.2mm
W	1.60mm +0.3,-0.2mm
T	1.60mm +0.3,-0.2mm
B	0.20mm Min.
G	1.00mm Min.

Temperature Characteristic

X7R (-55 to 125 degC +/-15%)

Rated Voltage

1H(50Vdc)

Capacitance

10uF

Capacitance Tolerance

K (±10%)

Dissipation Factor

5% Max.

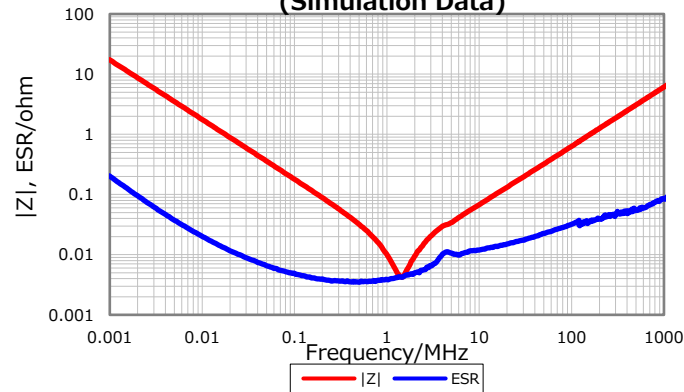
Insulation Resistance

50Mohm Min.

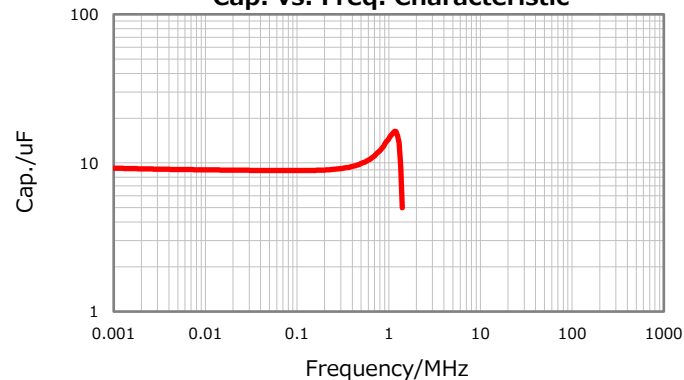
AEC-Q200

Yes

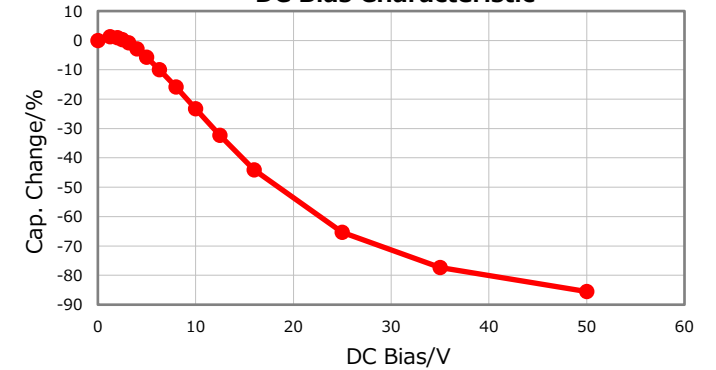
|Z|, ESR vs. Freq. Characteristics (Simulation Data)



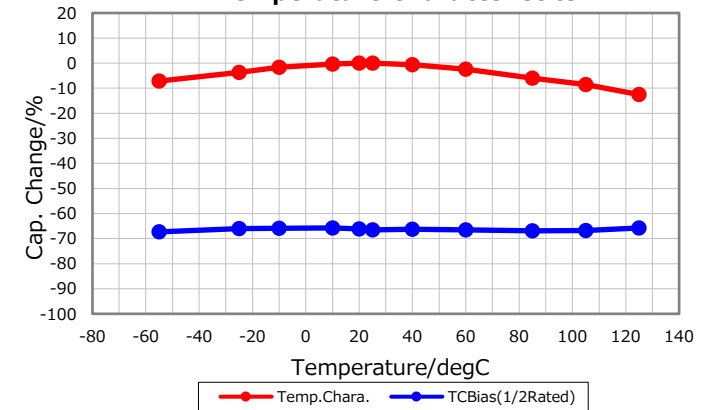
Cap. vs. Freq. Characteristic



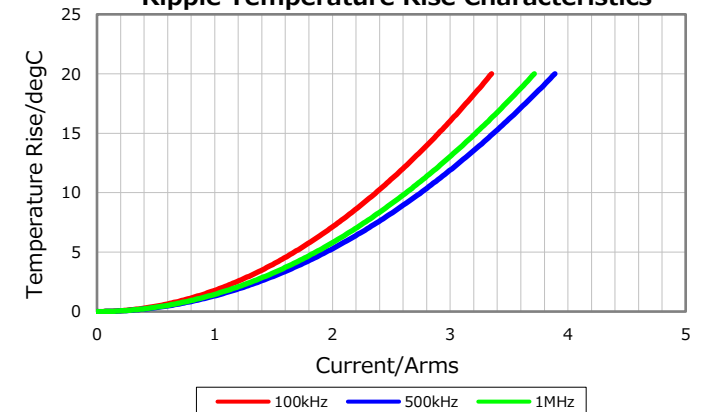
DC Bias Characteristic



Temperature Characteristics



Ripple Temperature Rise Characteristics



Characterization Sheet (Multilayer Ceramic Chip Capacitors)



All specifications are subject to change without notice.

November 14, 2018