

## SUMMARY

### # Wires

Low voltage	17
Coax	2



Image is for illustrative purpose only

Series	5B
Termination type	Male solder mixed / multi coax
IP rating	50
AWG wire size	22.00 - 14.00
Cable Ø	17.60 - 19.50 mm
Status	active
Matching parts	<a href="#">EGG.5B.877.CLL5</a>

### Download

- [Request a quote](#)
- [Catalog](#)

## TECHNICAL DETAILS

### Mechanics

Shell Style/Model	FG*: Straight plug, cable collet
Keying	1 key (alpha=0, plug: male contacts, receptacle: female contacts)
Housing Material	Brass (chrome plated [SAE AMS 2460]) shell and collet nut, nickel plated [SAE AMS QQ N 290] brass latch sleeve and mid pieces
Weight	313.57 g

### Performance

Configuration	5B.877 : 2 Coax (75 Ohm), 17 Low V.
Insulator	L: PEEK (UL 94 / V-0/1.5)
Rated Current	

### Specifications

Test voltage (kV rms):	1.4
Test voltage (kV dc):	2
Cable type:	RG 59 B/U

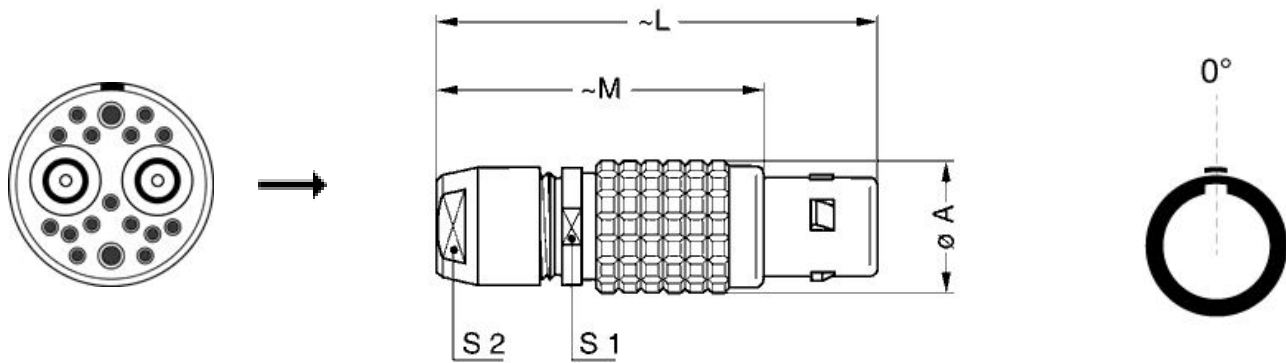
### Others

Endurance (Shell):	5000
Temp (min / max):	-55° C / +250° C

LEMO products and services are provided "as is". LEMO makes no warranties or representations with regard to LEMO product & services or use of them, express, implied or statutory, including for accuracy, completeness, or security. The user is fully responsible for his products and applications using LEMO components.

Humidity (max): <=95% [at 60 deg C /140 F]  
 Vibration: 15 g [10 Hz - 2000 Hz]  
 Shock Resistance: 100 g [ 6 ms]  
 Climatical Category: 50/175/21  
 Shielding (min): 75 dB (10 MHz)  
 Shielding (min): 40 dB (1 GHz)  
 Salt Spray Corrosion: >1000 hr

## DRAWINGS



### Dimensions

	A	L	M	S1	S2
mm.	35	103	78	31	30
in.	1,38	4,06	3,07	1,22	1,18

## RECOMMENDED BY LEMO

### Tools

Extractor: [DCC.91.804.5LA](#)  
 Die Tool: [DPE.99.127.0K](#)  
 Caps: [BFG.5B.100.NAS](#)

*LEMO products and services are provided "as is". LEMO makes no warranties or representations with regard to LEMO product & services or use of them, express, implied or statutory, including for accuracy, completeness, or security. The user is fully responsible for his products and applications using LEMO components.*

*LEMO products and services are provided "as is". LEMO makes no warranties or representations with regard to LEMO product & services or use of them, express, implied or statutory, including for accuracy, completeness, or security. The user is fully responsible for his products and applications using LEMO components.*