

HD34-24-31PT-059 ✓ ACTIVE

DEUTSCH | DEUTSCH HD, DEUTSCH HD30

TE Internal #: HD34-24-31PT-059

Housing for Male Terminals, Wire-to-Wire, 31 Position, Sealable, Wire & Cable, Power & Signal, Panel Mount / Cable Mount (Free-Hanging), Hybrid

[View on TE.com >](#)



Connectors > Automotive Connectors > Automotive Housings > DEUTSCH HD30 Housings



Connector & Housing Type: **Housing for Male Terminals**

Mating Pin Diameter: **1.59 mm [.063 in]**

Connector System: **Wire-to-Wire**

Number of Positions: **31**

Sealable: **Yes**

[All DEUTSCH HD30 Housings \(358\)](#)

Features

Product Type Features

Connector Shape	Circular
Connector & Housing Type	Housing for Male Terminals
Connector System	Wire-to-Wire
Sealable	Yes
Hybrid Connector	No
Primary Locking Feature	Contact Retainer
Connector & Contact Terminates To	Wire & Cable

Configuration Features

Blank Cavity Position	0
Connector Modification	Cable Clamp
Connector Seal Code	T Seal
Number of Positions	31

Electrical Characteristics

Operating Voltage	250 VAC
Nominal Voltage Architecture	12 V, 24 V

Body Features



Cable Exit Angle	180°
------------------	------

Contact Features

Contact Size	Size 16
--------------	---------

Contact Type	Pin
--------------	-----

Mating Pin Diameter	1.59 mm[.063 in]
---------------------	------------------

Contact Current Rating (Max)	13 A
------------------------------	------

Mechanical Attachment

Terminal Position Assurance	No
-----------------------------	----

Strain Relief	With
---------------	------

Mating Alignment Type	Not Keyed
-----------------------	-----------

Mating Alignment	Without
------------------	---------

Connector Mounting Type	Cable Mount (Free-Hanging), Panel Mount
-------------------------	---

Housing Features

Housing Material	Aluminum
------------------	----------

Dimensions

Connector Height	47.53 mm[1.875 in]
------------------	--------------------

Product Width	50.8 mm[2 in]
---------------	---------------

Product Length	84.28 mm[3.318 in]
----------------	--------------------

Accepts Insulation Diameter Range	2.23 – 2.69 mm[.088 – .106 in]
-----------------------------------	--------------------------------

Usage Conditions

Operating Temperature (Max)	125 °C[257 °F]
-----------------------------	----------------

Operating Temperature Range	-55 – 125 °C[-67 – 257 °F]
-----------------------------	----------------------------

Operation/Application

Circuit Application	Power & Signal
---------------------	----------------

Industry Standards

Degree of Protection	IP67
----------------------	------

Packaging Features

Packaging Quantity	80
--------------------	----

Packaging Method	Box
------------------	-----

Other

Serviceable	Yes
-------------	-----



Connector Position Assurance Capable

No

Product Compliance

[For compliance documentation, visit the product page on TE.com>](#)

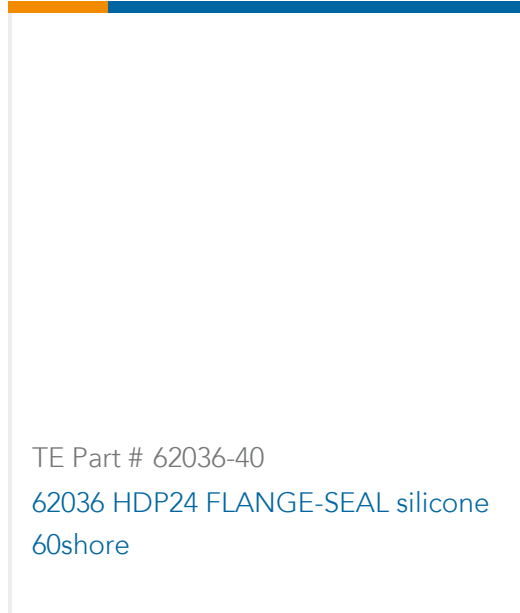
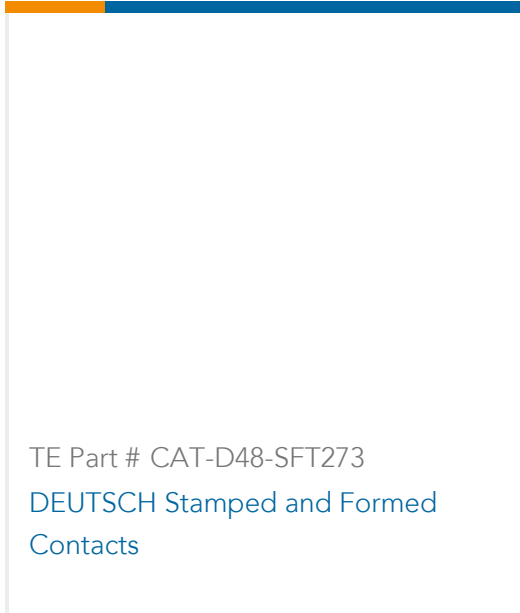
EU RoHS Directive 2011/65/EU	Compliant
EU ELV Directive 2000/53/EC	Compliant
China RoHS 2 Directive MIIT Order No 32, 2016	No Restricted Materials Above Threshold
EU REACH Regulation (EC) No. 1907/2006	Current ECHA Candidate List: JAN 2023 (233) Candidate List Declared Against: JAN 2023 (233) Does not contain REACH SVHC
Halogen Content	Not Low Halogen - contains Br or Cl > 900 ppm.
Solder Process Capability	Not reviewed for solder process capability

Product Compliance Disclaimer

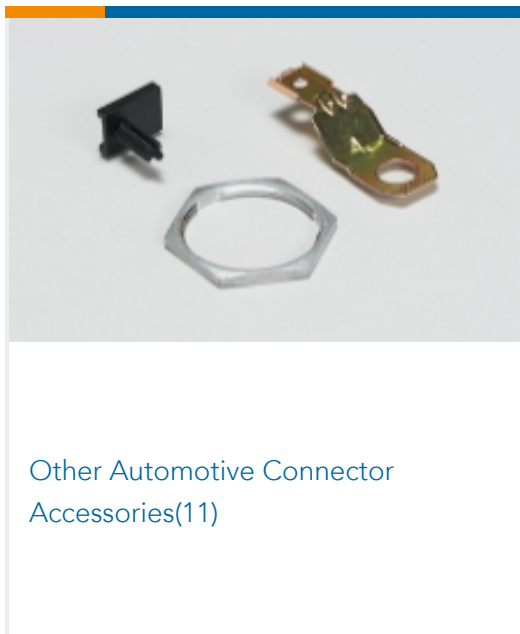
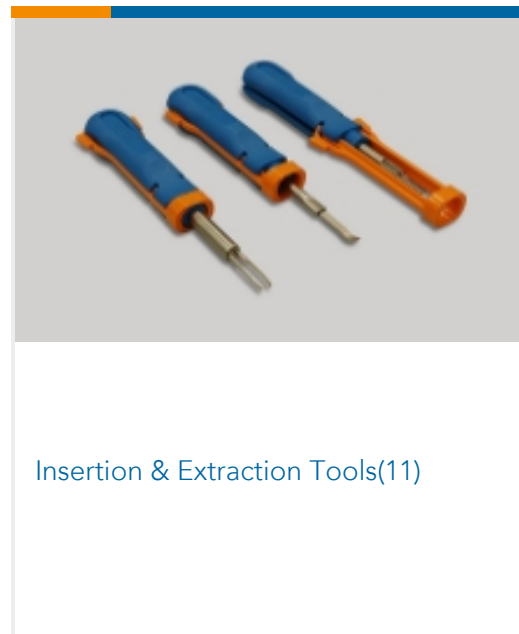
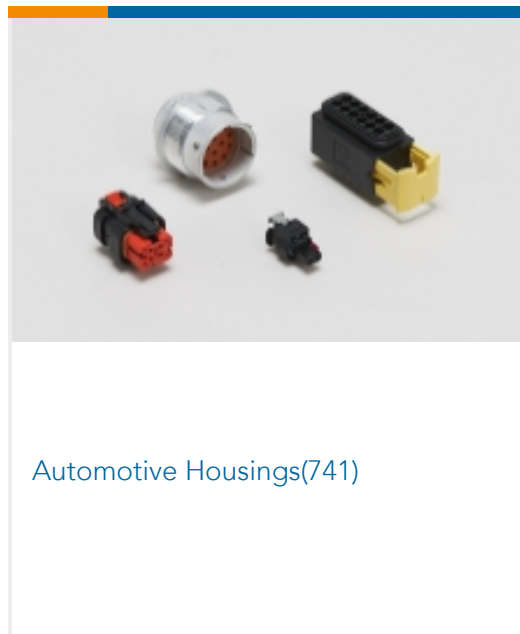
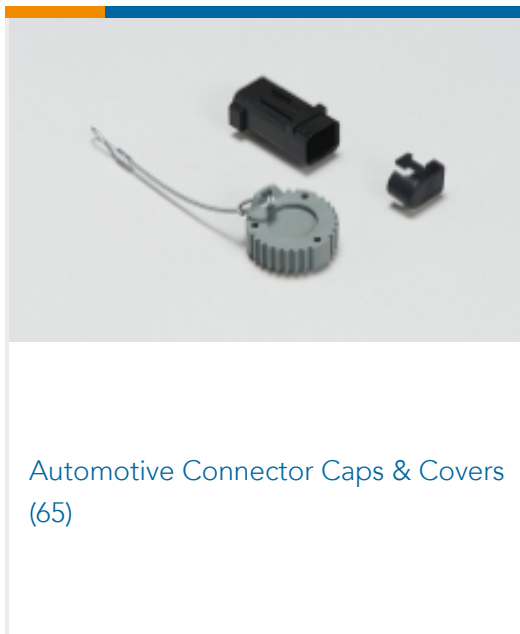
This information is provided based on reasonable inquiry of our suppliers and represents our current actual knowledge based on the information they provided. This information is subject to change. The part numbers that TE has identified as EU RoHS compliant have a maximum concentration of 0.1% by weight in homogenous materials for lead, hexavalent chromium, mercury, PBB, PBDE, DBP, BBP, DEHP, DIBP, and 0.01% for cadmium, or qualify for an exemption to these limits as defined in the Annexes of Directive 2011/65/EU (RoHS2). Finished electrical and electronic equipment products will be CE marked as required by Directive 2011/65/EU. Components may not be CE marked. Additionally, the part numbers that TE has identified as EU ELV compliant have a maximum concentration of 0.1% by weight in homogenous materials for lead, hexavalent chromium, and mercury, and 0.01% for cadmium, or qualify for an exemption to these limits as defined in the Annexes of Directive 2000/53/EC (ELV). Regarding the REACH Regulation, the information TE provides on SVHC in articles for this part number is based on the latest European Chemicals Agency (ECHA) 'Guidance on requirements for substances in articles' posted at this URL: <https://echa.europa.eu/guidance-documents/guidance-on-reach>

Compatible Parts

 <p>TE Part # CAT-H3930-CH8172 DEUTSCH HD30 Housings</p>	 <p>TE Part # CAT-H3930-RC8382 Receptacle Protective Caps - DEUTSCH HD30</p>	 <p>TE Part # CAT-D48-ST273 DEUTSCH Solid Contacts</p>	 <p>TE Part # CAT-H3930-M8649 Mounting Hardware for DEUTSCH HD30 Connectors</p>
---	---	---	--



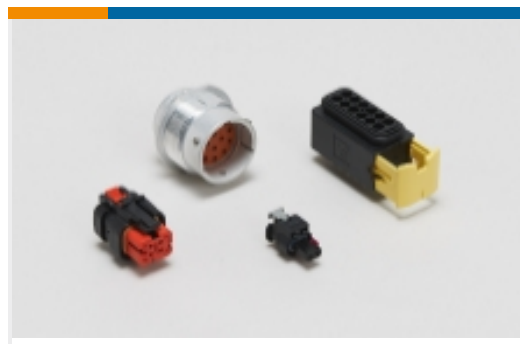
Also in the Series | **DEUTSCH HD**



Also in the Series | **DEUTSCH HD30**



Automotive Connector Caps & Covers (20)



Automotive Housings(358)



Automotive Seals & Cavity Plugs(11)



Insertion & Extraction Tools(10)



Other Automotive Connector Accessories(6)

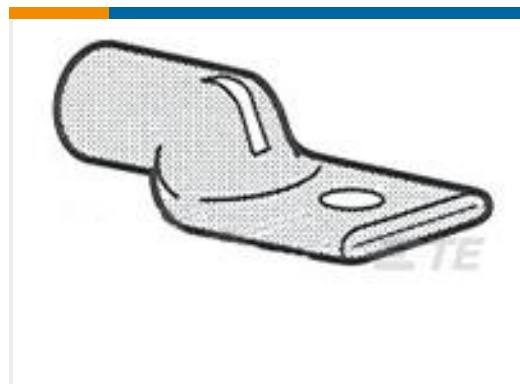
Customers Also Bought



TE Part #HD36-24-31ST-059
DEUTSCH HD30 Housings



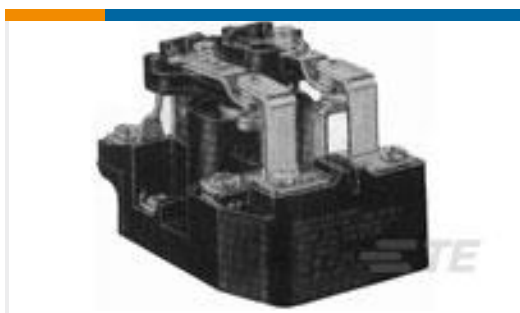
TE Part #DT06-12SD-EP06
PLG, 12P, BRN, N, SEAL RET,ENH KEY, CAP,D



TE Part #325301
TERMINAL,AMPOWER 1/0 1/4



TE Part #HDP24-24-19PE-L017
REC, 19P, BLK, E, RNG, 12/16, P



TE Part #5-1393127-5
PRD-11DJ0-24=PRD



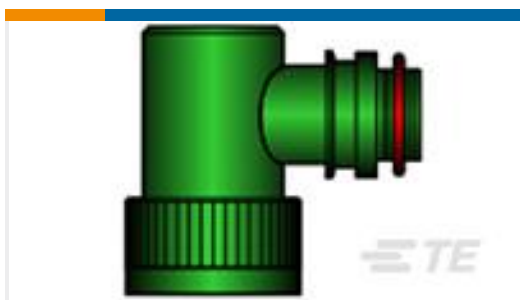
TE Part #YDIV40E21-11SDC009
RECP ASSY



TE Part #YDIV40E21-11SBC009
RECP ASSY



TE Part #610004N003
D-300-01CS834



TE Part #CA5227-000
TXR40SC90-1006AI-CS4000

Documents



Product Drawings

[REC,31P,AL,T, CBL CLMP BT, DRAIN,16,P,MC](#)

English

CAD Files

[3D PDF](#)

3D

Customer View Model

[ENG_CVM_CVM_HD34-24-31PT-059_99_c-hd34-24-31pt-059-99.2d_dxf.zip](#)

English

Customer View Model

[ENG_CVM_CVM_HD34-24-31PT-059_99_c-hd34-24-31pt-059-99.3d_igs.zip](#)

English

Customer View Model

[ENG_CVM_CVM_HD34-24-31PT-059_99_c-hd34-24-31pt-059-99.3d_stp.zip](#)

English

By downloading the CAD file I accept and agree to the [Terms and Conditions](#) of use.

Product Specifications

[Application Specification](#)

English