

Click [here](#) to ask about the production status of specific part numbers.

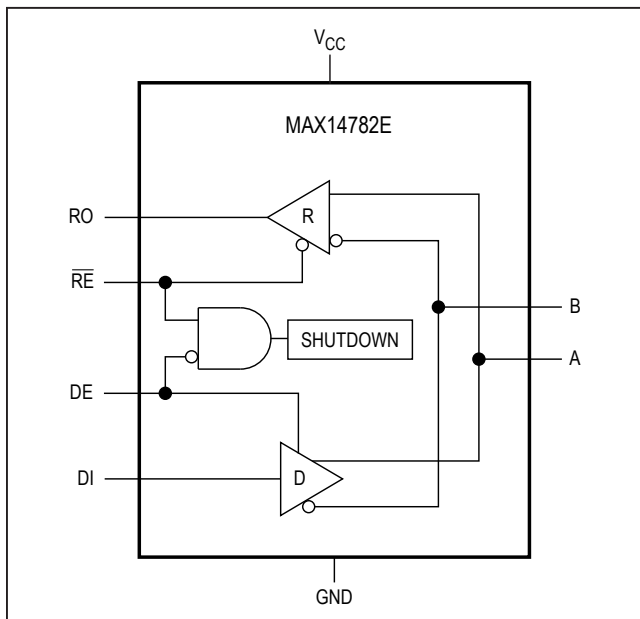
## MAX14782E

## 500Kbps 3.3V to 5V RS-485/RS-422 Transceiver with $\pm 35\text{kV}$ HBM ESD Protection

### General Description

The MAX14782E is a half duplex RS-485/422 transceiver that operates at either 3.3V or 5V rails with high  $\pm 35\text{kV}$  ESD performance and up to 500kbps data rate.

### Functional Diagram



### Benefits and Features

- Integrated Protection Increases End Equipment Up-Time
  - High ESD Protection
    - $\pm 35\text{kV}$  HBM ESD per JEDEC JS-001-2012
    - $\pm 20\text{kV}$  Air Gap ESD per IEC 61000-4-2
    - $\pm 12\text{kV}$  Contact ESD per IEC 61000-4-2
  - $\pm 4\text{kV}$  EFT per IEC 61000-4-4
  - Short-Circuit-Protected Outputs
  - True Fail-Safe Receiver Prevents False Transition-on Receiver Input Short or Open Events
  - Hot-Swap Capability Eliminates False Transitions During Power-Up or Hot Insertion
- 3V to 5.5V Supply Voltage Range
- Data Rates up to 500kbps
- $-40^{\circ}\text{C}$  to  $+125^{\circ}\text{C}$  Operating Temperature
- Allows Up to 32 Transceivers On the Bus
- Low  $10\mu\text{A}$  (max) Shutdown Current for Lower Power Consumption

### Applications

- Motion Controllers
- Field Bus Networks
- Encoder Interfaces
- Backplane Buses

[Ordering Information/Selector Guide](#) appear at end of data sheet.

### Absolute Maximum Ratings

(Voltages referenced to GND.)

V <sub>CC</sub> .....	-0.3V to +6.0V
RO .....	-0.3V to (V <sub>CC</sub> + 0.3V)
RE, DE, DI .....	-0.3V to +6.0V
A, B (V <sub>CC</sub> ≥ 3.6V) .....	-8.0V to +13.0V
A, B (V <sub>CC</sub> < 3.6V) .....	-9.0V to +13.0V
Short-Circuit Duration (RO, A, B) to GND .....	Continuous
Operating Temperature Range	
MAX14782EA_ .....	-40°C to +125°C

Junction Temperature .....	+150°C
Storage Temperature Range .....	-65°C to +150°C
Continuous Power Dissipation (T <sub>A</sub> = +70°C)	
SO (derate at 7.6mW/°C above +70°C) .....	606mW
TDFN-EP (derate at 24.4mW/°C above +70°C) .....	1951mW
μMAX (derate at 4.8mW/°C above +70°C) .....	387mW
Lead Temperature (soldering, 10s) .....	+300°C
Soldering Temperature (reflow) .....	+260°C

Stresses beyond those listed under "Absolute Maximum Ratings" may cause permanent damage to the device. These are stress ratings only, and functional operation of the device at these or any other conditions beyond those indicated in the operational sections of the specifications is not implied. Exposure to absolute maximum rating conditions for extended periods may affect device reliability.

### Package Information

<b>PACKAGE TYPE: 8 SO</b>	
Package Code	S8+4
Outline Number	<a href="#">21-0041</a>
Land Pattern Number	<a href="#">90-0096</a>
<b>THERMAL RESISTANCE, FOUR-LAYER BOARD</b>	
Junction to Ambient (θ <sub>JA</sub> )	132°C/W
Junction to Case (θ <sub>JC</sub> )	38°C/W

<b>PACKAGE TYPE: 8 TDFN</b>	
Package Code	T833+2
Outline Number	<a href="#">21-0137</a>
Land Pattern Number	<a href="#">90-0059</a>
<b>THERMAL RESISTANCE, FOUR-LAYER BOARD</b>	
Junction to Ambient (θ <sub>JA</sub> )	41°C/W
Junction to Case (θ <sub>JC</sub> )	8°C/W

<b>PACKAGE TYPE: 8 μMAX</b>	
Package Code	U8+1
Outline Number	<a href="#">21-0036</a>
Land Pattern Number	<a href="#">90-0092</a>
<b>THERMAL RESISTANCE, FOUR-LAYER BOARD</b>	
Junction to Ambient (θ <sub>JA</sub> )	206°C/W
Junction to Case (θ <sub>JC</sub> )	42°C/W

For the latest package outline information and land patterns (footprints), go to [www.maximintegrated.com/packages](http://www.maximintegrated.com/packages). Note that a "+", "#", or "-" in the package code indicates RoHS status only. Package drawings may show a different suffix character, but the drawing pertains to the package regardless of RoHS status.

Package thermal resistances were obtained using the method described in JEDEC specification JESD51-7, using a four-layer board. For detailed information on package thermal considerations, refer to [www.maximintegrated.com/thermal-tutorial](http://www.maximintegrated.com/thermal-tutorial).

## Electrical Characteristics

( $V_{CC} = +3.0\text{V}$  to  $+5.5\text{V}$ ,  $T_A = T_{MIN}$  to  $T_{MAX}$ , unless otherwise specified. Typical values are at  $V_{CC} = +5\text{V}$  and  $T_A = +25^\circ\text{C}$ .) (Notes 1, 2)

PARAMETER	SYMBOL	CONDITIONS	MIN	TYP	MAX	UNITS
<b>POWER SUPPLY</b>						
Supply Voltage	$V_{CC}$		3.0		5.5	V
Supply Current	$I_{CC}$	DE = $V_{CC}$ , $\overline{RE} = \text{GND}$ , no load		1.9	4	mA
Shutdown Supply Current	$I_{SHDN}$	DE = GND, $\overline{RE} = V_{CC}$			10	$\mu\text{A}$
<b>DRIVER</b>						
Differential Driver Output	$V_{OD}$	$V_{CC} = 4.5\text{V}$ , $R_L = 54\Omega$ , Figure 1	2.1		V	
		$V_{CC} = 3\text{V}$ , $R_L = 100\Omega$ , Figure 1	2.0			
		$V_{CC} = 3\text{V}$ , $R_L = 54\Omega$ , Figure 1	1.5			
Change in Magnitude of Differential Output Voltage	$\Delta V_{OD}$	$R_L = 54\Omega$ or $100\Omega$ , Figure 1 (Note 3)	-0.2	0	+0.2	V
Driver Common-Mode Output Voltage	$V_{OC}$	$R_L = 54\Omega$ or $100\Omega$ , Figure 1		$V_{CC} / 2$	3	V
Change in Magnitude of Common-Mode Voltage	$\Delta V_{OC}$	$R_L = 54\Omega$ or $100\Omega$ , Figure 1 (Note 3)	-0.2		+0.2	V
Single-Ended Driver Output High	$V_{OH}$	A or B output, $I_{A \text{ or } B} = -20\text{mA}$	2.2			V
Single-Ended Driver Output Low	$V_{OL}$	A or B output, $I_{A \text{ or } B} = 20\text{mA}$			0.8	V
Differential Output Capacitance	$C_{OD}$	DE = $\overline{RE} = V_{CC}$ , $f = 4\text{MHz}$		12		pF
Driver Short-Circuit Output Current	$ I_{OST} $	$0 \leq V_{OUT} \leq +12\text{V}$ , output low			250	mA
		$-7\text{V} \leq V_{OUT} \leq V_{CC}$ , output high			250	
<b>RECEIVER</b>						
Input Current	$I_{A, B}$	DE = GND, $V_{CC} = \text{GND}$ or $+5.5\text{V}$	$V_{IN} = +12\text{V}$	400	1000	$\mu\text{A}$
			$V_{IN} = -7\text{V}$	-800	+300	
Differential Input Capacitance	$C_{A, B}$	Between A and B, DE = GND, $f = 4\text{MHz}$		12		pF
Receiver Differential Threshold Voltage	$V_{TH}$	$-7\text{V} \leq V_{CM} \leq +12\text{V}$	-200	-105	-10	mV
Receiver Input Hysteresis	$\Delta V_{TH}$	$V_{CM} = 0\text{V}$		10		mV
Receiver Input Resistance	$R_{IN}$	$-7\text{V} \leq V_{CM} \leq +12\text{V}$	12			k $\Omega$
<b>LOGIC INTERFACE (DI, DE, <math>\overline{RE}</math>, RO)</b>						
Input-Voltage High	$V_{IH}$	DE, DI, $\overline{RE}$	2.0			V
Input-Voltage Low	$V_{IL}$	DE, DI, $\overline{RE}$			0.8	V
Input Hysteresis	$V_{HYS}$	DE, DI, $\overline{RE}$		50		mV
Input Current	$I_{IN}$	DE, DI, $\overline{RE}$			$\pm 1$	$\mu\text{A}$
Input Impedance on First Transition		DE, $\overline{RE}$	1		10	k $\Omega$
RO Output-Voltage High	$V_{OHRO}$	$\overline{RE} = \text{GND}$ , $I_{RO} = -2\text{mA}$ , $(V_A - V_B) > 200\text{mV}$	$V_{CC} - 0.4$			V
RO Output-Voltage Low	$V_{OLRO}$	$\overline{RE} = \text{GND}$ , $I_{RO} = 2\text{mA}$ , $(V_A - V_B) < -200\text{mV}$			0.4	V

**Electrical Characteristics (continued)**(V<sub>CC</sub> = +3.0V to +5.5V, T<sub>A</sub> = T<sub>MIN</sub> to T<sub>MAX</sub>, unless otherwise specified. Typical values are at V<sub>CC</sub> = +5V and T<sub>A</sub> = +25°C.) (Notes 1, 2)

PARAMETER	SYMBOL	CONDITIONS	MIN	TYP	MAX	UNITS
Receiver Three-State Output Current	I <sub>OZR</sub>	$\overline{RE} = V_{CC}, 0 \leq V_{RO} \leq V_{CC}$			±1	μA
Receiver Output Short-Circuit Current	I <sub>OSR</sub>	$0 \leq V_{RO} \leq V_{CC}$			±110	mA
<b>PROTECTION</b>						
Thermal-Shutdown Threshold	T <sub>SHDN</sub>	Temperature rising		+160		°C
Thermal-Shutdown Hysteresis				15		°C
ESD Protection on A and B Pins		IEC 61000-4-2 Air-Gap Discharge to GND		±20		kV
		IEC 61000-4-2 Contact Discharge to GND		±12		
		Human Body Model		±35		
ESD Protection, All Other Pins		Human Body Model		±2		kV

**Switching Characteristics**(V<sub>CC</sub> = +3V to +5.5V, T<sub>A</sub> = T<sub>MIN</sub> to T<sub>MAX</sub>, unless otherwise specified. Typical values are at V<sub>CC</sub> = +5V and T<sub>A</sub> = +25°C.) (Notes 1, 2, 4)

PARAMETER	SYMBOL	CONDITIONS	MIN	TYP	MAX	UNITS
<b>DRIVER</b>						
Driver Propagation Delay	t <sub>DPLH</sub>	R <sub>L</sub> = 54Ω, C <sub>L</sub> = 50pF, Figures 2 and 3			20	ns
	t <sub>DPHL</sub>				20	
Driver Differential Output Rise or Fall Time	t <sub>HL</sub> , t <sub>LH</sub>	R <sub>L</sub> = 54Ω, C <sub>L</sub> = 50pF, Figures 2 and 3	200		600	ns
Differential Driver Output Skew  t <sub>DPLH</sub> - t <sub>DPHL</sub>	t <sub>DSKEW</sub>	R <sub>L</sub> = 54Ω, C <sub>L</sub> = 50pF, Figures 2 and 3			140	ns
Maximum Data Rate	DR <sub>MAX</sub>		500			kbps
Driver Enable to Output High	t <sub>DZH</sub>	R <sub>L</sub> = 110Ω, C <sub>L</sub> = 50pF, Figures 4 and 5 (Note 5)			2500	ns
Driver Enable to Output Low	t <sub>DZL</sub>	R <sub>L</sub> = 110Ω, C <sub>L</sub> = 50pF, Figures 4 and 5 (Note 5)			2500	ns
Driver Disable Time from Low	t <sub>DLZ</sub>	R <sub>L</sub> = 110Ω, C <sub>L</sub> = 50pF, Figures 4 and 5			100	ns
Driver Disable Time from High	t <sub>DHZ</sub>	R <sub>L</sub> = 110Ω, C <sub>L</sub> = 50pF, Figures 4 and 5			100	ns
Driver Enable from Shutdown to Output High	t <sub>DLZ(SHDN)</sub>	R <sub>L</sub> = 110Ω, C <sub>L</sub> = 15pF, Figures 4 and 5 (Note 5)			5.5	μs
Driver Enable from Shutdown to Output Low	t <sub>DHZ(SHDN)</sub>	R <sub>L</sub> = 110Ω, C <sub>L</sub> = 15pF, Figures 4 and 5 (Note 5)			5.5	μs
Time to Shutdown	t <sub>SHDN</sub>	(Note 6)	50	340	700	ns

**Switching Characteristics MAX14782E (continued)**(V<sub>CC</sub> = +3V to +5.5V, T<sub>A</sub> = T<sub>MIN</sub> to T<sub>MAX</sub>, unless otherwise specified. Typical values are at V<sub>CC</sub> = +5V and T<sub>A</sub> = +25°C.) (Notes 1, 2, 4)

PARAMETER	SYMBOL	CONDITIONS	MIN	TYP	MAX	UNITS
<b>RECEIVER</b>						
Receiver Propagation Delay	t <sub>RPLH</sub>	C <sub>L</sub> = 15pF, Figures 6 and 7			200	ns
	t <sub>RPHL</sub>				200	
Receiver Output Skew	t <sub>RSKEW</sub>	C <sub>L</sub> = 15pF, Figures 6 and 7 (Note 6)			30	ns
Maximum Data Rate	DR <sub>MAX</sub>		500			kbps
Receiver Enable to Output High	t <sub>RZH</sub>	R <sub>L</sub> = 1k $\Omega$ , C <sub>L</sub> = 15pF, Figure 8 (Note 5)			50	ns
Receiver Enable to Output Low	t <sub>RZL</sub>	R <sub>L</sub> = 1k $\Omega$ , C <sub>L</sub> = 15pF, Figure 8 (Note 5)			50	ns
Receiver Disable Time from Low	t <sub>RLZ</sub>	R <sub>L</sub> = 1k $\Omega$ , C <sub>L</sub> = 15pF, Figure 8			50	ns
Receiver Disable Time from High	t <sub>RHZ</sub>	R <sub>L</sub> = 1k $\Omega$ , C <sub>L</sub> = 15pF, Figure 8			50	ns
Receiver Enable from Shutdown to Output High	t <sub>RLZ(SHDN)</sub>	R <sub>L</sub> = 1k $\Omega$ , C <sub>L</sub> = 15pF, Figure 8 (Note 5)			5.5	$\mu\text{s}$
Receiver Enable from Shutdown to Output Low	t <sub>RHZ(SHDN)</sub>	R <sub>L</sub> = 1k $\Omega$ , C <sub>L</sub> = 15pF, Figure 8 (Note 5)			5.5	$\mu\text{s}$
Time to Shutdown	t <sub>SHDN</sub>	(Note 6)	50	340	700	ns

**Note 1:** All devices 100% production tested at T<sub>A</sub> = +25°C. Specifications over temperature are guaranteed by design.**Note 2:** All currents into the device are positive; all currents out of the device are negative. All voltages are referenced to ground, unless otherwise noted.**Note 3:**  $\Delta V_{OD}$  and  $\Delta V_{OC}$  are the changes in V<sub>OD</sub> and V<sub>OC</sub>, respectively, when the DI input changes state.**Note 4:** Capacitive load includes test probe and fixture capacitance.**Note 5:** Guaranteed by design; not production tested.**Note 6:** The timing parameter refers to the driver or receiver enable delay, when the device has exited the initial hot-swap protect state and is in normal operating mode.

Test and Timing Diagrams

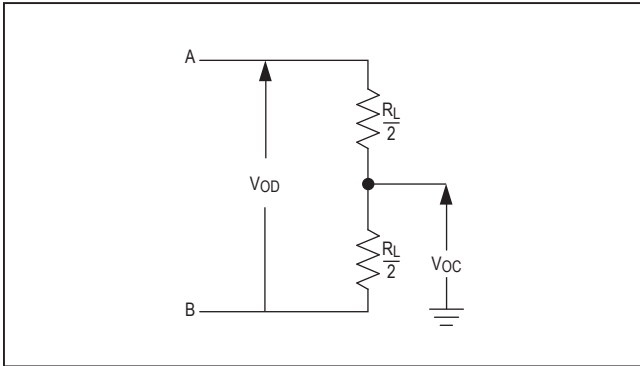


Figure 1. Driver DC Test Load

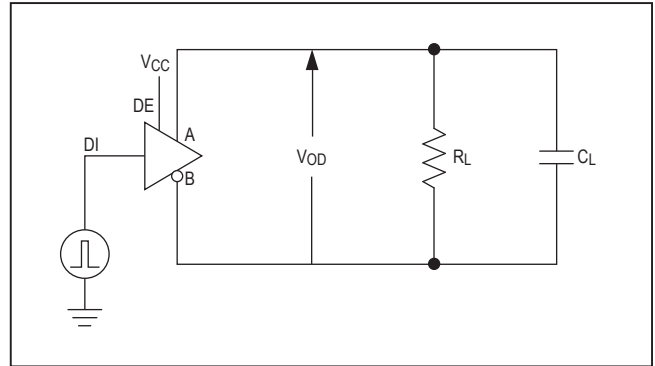


Figure 2. Driver Timing Test Circuit

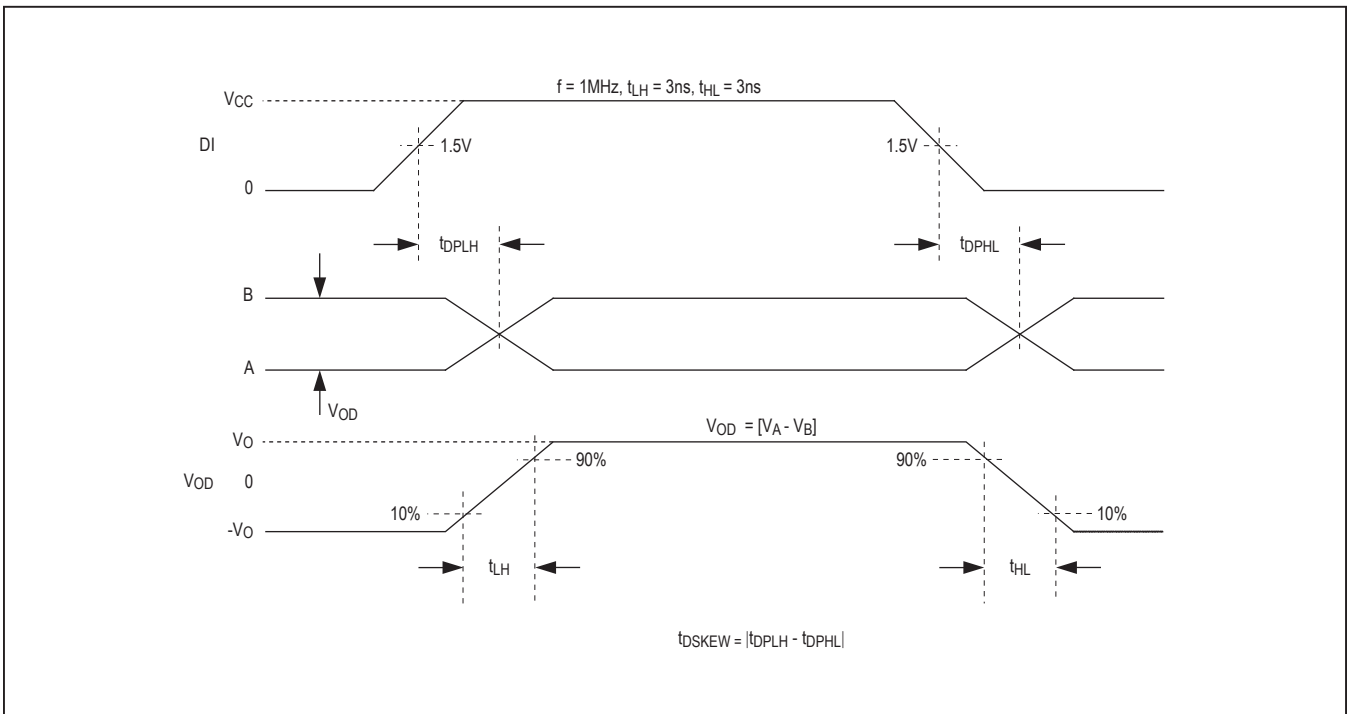


Figure 3. Driver Propagation Delays

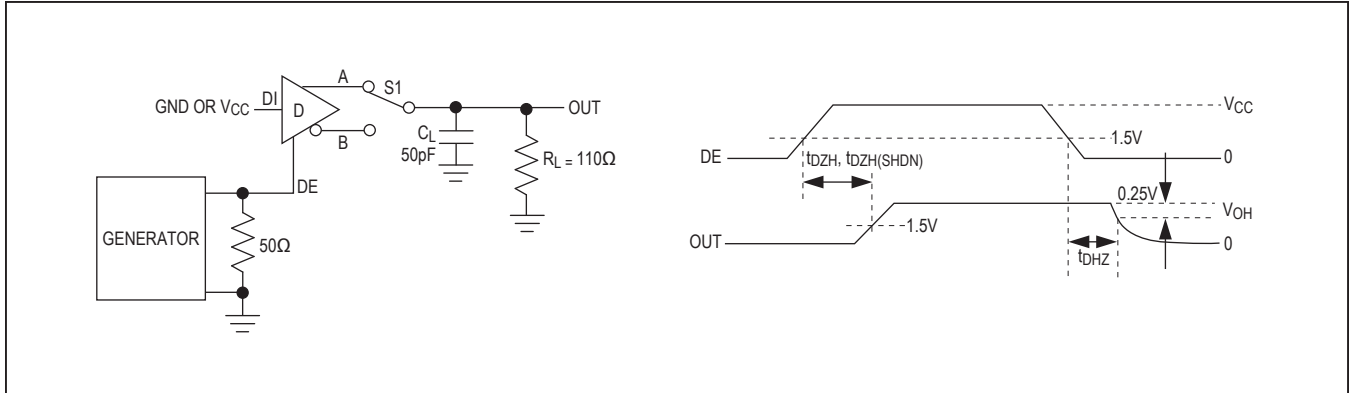


Figure 4. Driver Enable and Disable Times ( $t_{DZH}$ ,  $t_{DZH}$ )

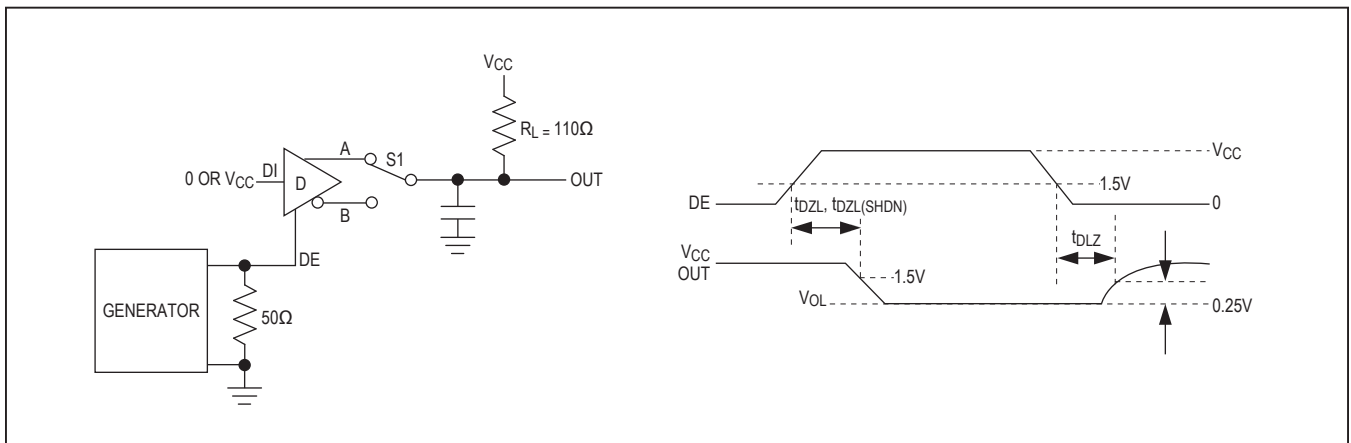


Figure 5. Driver Enable and Disable Times ( $t_{DZL}$ ,  $t_{DZL}$ )

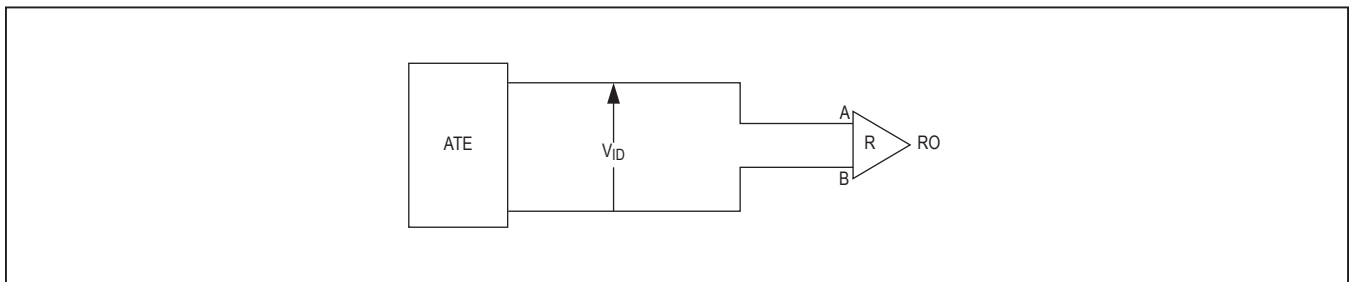


Figure 6. Receiver Propagation Delay Test Circuit

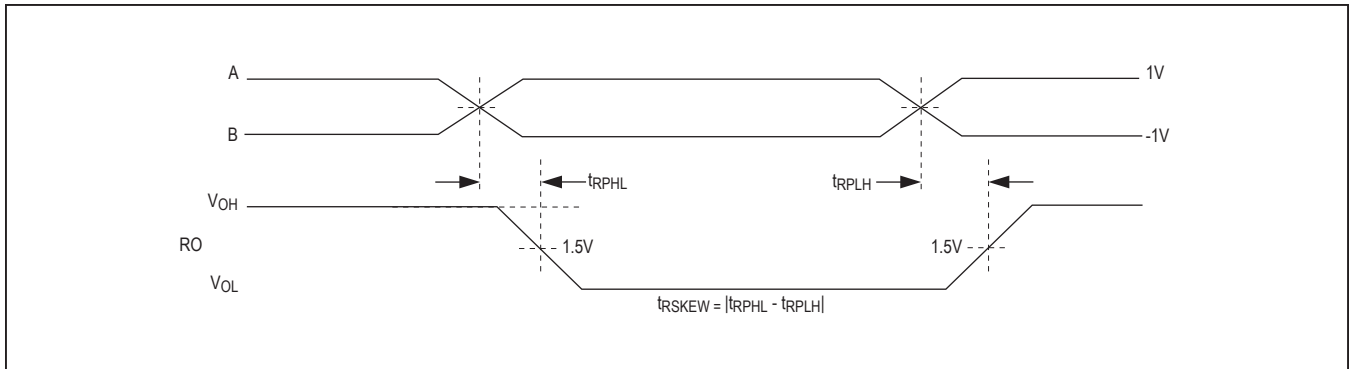


Figure 7. Receiver Propagation Delays

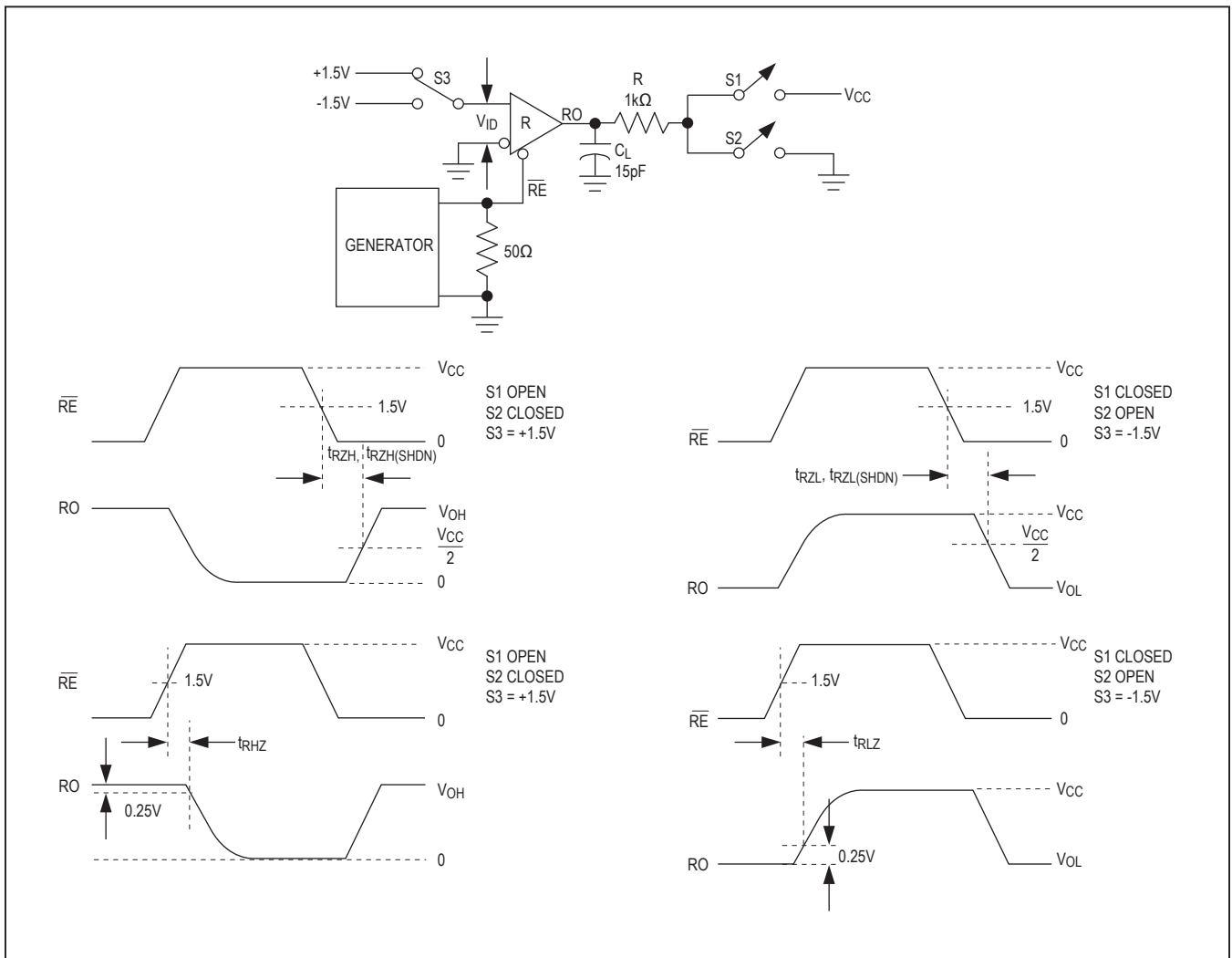
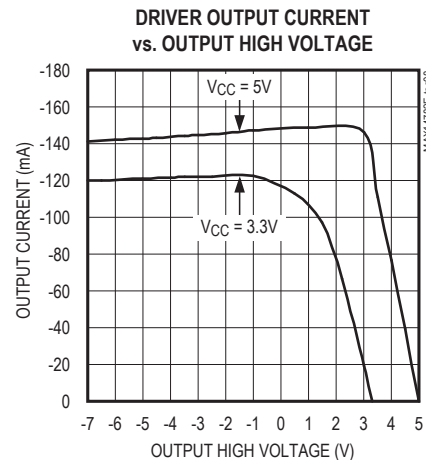
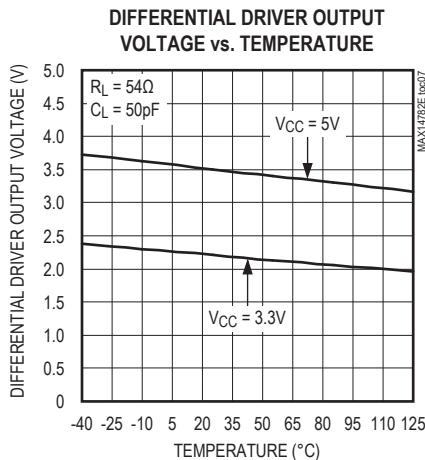
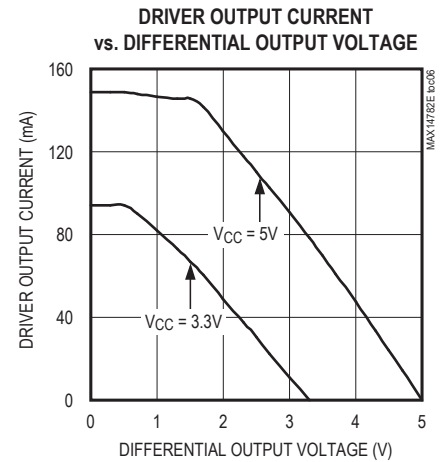
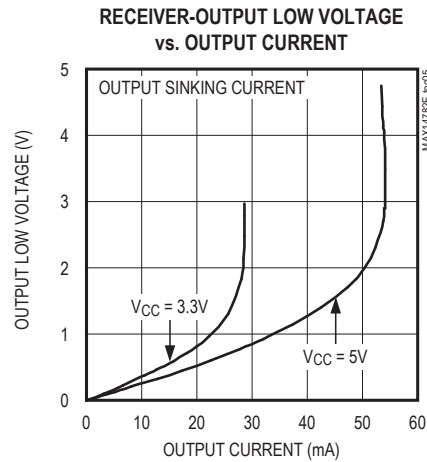
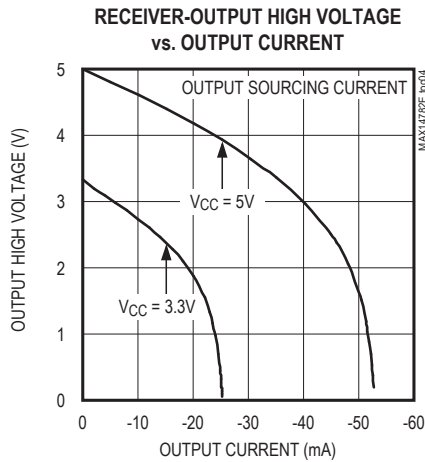
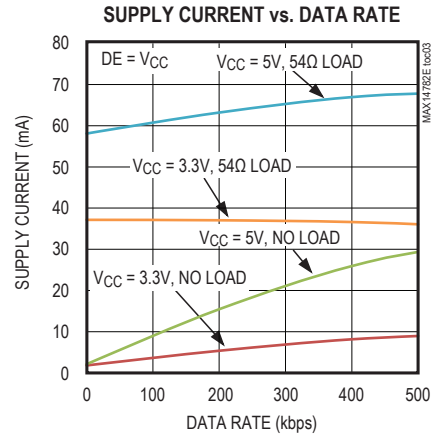
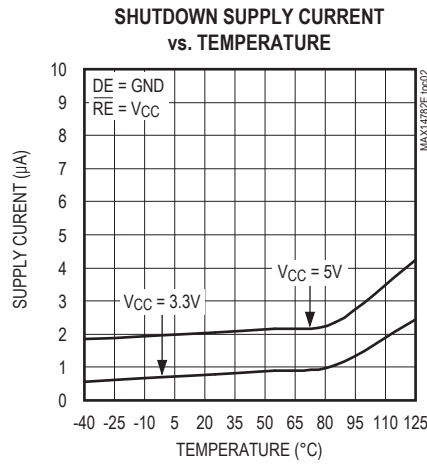
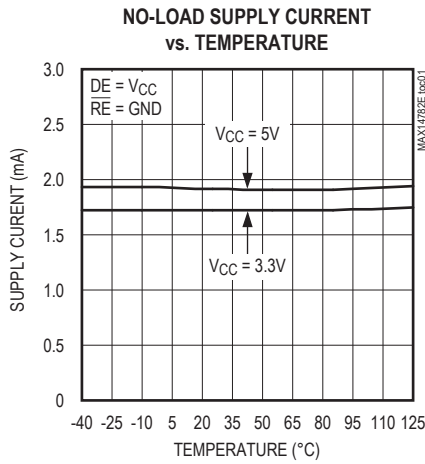


Figure 8. Receiver Enable and Disable Times



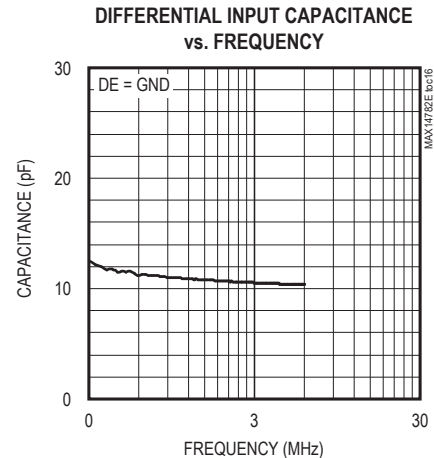
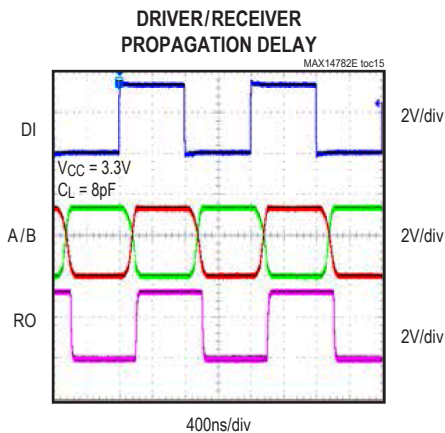
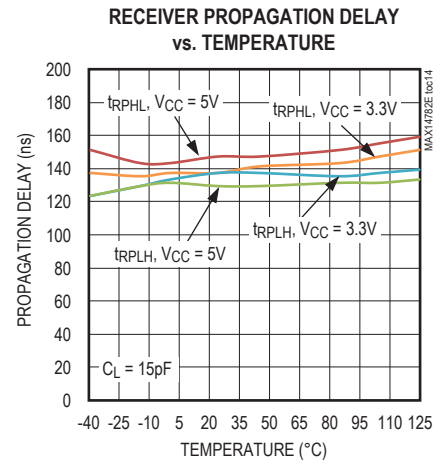
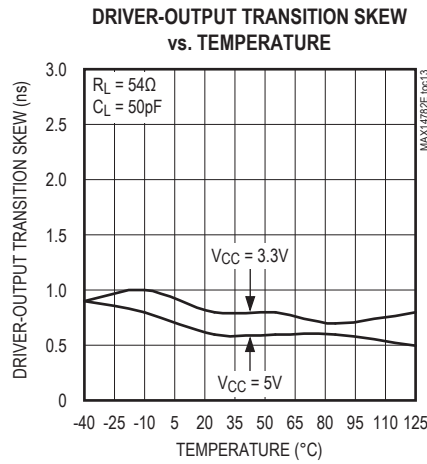
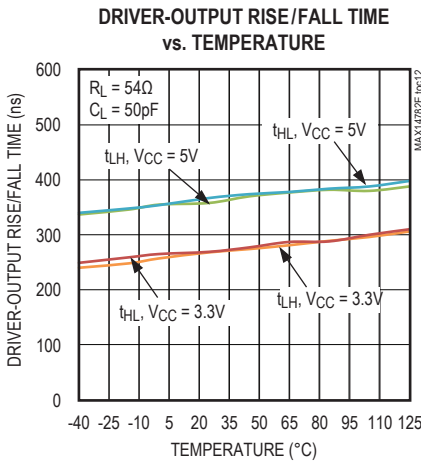
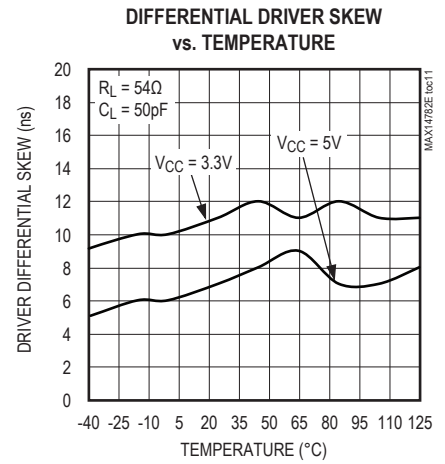
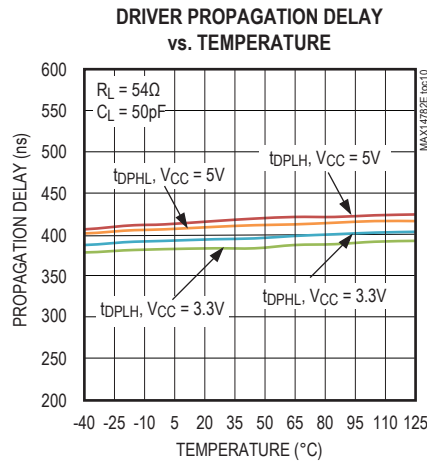
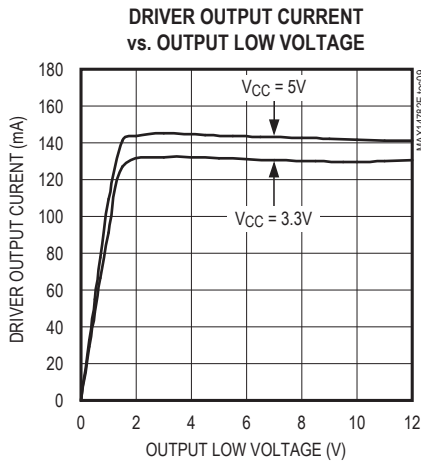
Typical Operating Characteristics

(V<sub>CC</sub> = +5V, T<sub>A</sub> = +25°C, unless otherwise specified.)

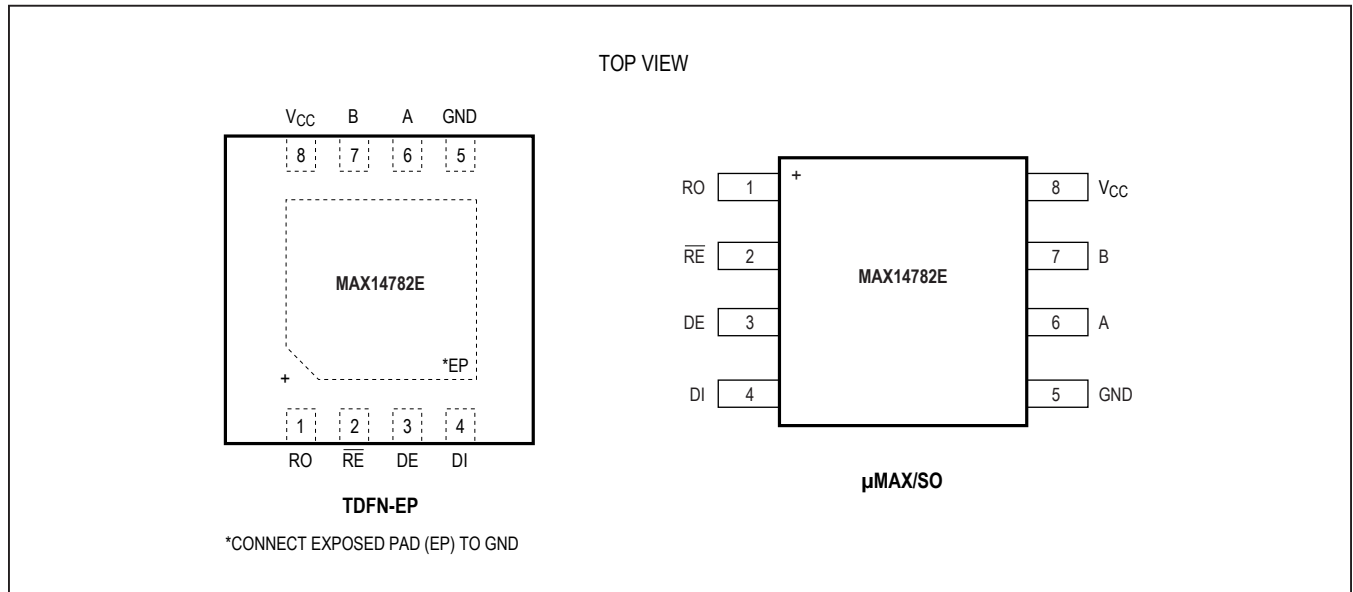


Typical Operating Characteristics (continued)

( $V_{CC} = +3.0\text{V}$  to  $+5.5\text{V}$ ,  $T_A = T_{MIN}$  to  $T_{MAX}$ , unless otherwise specified. Typical values are at  $V_{CC} = +5\text{V}$  and  $T_A = +25^\circ\text{C}$ .) (Notes 1, 2)



Pin Configuration



Pin Description

PIN	NAME	FUNCTION
1	RO	Receiver Output. See <i>Function Tables</i> .
2	$\overline{RE}$	Receiver Output Enable. Drive $\overline{RE}$ low to enable RO. Drive $\overline{RE}$ high to disable the receiver. RO is high impedance when $\overline{RE}$ is high. Drive $\overline{RE}$ high and pull DE low to enter low-power shutdown mode.
3	DE	Driver Output Enable. Drive DE high to enable the driver. Drive DE low to disable the driver. Driver outputs are high-impedance when the driver is disabled. Drive $\overline{RE}$ high and pull DE low to enter low-power shutdown mode.
4	DI	Driver Input. With DE high, a low on DI forces the A output low and the B output high. Similarly, a high on DI forces the A output high and B output low.
5	GND	Ground
6	A	Noninverting RS-485/RS-422 Receiver Input and Driver Output
7	B	Inverting RS-485/RS-422 Receiver Input and Driver Output
8	VCC	Positive Supply Voltage Input. Bypass VCC with a 0.1μF ceramic capacitor to ground.
—	EP	Exposed Pad (TDFN only). Connect EP to GND.

## Function Tables

TRANSMITTING					
INPUTS			OUTPUTS		MODE
RE	DE	DI	B	A	
X	1	1	0	1	Active
X	1	0	1	0	Active
0	0	X	High Impedance		Driver Disabled
1	0	X	High Impedance		Shutdown

RECEIVING					
INPUTS			OUTPUTS	MODE	
RE	DE	A-B	RO		
0	X	$\geq -10\text{mV}$	1	Active	
0	X	$\leq -200\text{mV}$	0	Active	
0	X	Open/Shorted	1	Active	
1	1	X	High Impedance		Receiver Disabled
1	0	X	High Impedance		Shutdown

X = Don't care

### Detailed Description

The MAX14782E is a 3.3V to 5V ESD-protected RS-485/RS-422 transceiver intended for high-speed, half-duplex communications. Integrated hot-swap functionality eliminates false transitions on the bus during power-up or hot insertion.

The device features fail-safe receiver inputs guaranteeing a logic-high receiver output when inputs are shorted or open. The IC has a 1-unit load receiver input impedance, allowing up to 32 transceivers on the bus.

### True Fail Safe

The MAX14782E guarantees a logic-high receiver output when the receiver inputs are shorted or open, or when they are connected to a terminated transmission line with all drivers disabled. If the differential receiver input voltage (A–B) is greater than or equal to -10mV, RO is logic-high.

### Driver Single-Ended Operation

The A and B outputs can either be used in the standard differential operating mode, or can be used as single-ended outputs. Since the A and B driver outputs swing rail-to-rail, they can individually be used as standard TTL logic outputs.

### Hot-Swap Capability

#### Hot-Swap Inputs

When circuit boards are inserted in a hot or powered backplane, disturbances on the enable inputs and differential receiver inputs can lead to data errors. Upon initial circuit board insertion, the processor undergoes its power-up sequence. During this period, the processor output drivers are high impedance and are unable to drive the DE and RE inputs of the MAX14782E to a defined logic level. Leakage currents up to 10µA from the high-impedance outputs of a controller could cause DE and RE to drift to an incorrect logic state. Additionally, parasitic circuit board capacitance could cause coupling of VCC or GND to DE and RE. These factors could improperly enable the driver or receiver. The MAX14782E features integrated hot-swap inputs that help to avoid these potential problems.

When VCC rises, an internal pulldown circuit holds DE low and RE high. After the initial power-up sequence, the pulldown circuit becomes transparent, resetting the hot-swap-tolerable inputs.

#### Hot-Swap Input Circuitry

The DE and RE enable inputs feature hot-swap capability. At the input, there are two nMOS devices, M1 and M2 (Figure 9). When VCC ramps from 0V, an internal 10µs timer turns on M2 and sets the SR latch that also turns

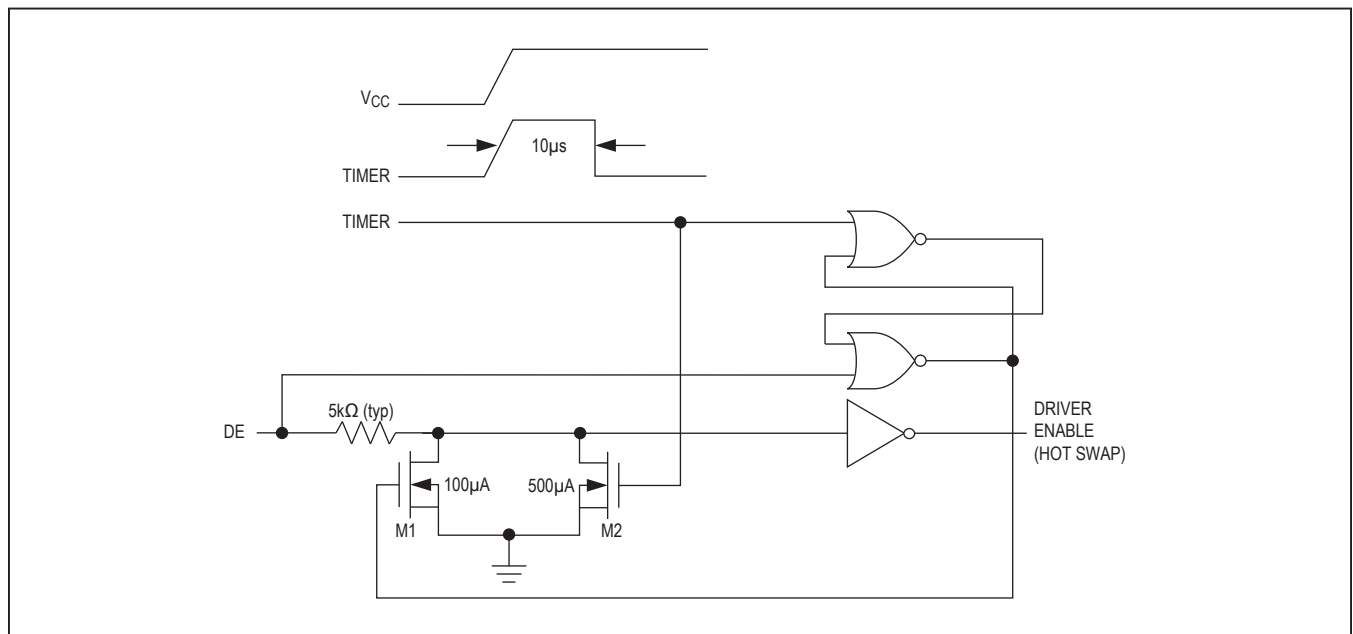


Figure 9. Simplified Structure of the Driver Enable (DE) Pin

on M1. Transistors M2 (a 500µA current sink) and M1 (a 100µA current sink) pull DE to GND through a 5kΩ (typ) resistor. M2 is designed to pull DE to the disabled state against an external parasitic capacitance up to 100pF that can drive DE high. After 10µs, the timer deactivates M2 while M1 remains on, holding DE low against three-state leakages that can drive DE high. M1 remains on until an external source overcomes the required input current. At this time, the SR latch resets and M1 turns off. When M1 turns off, DE reverts to a standard, high-impedance CMOS input. Whenever V<sub>CC</sub> drops below 1V, the hot-swap input is reset.

A complementary circuit employing two pMOS devices pulls RE to V<sub>CC</sub>.

**±35kV ESD Protection**

ESD protection structures are incorporated on all pins to protect against electrostatic discharges encountered during handling and assembly. The driver outputs and receiver inputs of the MAX14782E have extra protection against static electricity. The ESD structures withstand high ESD in all states: normal operation, shutdown, and powered down. After an ESD event, the MAX14782E keeps working without latch-up or damage.

ESD protection can be tested in various ways. The transmitter outputs and receiver inputs of the MAX14782E are characterized for protection to the following limits:

- ±35kV HBM
- ±20kV using the Air-Gap Discharge method specified in IEC 61000-4-2
- ±12kV using the Contact Discharge method specified in IEC 61000-4-2

**ESD Test Conditions**

ESD performance depends on a variety of conditions. Contact Maxim for a reliability report that documents test setup, test methodology, and test results.

**Human Body Model (HBM)**

Figure 10 shows the HBM, and Figure 11 shows the current waveform it generates when discharged into a low-impedance state. This model consists of a 100pF capacitor charged to the ESD voltage of interest, which is then discharged into the test device through a 1.5kΩ resistor.

**IEC 61000-4-2**

The IEC 61000-4-2 standard covers ESD testing and performance of finished equipment. However, it does not specifically refer to integrated circuits. The MAX14782E helps in designing equipment to meet IEC 61000-4-2 without the need for additional ESD protection components.

The major difference between tests done using the HBM and IEC 61000-4-2 is higher peak current in IEC 61000-4-2 because series resistance is lower in the IEC 61000-4-2 model. Hence, the ESD withstand voltage measured to IEC 61000-4-2 is generally lower than that measured using the HBM.

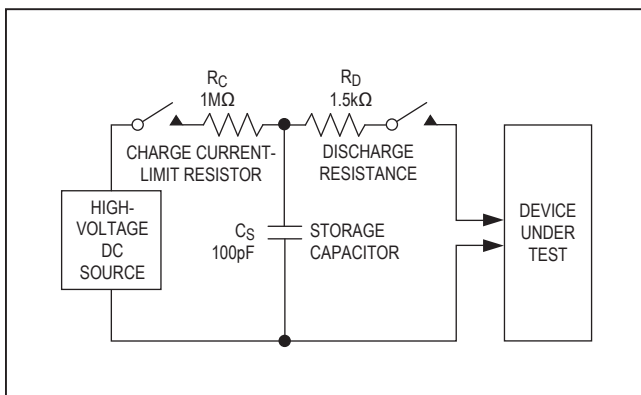


Figure 10. Human Body ESD Test Model

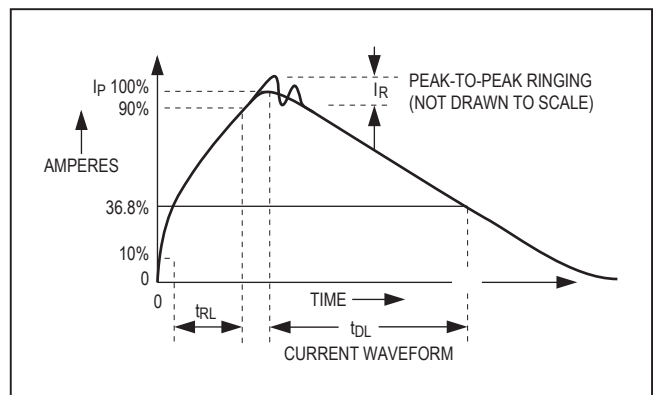


Figure 11. Human Body Current Waveform

Figure 12 shows the IEC 61000-4-2 model, and Figure 13 shows the current waveform for IEC 61000-4-2 ESD Contact Discharge test.

**Applications Information**

**Driver Output Protection**

Two mechanisms prevent excessive output current and power dissipation caused by faults or by bus connection. The first, a current limit on the output stage provides immediate protection against short circuits over the whole common-mode voltage range. The second, a thermal-shutdown circuit, forces the driver outputs into a high-impedance state if the die temperature exceeds +160°C (typ).

**Low-Power Shutdown Mode**

Low-power shutdown mode is initiated by bringing  $\overline{RE}$  high and DE low. In shutdown, the devices draw less than 10µA of supply current.

$\overline{RE}$  and DE can be connected together and driven simultaneously. The MAX14782E is guaranteed not to enter shutdown if  $\overline{RE}$  is high and DE is low for less than 50ns. If the inputs are in this state for at least 800ns (max), the device is guaranteed to enter shutdown.

**Typical Applications**

The MAX14782E transceiver is designed for bidirectional data communications on multipoint bus transmission lines. Figure 14 shows a typical network application circuit. To minimize reflections, terminate the line at both ends with its characteristic impedance and keep stub lengths off the main line as short as possible.

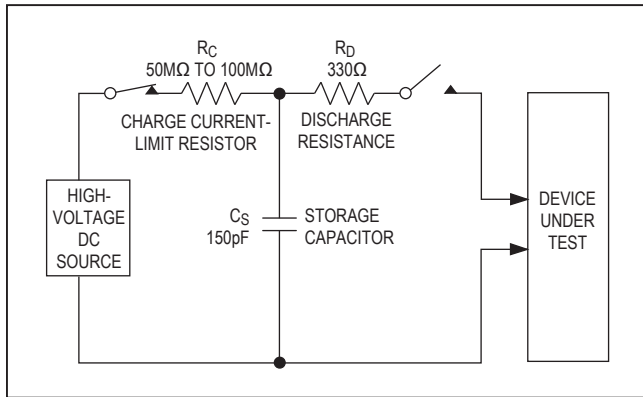


Figure 12. IEC 61000-4-2 ESD Test Model

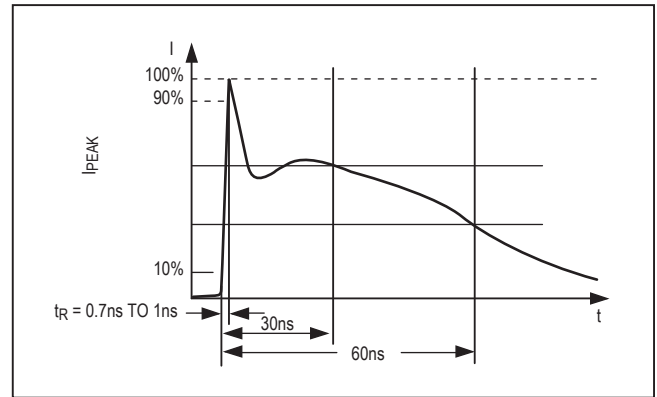


Figure 13. IEC 61000-4-2 ESD Generator Current Waveform

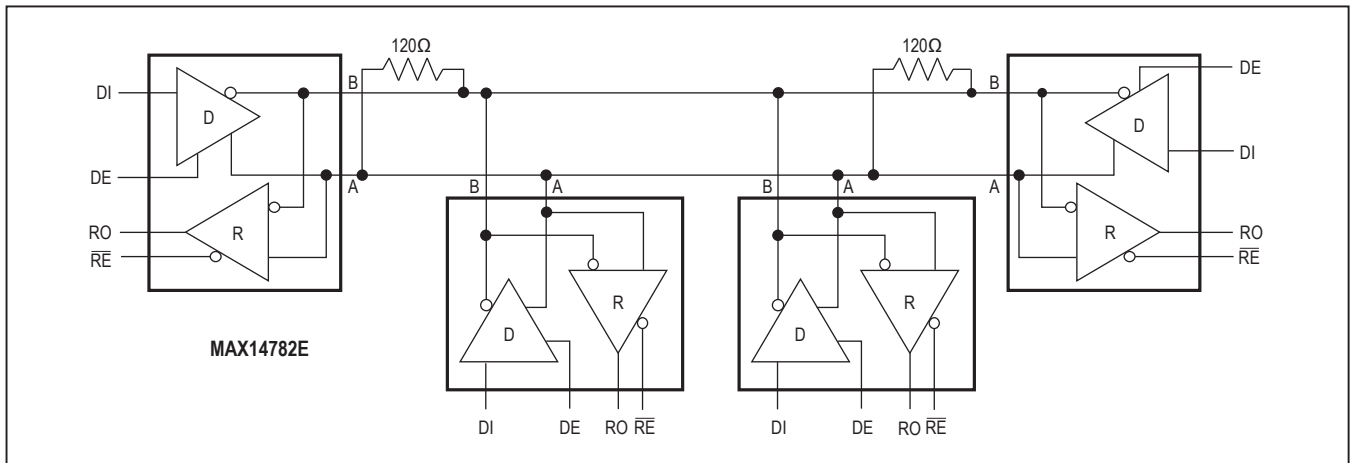


Figure 14. Typical Half-Duplex RS-485 Network

MAX14782E

500Kbps 3.3V to 5V RS-485/RS-422 Transceiver  
with  $\pm 35\text{kV}$  HBM ESD Protection

## Ordering Information/Selector Guide

PART	SUPPLY RANGE	DATA RATE (MAX)	TEMP RANGE	PIN-PACKAGE
MAX14782EASA+	3.0V to 5.5V	500kbps	-40°C to +125°C	8 SO
MAX14782EATA+	3.0V to 5.5V	500kbps	-40°C to +125°C	8 TDFN-EP*
MAX14782EAUJA+	3.0V to 5.5V	500kbps	-40°C to +125°C	8 $\mu$ MAX

*$\mu$ Max is a registered trademark of Maxim Integrated Products, Inc.*

*+Denotes lead(Pb)-free/RoHS-compliant package.*

*\*EP = Exposed paddle.*

## Chip Information

PROCESS: BiCMOS



## Revision History

REVISION NUMBER	REVISION DATE	DESCRIPTION	PAGES CHANGED
0	8/13	Initial release	—
1	1/15	Updated page 1 content	1
2	7/20	Updated the <i>Benefits and Features</i> and <i>Electrical Characteristics</i> sections	1, 3

For pricing, delivery, and ordering information, please visit Maxim Integrated's online storefront at <https://www.maximintegrated.com/en/storefront/storefront.html>.

Maxim Integrated cannot assume responsibility for use of any circuitry other than circuitry entirely embodied in a Maxim Integrated product. No circuit patent licenses are implied. Maxim Integrated reserves the right to change the circuitry and specifications without notice at any time. The parametric values (min and max limits) shown in the Electrical Characteristics table are guaranteed. Other parametric values quoted in this data sheet are provided for guidance.