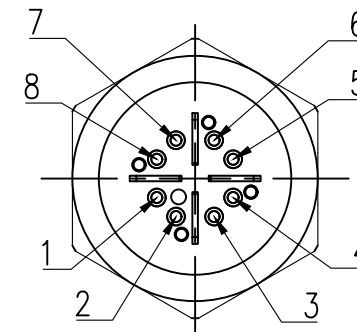
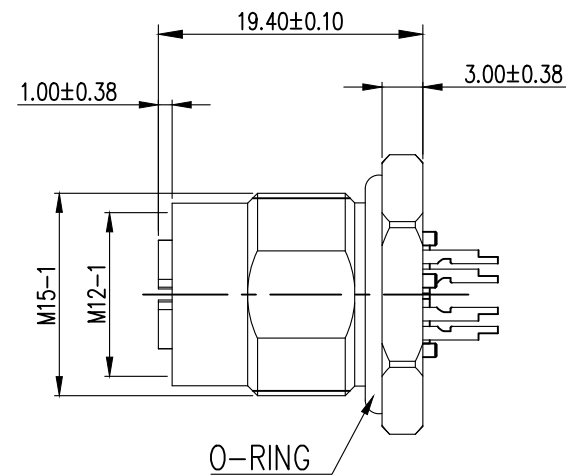
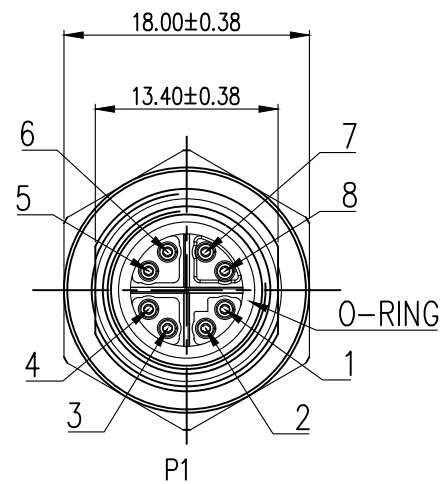
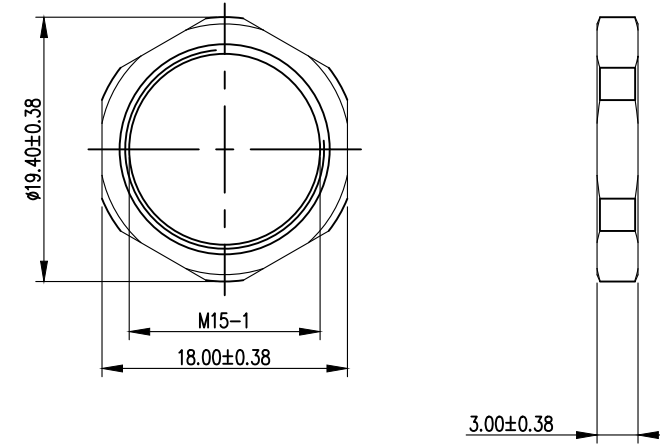
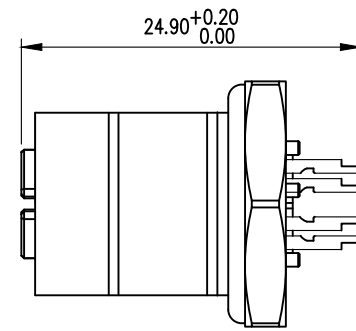
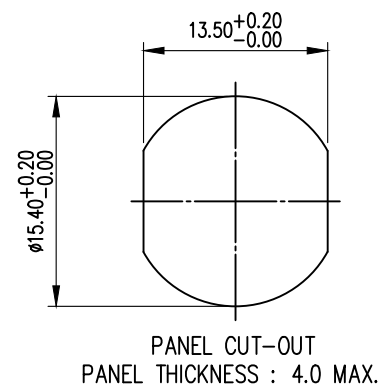


DATE	REV	REVISION CHANGES	EDN	APPD. BY
12/29/21	X0	INITIAL DRAWING	-	JMM
1/3/22	X1	CHANGED FORMAT TO METRIC	-	J.E
1/5/22	X2	ADDED ELECTRICAL SPECIFICATIONS	-	JMM
6/14/22	A0	INITIAL RELEASE	12001	JMM



NOTES:

- CONNECTOR MATERIALS:
HOUSING: PA9T
SOLDER CUP CONTACTS: PHOSPHOR BRONZE, GOLD PLATED
SHELL: BRASS, NICKEL PLATED
SEALING: NBR (INTERNAL) AND EPDM (EXTERNAL)
JAM NUT: BRASS, NICKEL PLATED
- CODING TYPE: X
- CURRENT RATING: 0.5 AMPS MAX PER CONTACT
- VOLTAGE RATING: 48V PER CONTACT
- DEGREE OF PROTECTION: IP68
- NUT TORQUE: 16 TO 18KG-CM

SS-12400-005
PART NUMBER

		11118 Susquehanna Trail South Glen Rock, PA 17327-9199 (717) 235-7512 http://www.stewartconnector.com	
		TITLE: M12 X-CODE, IP 68 VERTICAL PANEL MOUNT	
DO NOT SCALE DRAWING DRAWING IS SUBJECT TO CHANGE WITHOUT NOTICE	THIS DRAWING AND THE SUBJECT MATTER SHOWN THEREON ARE CONFIDENTIAL AND THE PROPRIETARY PROPERTY OF STEWART CONNECTOR AND SHALL NOT BE REPRODUCED, COPIED, OR USED IN ANY MANNER WITHOUT PRIOR WRITTEN CONSENT OF STEWART CONNECTOR, ONE OR MORE U.S. PATENTS MAY APPLY TO THIS PRODUCT. FOR DETAILS, PLEASE VISIT: HTTP://HELPFUSE.COM/STEWART/STEWART_PARTS/	DRW BY: JMM APPD BY: J.E DWG NO: CT120018	DATE: 12/29/21 DATE: 6/14/22 REV: A0
DIMENSIONS: METRIC UNLESS OTHERWISE SPECIFIED TOLERANCES ARE: ±0.13 ANGLES ARE ± 1°		SHEET NO: 1 OF 1	



AutoCAD A1 Metric