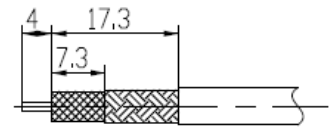
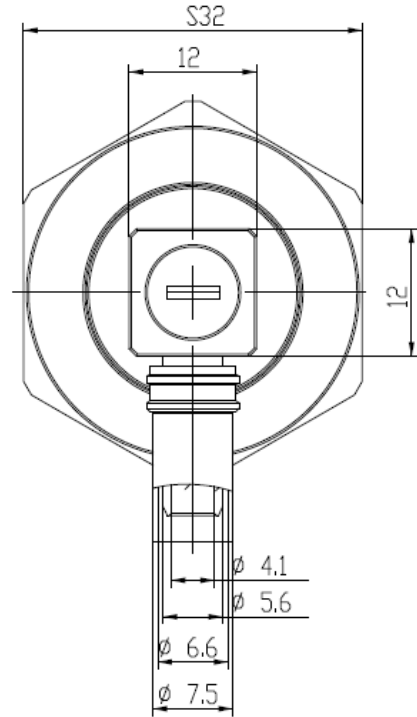
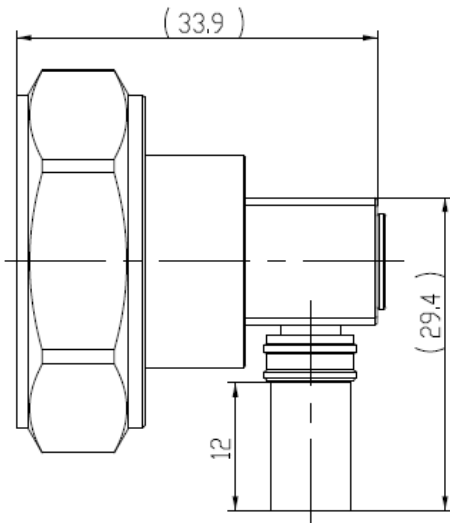


**NOTICE OF PROPRIETARY RIGHTS** THIS DOCUMENT CONTAINS CONFIDENTIAL TECHNICAL DATA, INCLUDING TRADE SECRETS, PROPRIETARY TO TIMES MICROWAVE SYSTEMS. DISCLOSURE OF THIS DATA IS EXPRESSLY CONDITIONED UPON YOUR ASSENT THAT ITS USE IS LIMITED TO USE WITHIN YOUR COMPANY ONLY. ANY OTHER USE IS STRICTLY PROHIBITED WITHOUT THE PRIOR WRITTEN CONSENT OF TIMES MICROWAVE SYSTEMS.

SYM	REVISION DESCRIPTION	DFTM	DATE	APPD	DATE
A	RELEASED FOR PRODUCTION	N.N.N	1/9/14	J.D.B.	1/10/14



Recommended cable trimming Dim's

Reference standard IEC60169-4  
 I. Electric Performance  
 Nominal Impedance( $\Omega$ ):  $50 \pm 2$   
 Frequency Range: DC-3GHz  
 VSWR:  $\leq 1.15$   
 Insert Loss(dB):  $\leq 0.1$   
 Insulation resistance ( $M\Omega$ ):  $\geq 10000$   
 Proof voltage (V): 1500  
 Conductor resistance ( $m\Omega$ ): outer conductor  $< 0.2$   
 Inner conductor  $< 0.8$

II. Mechanical Performance  
 Nut torque: 25N.m  
 (Nut)Whirl pull: 1000N  
 Tensile force(cable-connector): 310N  
 Torsion(cable-connector): 0.2N.m

III. Material and plating:  

Component	Material	Plating
Inner conductor	Brass	Ag5 $\mu$ m
Outer conductor	Brass	Copper-tin-zinc 2 $\mu$ m
Tube	copper	Copper-tin-zinc 2 $\mu$ m
Nut	Brass	Copper-tin-zinc 2 $\mu$ m
Gasket	Silicone rubber	
Insulator	PTFE	

IV. Environment  
 Temperature: -40 $^{\circ}$ C~+85 $^{\circ}$ C  
 Weather standard: IEC 60068 40 / 085/ 21  
 Thermal shock: IEC 60068 -2-14-Na  
 Vibration: IEC 60068-2-6-Fc  
 Shock: IEC 60068-2-27  
 Waterproofing standard: IP67

V. Assembly: inner conductor soldered and outer conductor crimped

VI. ROHS Compliant.

MATERIAL:	UNLESS OTHERWISE SPECIFIED		DFTM: N. N. N	TIMES MICROWAVE SYSTEMS			
	ALL DIMENSIONS ARE IN mm		DATE: 1/9/14				
USED ON: O-O			CHKD: J. D. B.	<b>TC-240-716M-RA-D</b> CONNECTOR, 90° 7-16 Male for LMR-240			
			DATE: 1/10/14				
			APPD: J. D. B.				
SCALE: ~	DWG. SIZE: A	DO NOT SCALE DRAWING	CODE IDENT: 68999	DATE: 1/10/14	SHEET: 1 of 1	SD3190-2983	REV: A