

REVISION HISTORY		
09/02/2010	1	INITIAL RELEASE
09/20/2010	1.1	PROTOTYPE REWORK - TP GPIO MOVE
10/21/2010	1.2	PROTOTYPE REWORK - LCD POWER SWITCH
11/16/2010	2.0	ADD EXTERNAL SPEAKER CONNECTOR ADD OFF-BOARD BATTERY CONNECTOR SHOW DNL OPTIONS FOR LPC2478 VS LPC1788

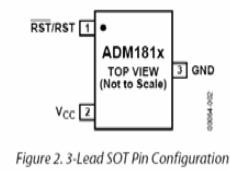
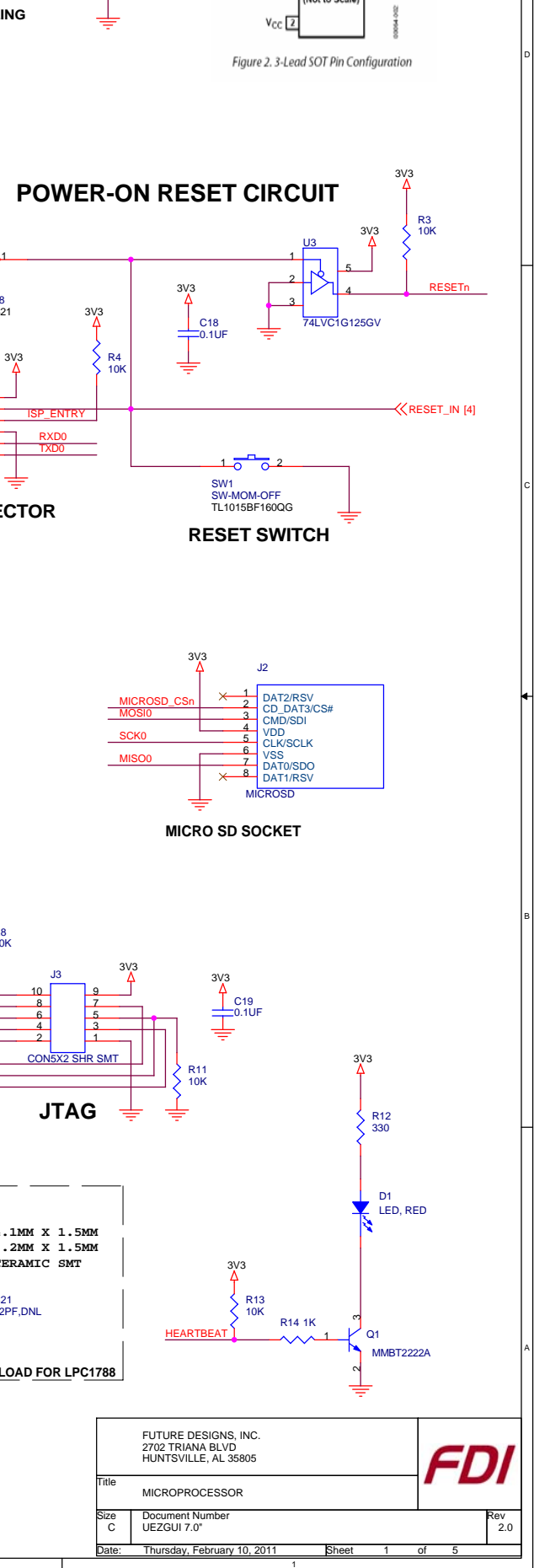
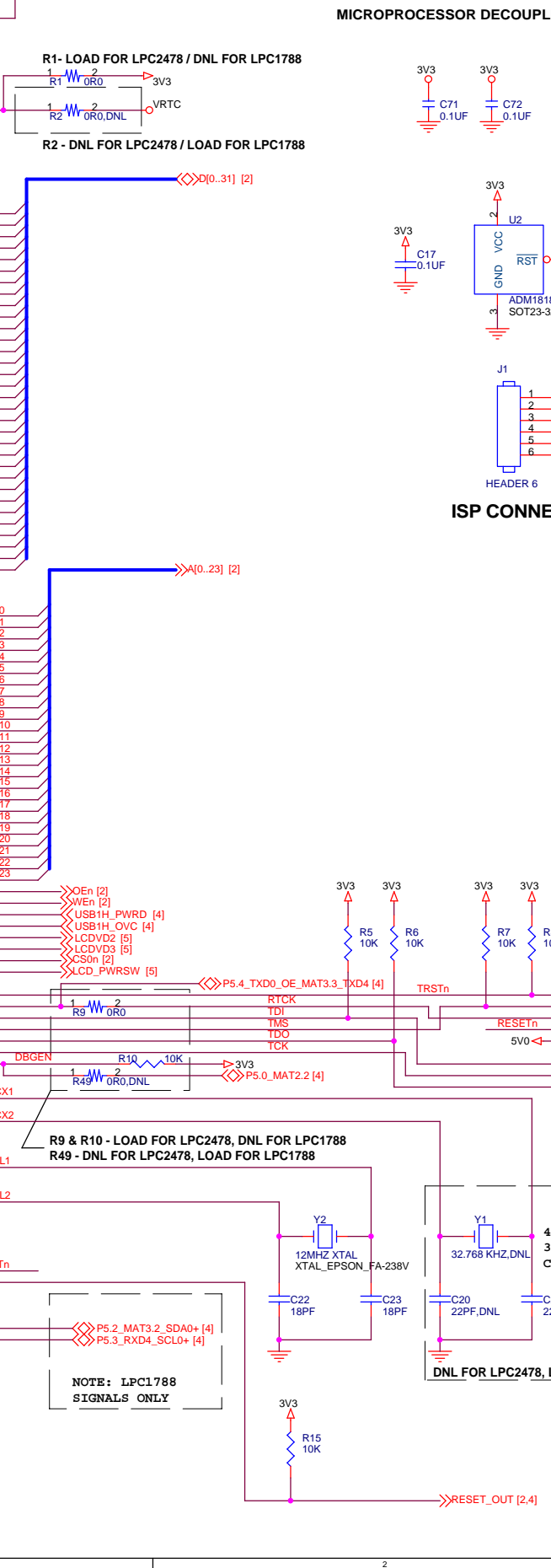
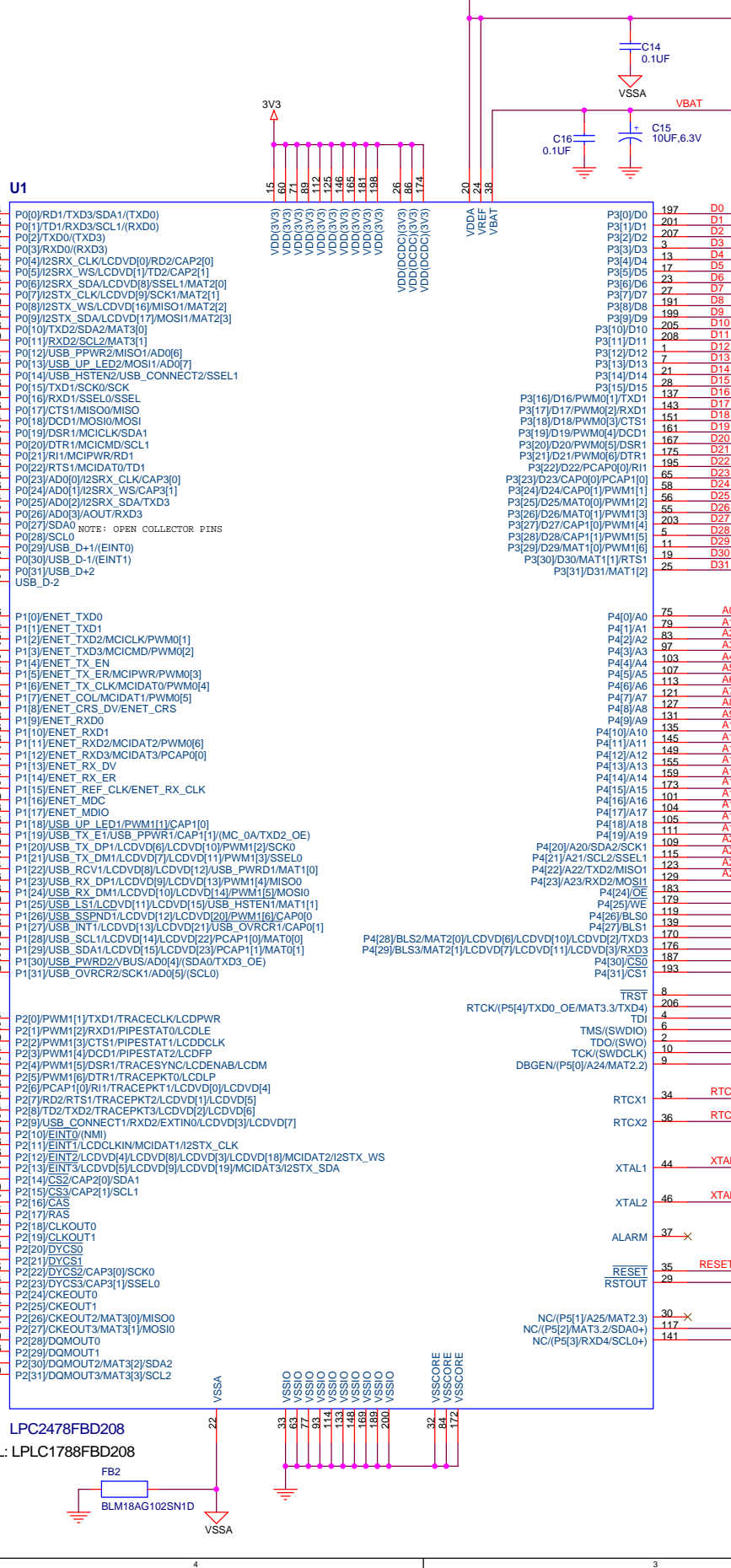
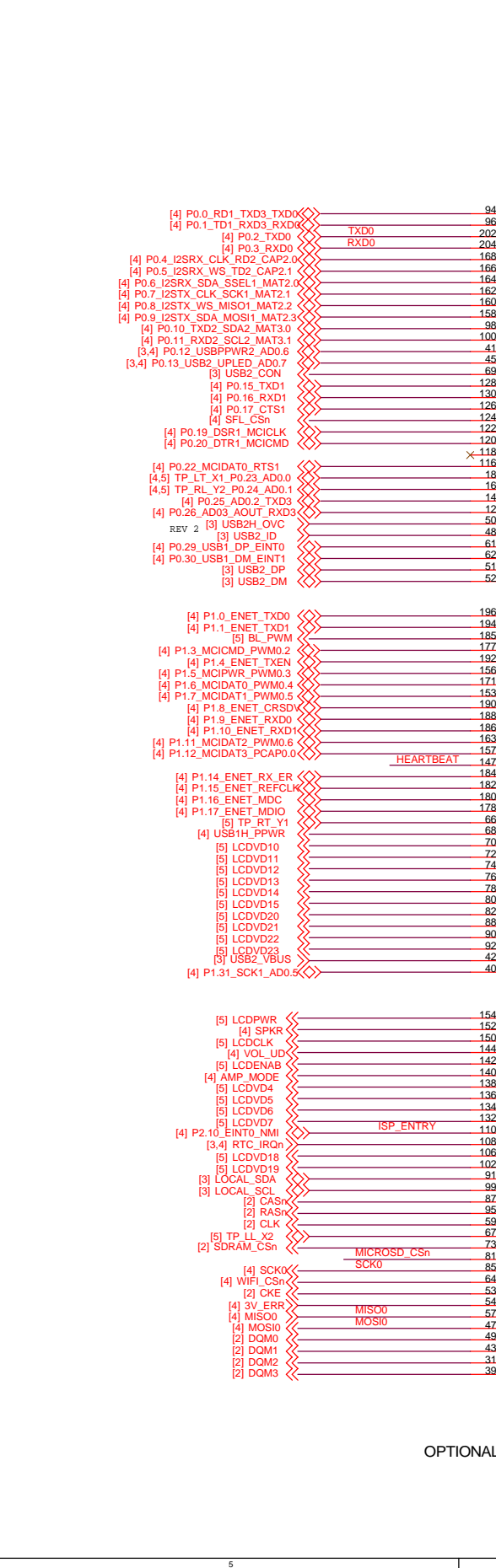
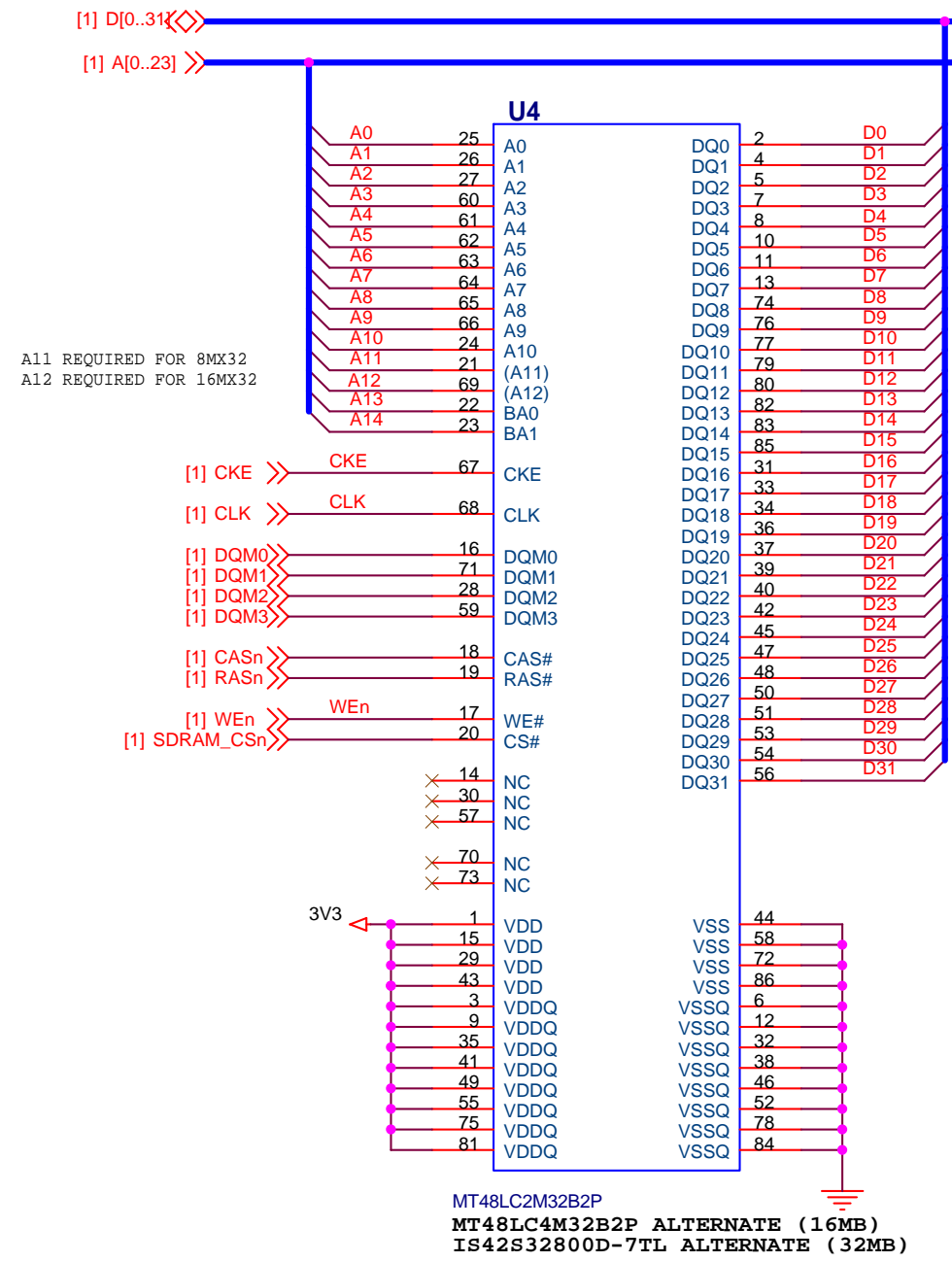
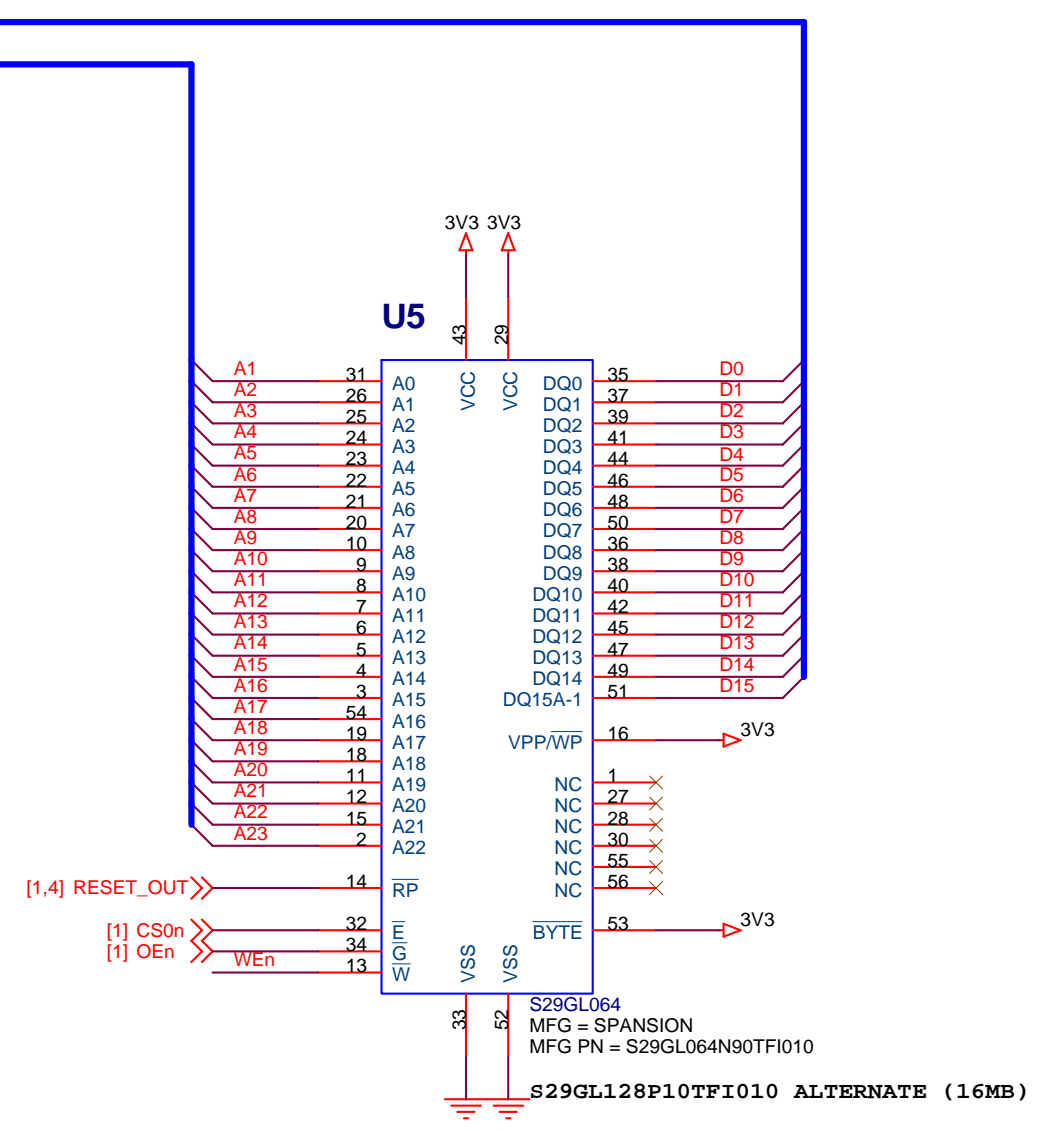
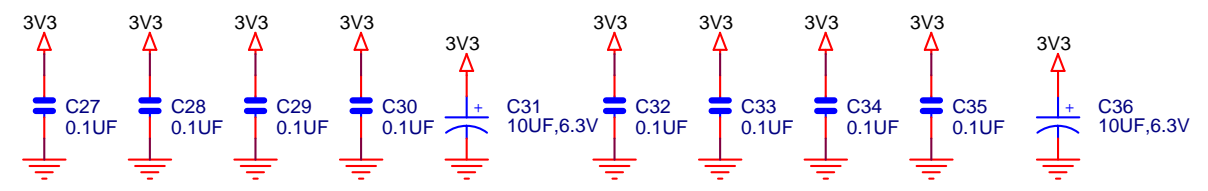


Figure 2. 3-Lead SOT Pin Configuration

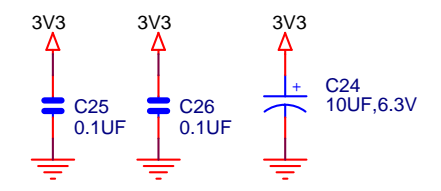
FUTURE DESIGNS, INC. 2702 TRIANA BLVD HUNTSVILLE, AL 35805		FDI
Title: MICROPROCESSOR		
Size: C	Document Number: UEZGUI 7.0"	Rev: 2.0
Date: Thursday, February 10, 2011	Sheet: 1 of 5	



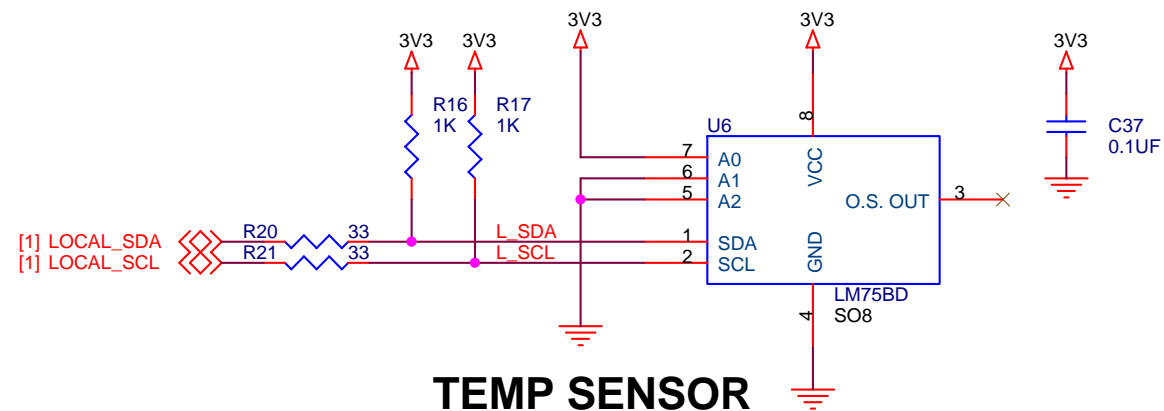
SDRAM (8MB TO 32MB)



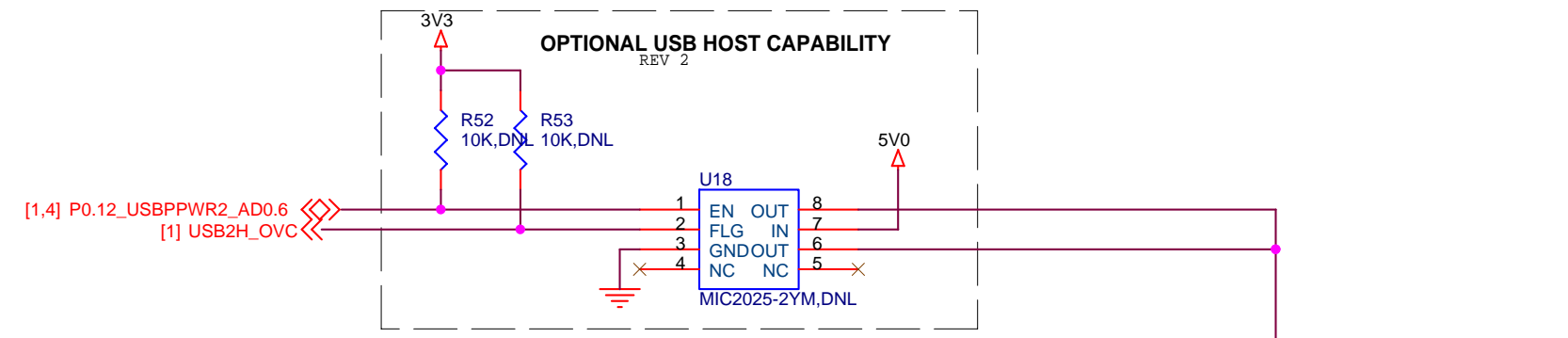
NOR FLASH (8MB TO 16MB)



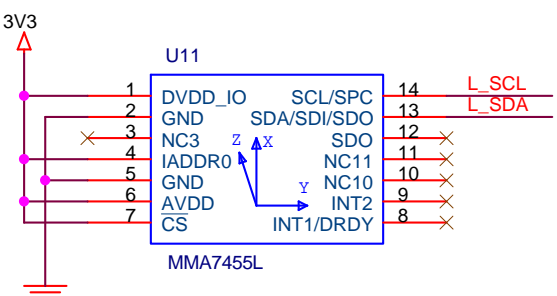
FUTURE DESIGNS, INC. 2702 TRIANA BLVD HUNTSVILLE, AL 35805		FDI
Title SDRAM FLASH		
Size B	Document Number UEZGUI 7.0"	Rev 2.0
Date: Thursday, February 10, 2011	Sheet 2	of 5



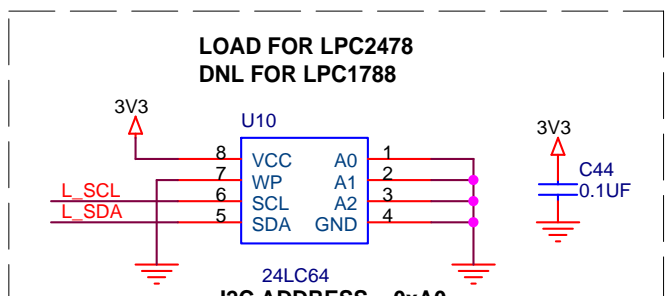
TEMP SENSOR
 I2C ADDRESS = 0x92
 Range & Accuracy: +/- 2 C from -25 C to 100 C
 +/- 3 C from -55 C to 125 C



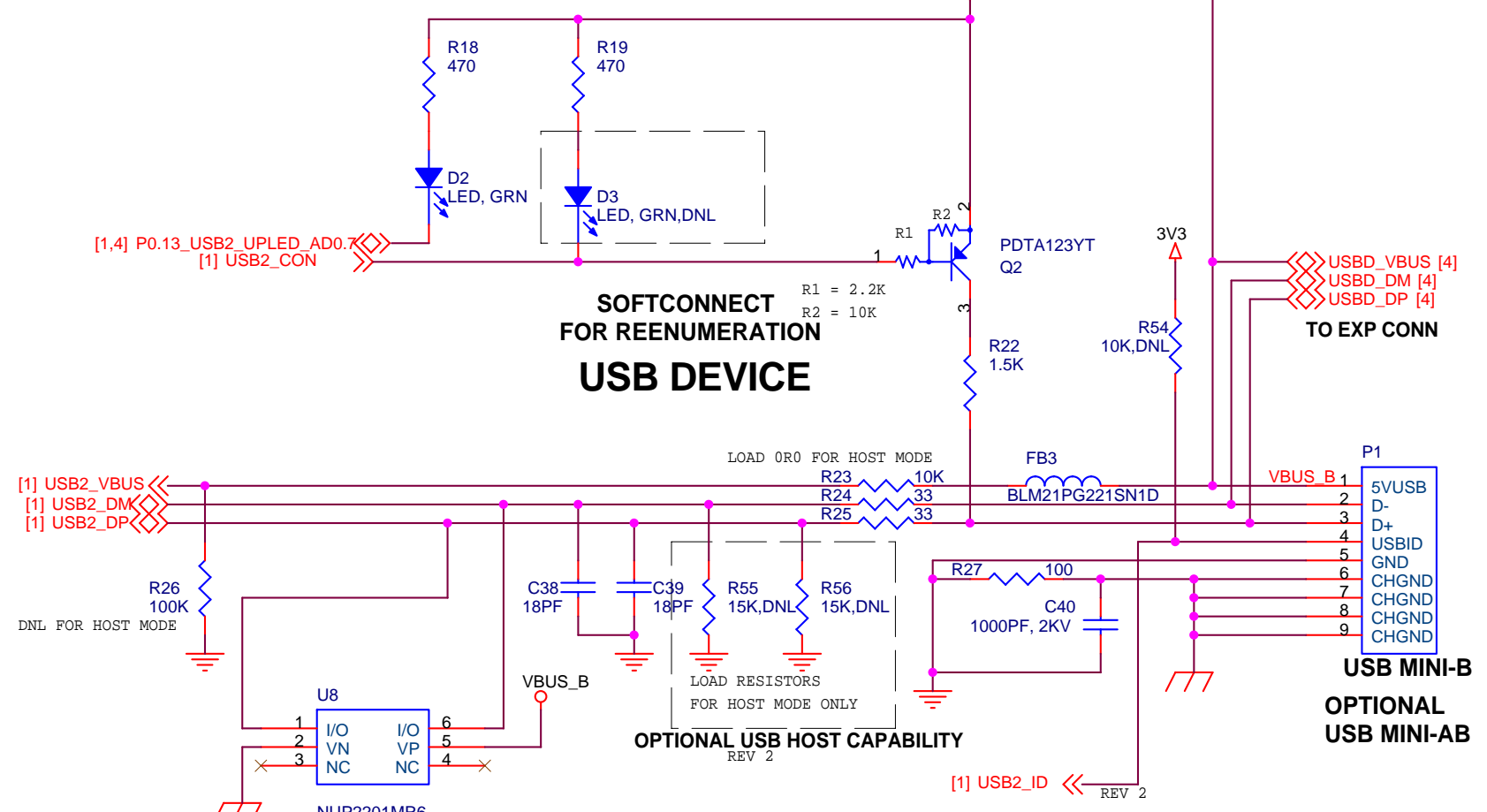
OPTIONAL USB HOST CAPABILITY
 REV 2



3D ACCELEROMETER
 I2C ADDRESS = 0x1D



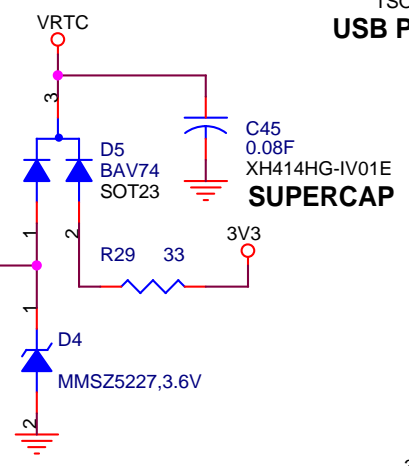
EEPROM (64Kb)
 I2C ADDRESS = 0xA0



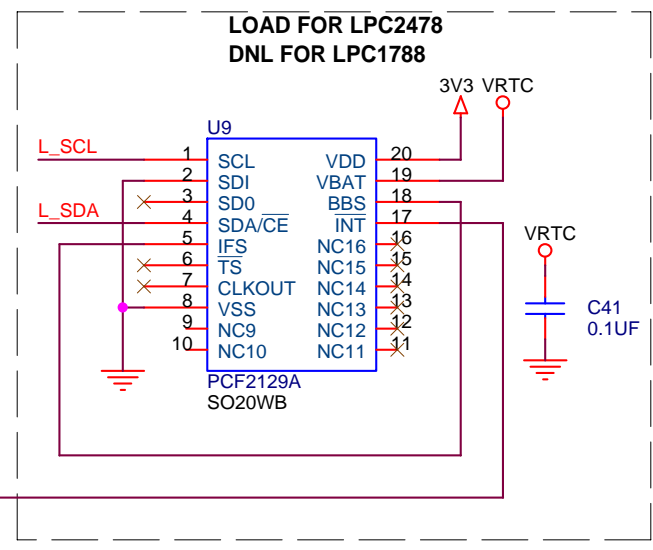
SOFTCONNECT FOR REENUMERATION USB DEVICE

OPTIONAL USB HOST CAPABILITY
 REV 2

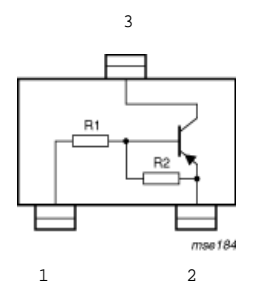
USB PROTECTION



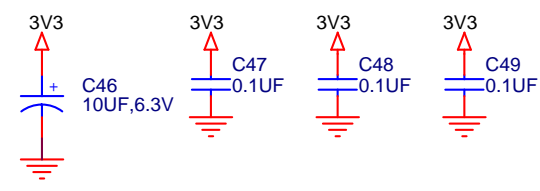
OPTIONAL OFF-BOARD BATTERY BACKUP
 REV 2



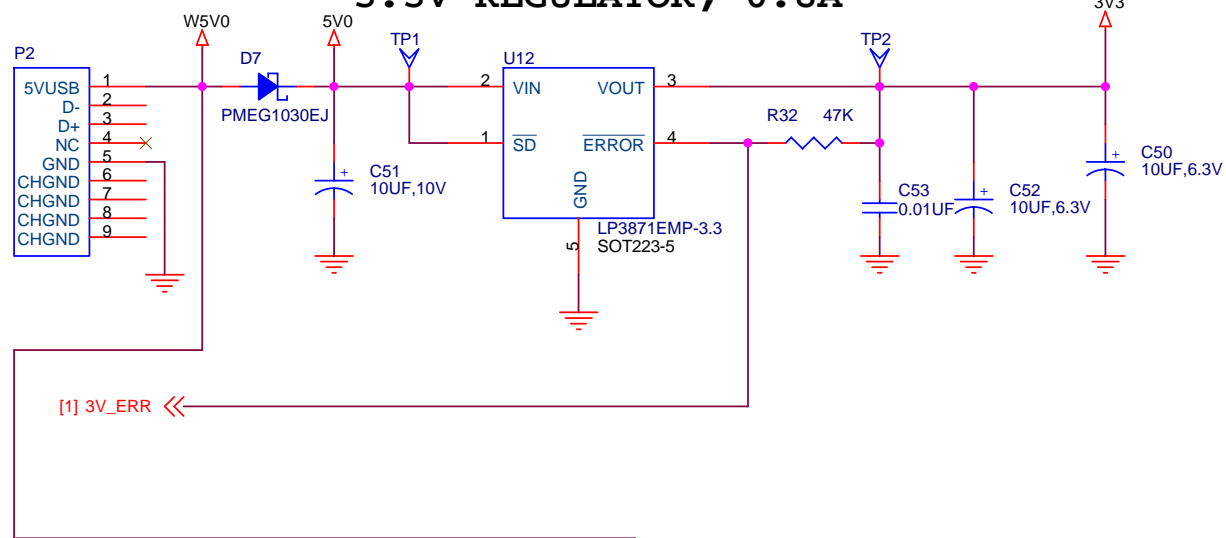
REALTIME CLOCK
 I2C ADDRESS = 0xA2



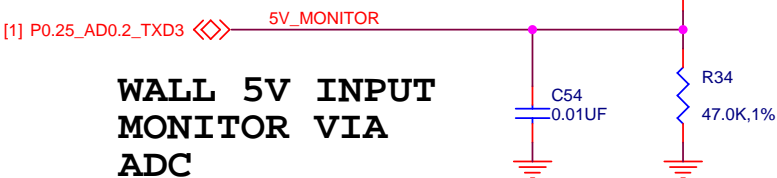
FUTURE DESIGNS, INC. 2702 TRIANA BLVD HUNTSVILLE, AL 35805		
Title: USB DEVICE I2C PERIPHERALS		
Size B	Document Number UEZGUI 7.0"	Rev 2.0
Date: Thursday, February 10, 2011	Sheet 3 of 5	



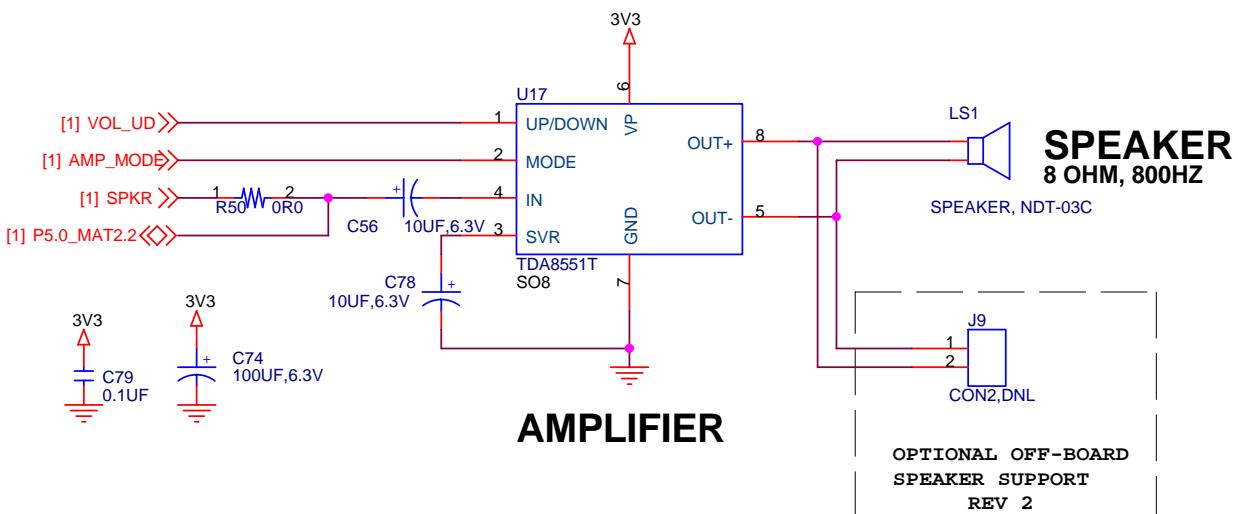
3.3V REGULATOR, 0.8A



WALL 5V INPUT MONITOR VIA ADC



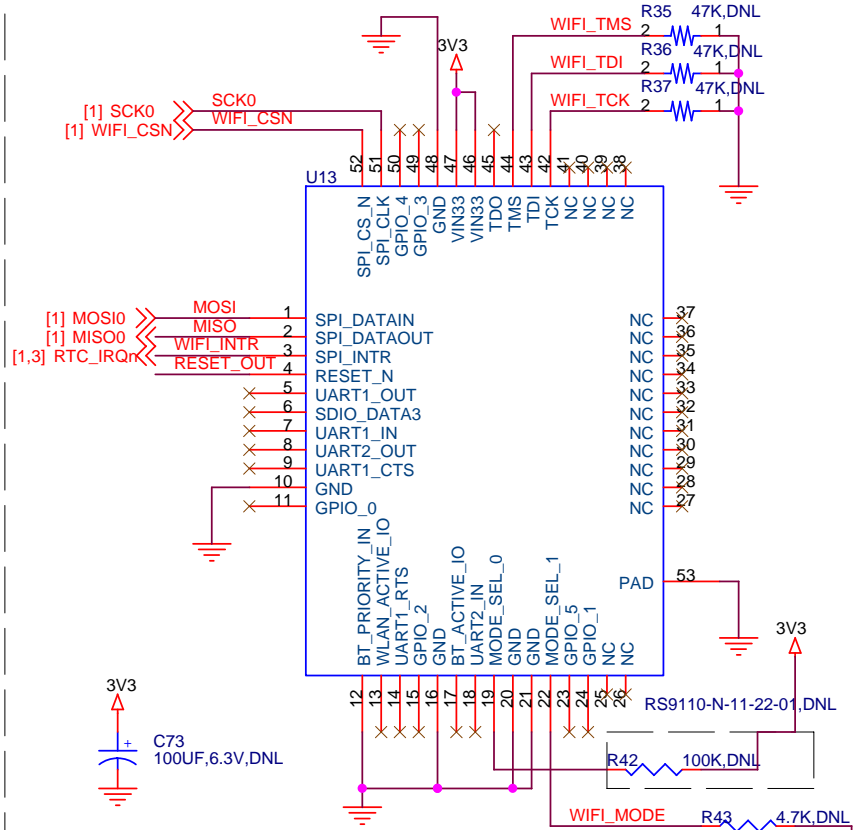
AMPLIFIER



SPEAKER 8 OHM, 800HZ

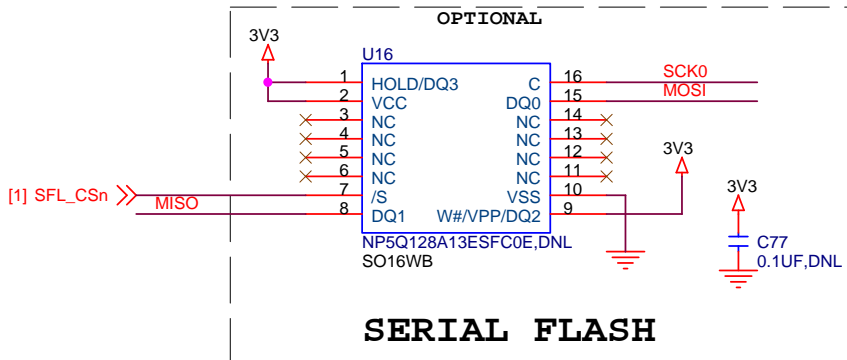
OPTIONAL OFF-BOARD
SPEAKER SUPPORT
REV 2

OPTIONAL

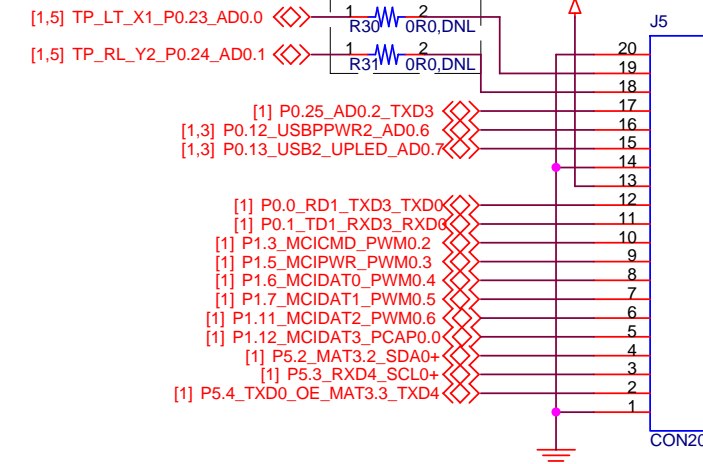


REDPINE WIFI MODULE (2.4GHZ)

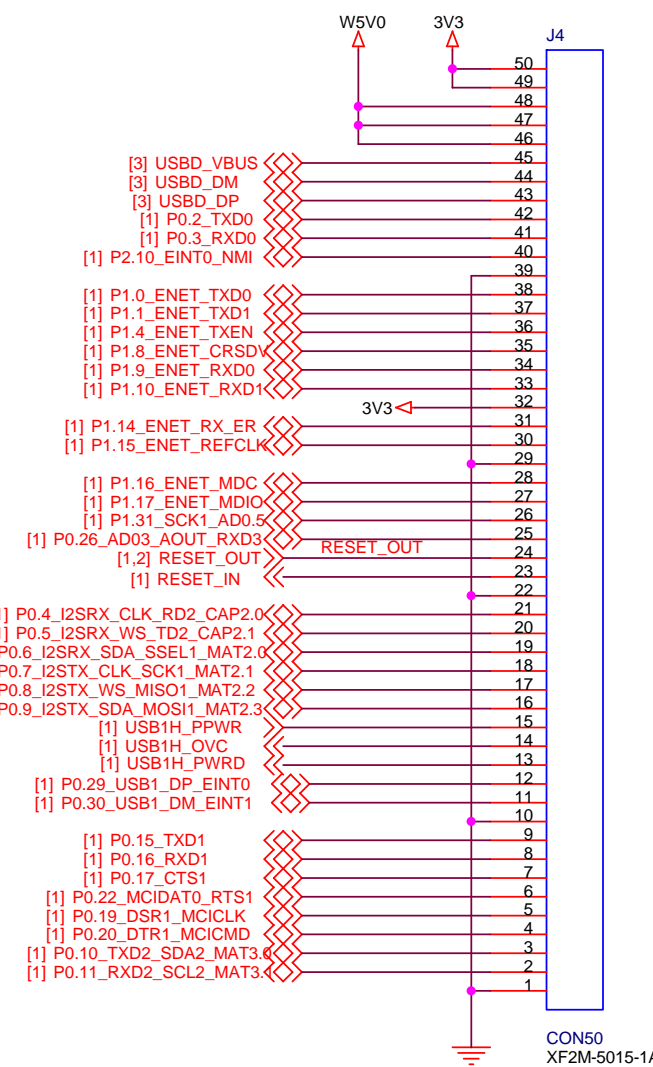
OPTIONAL



SERIAL FLASH

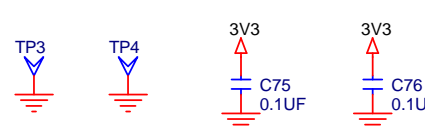
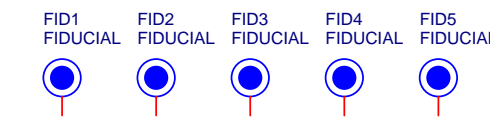


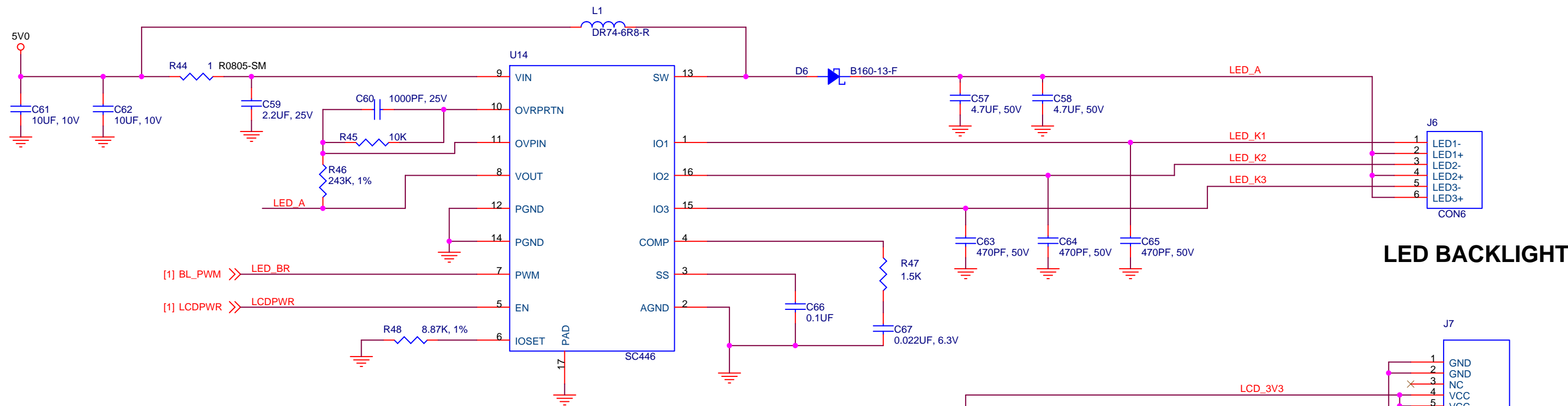
SECONDARY EXPANSION CONNECTOR



PRIMARY EXPANSION CONNECTOR

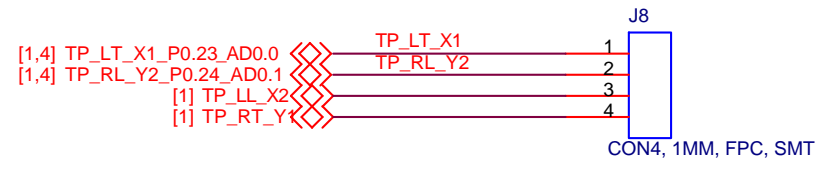
FUTURE DESIGNS, INC. 2702 TRIANA BLVD HUNTSVILLE, AL 35805		FDI
Title	VREG IO CONN WIFI SPKR	
Size	Document Number UEZGUI 7.0"	Rev 2.0
Date:	Thursday, February 10, 2011	Sheet 4 of 5



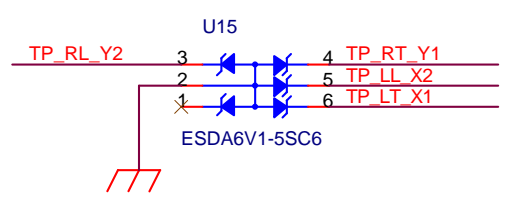


BACKLIGHT GENERATOR

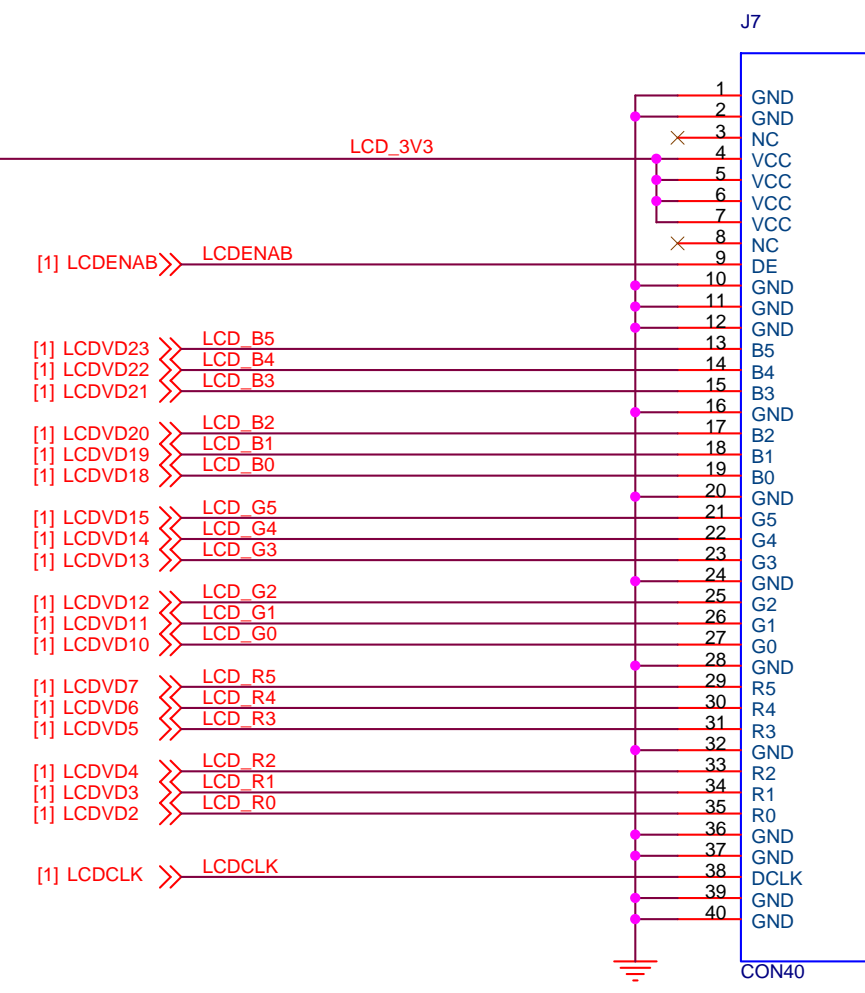
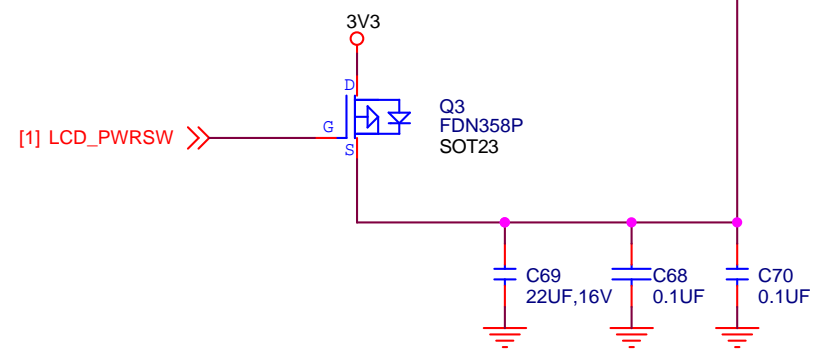
LED BACKLIGHT



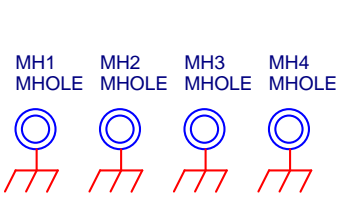
TOUCH PANEL



TP ESD PROTECTION



7.0" LCD



FUTURE DESIGNS, INC. 2702 TRIANA BLVD HUNTSVILLE, AL 35805		FDI
Title	LCD TP BL	
Size	Document Number	Rev
B	UEZGUI 7.0"	2.0
Date:	Thursday, February 10, 2011	Sheet 5 of 5