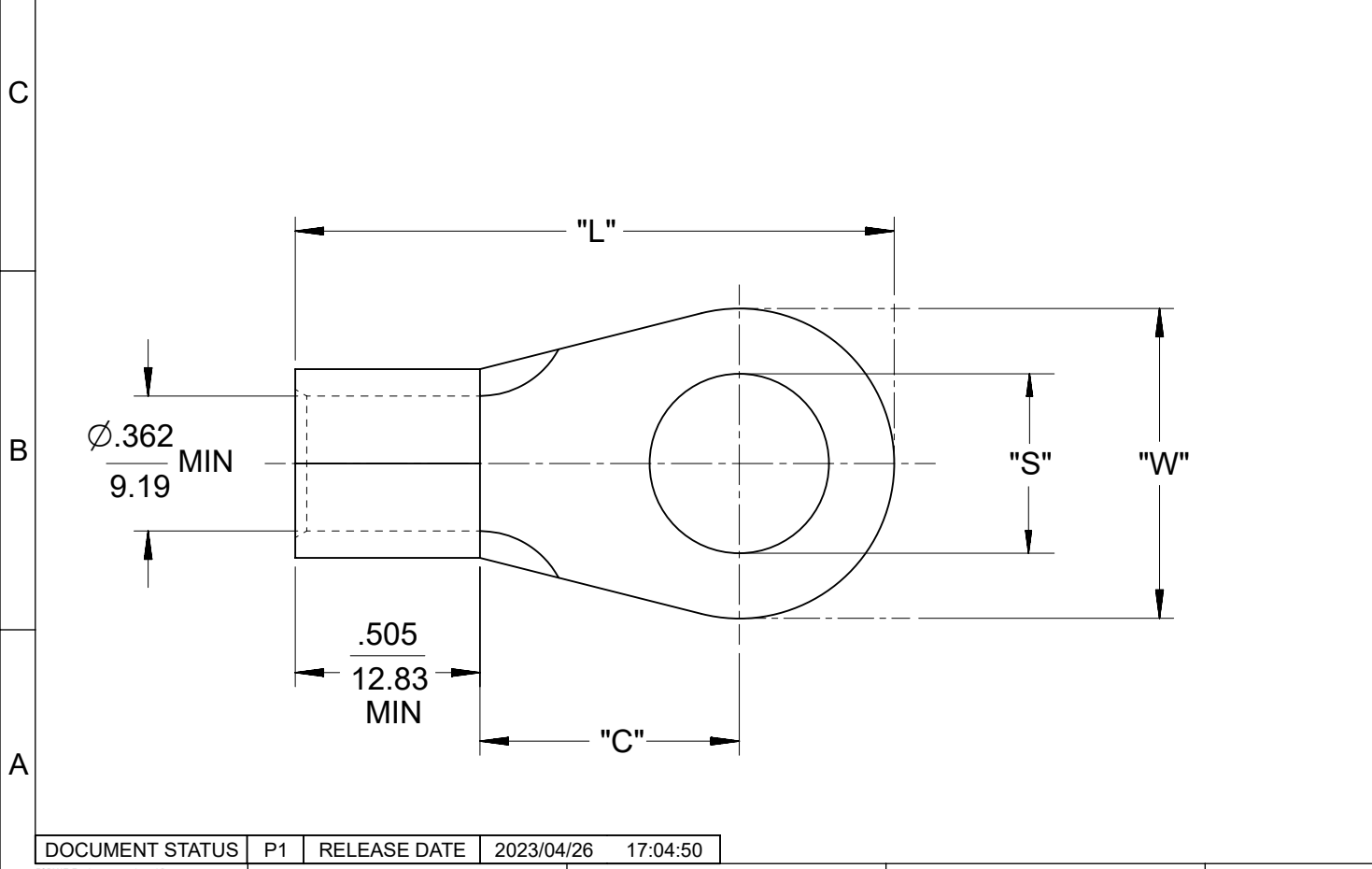
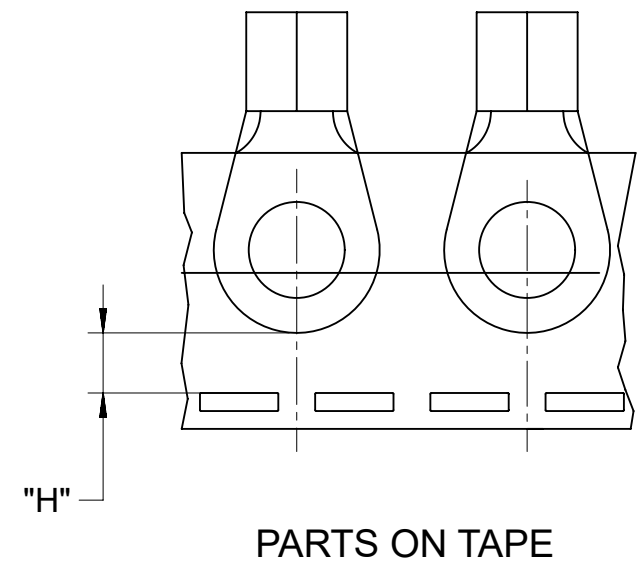


| 10 | 9 | 8 | 7 | 6 | 5 | 4 | 3 | 2 | 1 |
|-----------------------------|--------------------------|------------------------------|--------------------------|--------------|-------------------|-------------|-------------|-------------|-------------------|
| MATERIAL NO. LOOSE PIECE | ENGINEERING P/N LOOSE | MATERIAL NO. TAPE MOUNTED | ENGINEERING P/N TAPED | STUD SIZE | "S" ±.005/0.13 | "W" MAX. | "C" MIN. | "L" MAX. | "H" ±.02 / 0.5 |
| 191930303 | G-375-10 | - | G-375-10T | 10 | .198/5.03 | .645/16.38 | .703/17.86 | 1.583/40.21 | .43/10.9 |
| 191930305 | G-375-14 | - | G-375-14T | 1/4" | .265/6.73 | .645/16.38 | .703/17.86 | 1.583/40.21 | .43/10.9 |
| 191930309 | G-375-56 | - | G-375-56T | 5/16" | .328/8.33 | .645/16.38 | .703/17.86 | 1.583/40.21 | .43/10.9 |
| 191930307 | G-375-38 | 191930961 | G-375-38T | 3/8" | .390/9.91 | .645/16.38 | .703/17.86 | 1.583/40.21 | .43/10.9 |
| 191930297 | G-374-14 | - | - | 1/4" | .265/6.73 (D2) | .879/22.33 | .703/17.86 | 1.700/43.18 | - |
| 191930299 | G-374-56 | - | - | 5/16" | .328/8.33 (D2) | .879/22.33 | .703/17.86 | 1.700/43.18 | - |
| 191930298 | G-374-38 | - | - | 3/8" | .390/9.91 (D2) | .879/22.33 | .703/17.86 | 1.700/43.18 | - |
| 191930302 | G-374-76 | - | G-374-76T | 7/16" | .453/11.51 (D2) | .879/22.33 | .703/17.86 | 1.700/43.18 | .31/7.9 |
| 191930296 | G-374-12 | - | G-374-12T | 1/2" | .515/13.08 | .879/22.33 | .703/17.86 | 1.700/43.18 | .31/7.9 |
| 191930301 | G-374-58 | - | G-374-58T | 5/8" | .656/16.66 (D2) | .879/22.33 | .703/17.86 | 1.700/43.18 | .31/7.9 |
| 191930313 | G-376-14 | - | - | 1/4" | .265/6.73 | .895/22.73 | .990/25.15 | 1.995/50.67 | - |
| 191930315 | G-376-56 | - | - | 5/16" | .328/8.33 | .895/22.73 | .990/25.15 | 1.995/50.67 | - |
| 191930314 | G-376-38 | - | - | 3/8" | .390/9.91 | .895/22.73 | .990/25.15 | 1.995/50.67 | - |
| 191930312 | G-376-12 | - | - | 1/2" | .515/13.08 | .895/22.73 | .990/25.15 | 1.995/50.67 | - |
| 191930319 | G-377-14 | - | - | 1/4" | .265/6.73 | 1.270/32.26 | .990/25.15 | 2.183/55.45 | - |
| 191930322 | G-377-56 | - | - | 5/16" | .328/8.33 | 1.270/32.26 | .990/25.15 | 2.183/55.45 | - |
| 191930321 | G-377-38 | - | - | 3/8" | .390/9.91 | 1.270/32.26 | .990/25.15 | 2.183/55.45 | - |
| 191930324 | G-377-76 | - | - | 7/16" | .453/11.51 | 1.270/32.26 | .990/25.15 | 2.183/55.45 | - |
| 191930318 | G-377-12 | - | - | 1/2" | .515/13.08 | 1.270/32.26 | .990/25.15 | 2.183/55.45 | - |
| 191930611 | G-377-58 | - | - | 5/8" | .656/16.66 | 1.270/32.26 | .990/25.15 | 2.183/55.45 | - |
| 191930320 | G-377-34 | - | - | 3/4" | .781/19.84 | 1.270/32.26 | .990/25.15 | 2.183/55.45 | - |



- NOTES:
1. MATERIAL: MATTE-TIN PLATED COPPER
 2. WIRE SIZE: 2 AWG/ 26.6-42.4 mm²
 3. PARTS ARE ROHS COMPLIANT.

SALES DRAWING

REDRAWN FROM SD-19193-007, -028, -029, -030
DRAWN BY DLM 07/2003

| | | | | | | | | | | | |
|---|--|------------------------|--|--|--|-----------|--|----------------------------|--|---|--|
| THIS DRAWING CONTAINS INFORMATION THAT IS PROPRIETARY TO MOLEX ELECTRONIC TECHNOLOGIES, LLC AND SHOULD NOT BE USED WITHOUT WRITTEN PERMISSION | | | | | | | | | | | |
| DIMENSION UNITS INCH/MM | | SCALE NTS | | CURRENT REV DESC: CORRECTED "S" DIM TO MATCH STUD SIZE | | | | | | | |
| GENERAL TOLERANCES (UNLESS SPECIFIED) | | | | EC NO: 747548 | | | | | | | |
| | | | | MM | | INCH | | DRWN: DEANNM1 2023/04/25 | | RING TONGUE TERMINAL VERSAKRIMP, 2 AWG | |
| 4 PLACES ± | | ± | | ± | | ± | | CHK'D: JMACNEIL 2023/04/26 | | PRODUCT CUSTOMER DRAWING | |
| 3 PLACES ± | | ± 0.005 | | ± 0.13 | | ± 0.01 | | APPR: JMACNEIL 2023/04/26 | | DOCUMENT NUMBER | |
| 2 PLACES ± | | ± 0.25 | | ± 0.02 | | ± | | INITIAL REVISION: | | SD-19193-038 | |
| 1 PLACE ± | | ± | | ± | | ± | | DRWN: ETHRODAHL 2011/05/05 | | DOC TYPE DOC PART REVISION | |
| 0 PLACES ± | | ± | | ± | | ± | | APPR: JMACNEIL 2011/06/03 | | PSD 001 D2 | |
| ANGULAR TOL ± ° | | ± ° | | ± ° | | ± ° | | MATERIAL NUMBER | | SHEET NUMBER | |
| DRAFT WHERE APPLICABLE MUST REMAIN WITHIN DIMENSIONS | | THIRD ANGLE PROJECTION | | DRAWING | | SERIES | | CUSTOMER | | 1 OF 1 | |
| | | B-SIZE | | 19193 | | SEE TABLE | | GENERAL MARKET | | | |