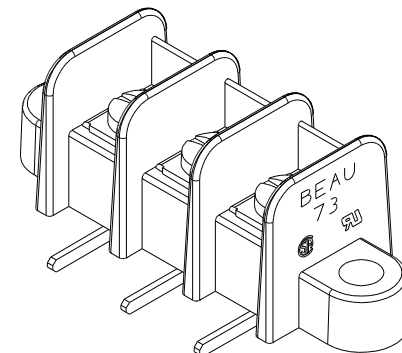
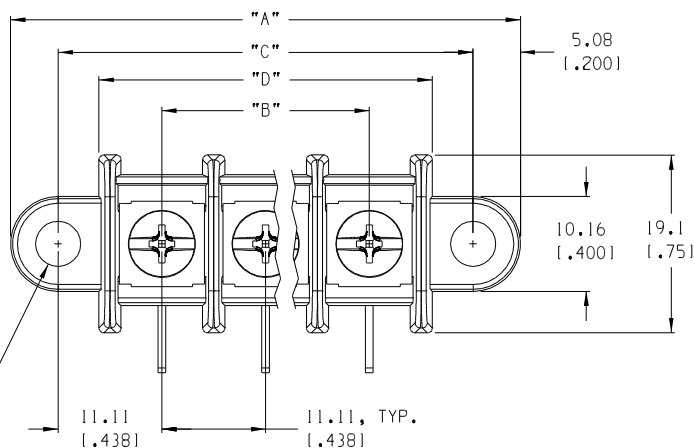
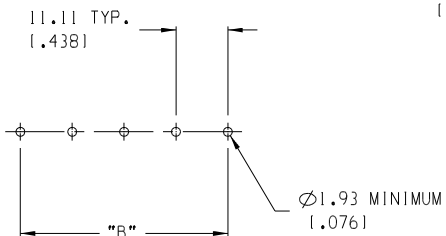


# OF CIRC. "XX"	DIM. "A"	DIM. "B"	DIM. "C"	DIM. "D"	ASSEMBLY MATERIAL NO.
02	43.5 (1.71)	11.11 (1.438)	33.34 (1.313)	24.5 (1.97)	387350002
03	54.6 (2.15)	22.23 (1.875)	44.45 (1.750)	35.7 (1.40)	387350003
04	65.7 (2.59)	33.34 (1.313)	55.56 (2.188)	46.8 (1.84)	387350004
05	76.8 (3.03)	44.45 (1.750)	66.68 (2.625)	57.9 (2.28)	387350005
06	87.9 (3.46)	55.56 (2.188)	77.79 (3.063)	69.0 (2.72)	387350006
07	99.1 (3.90)	66.68 (2.625)	88.90 (3.500)	80.1 (3.15)	387350007
08	110.2 (4.34)	77.79 (3.063)	100.01 (3.938)	91.2 (3.59)	387350008
09	121.3 (4.78)	88.90 (3.500)	111.13 (4.375)	102.3 (4.03)	387350009
10	132.4 (5.21)	100.01 (3.938)	122.24 (4.813)	113.4 (4.47)	387350010
11	143.5 (5.65)	111.13 (4.375)	133.35 (5.250)	124.6 (4.90)	387350011
12	154.6 (6.09)	122.24 (4.813)	144.46 (5.688)	135.7 (5.34)	387350012
13	165.7 (6.53)	133.35 (5.250)	155.58 (6.125)	146.8 (5.78)	387350013
14	176.8 (6.96)	144.46 (5.688)	166.69 (6.563)	157.9 (6.22)	387350014
15	188.0 (7.40)	155.58 (6.125)	177.80 (7.000)	169.0 (6.65)	387350015
16	199.1 (7.84)	166.69 (6.563)	188.91 (7.438)	180.1 (7.09)	387350016
17	210.2 (8.28)	177.80 (7.000)	200.03 (7.875)	191.2 (7.53)	387350017
18	221.3 (8.71)	188.91 (7.438)	211.14 (8.313)	202.3 (7.97)	387350018
19	232.4 (9.15)	200.03 (7.875)	222.25 (8.750)	213.5 (8.40)	387350019
20	243.5 (9.59)	211.14 (8.313)	233.36 (9.188)	224.6 (8.84)	387350020

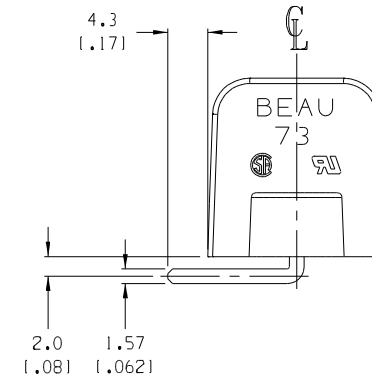
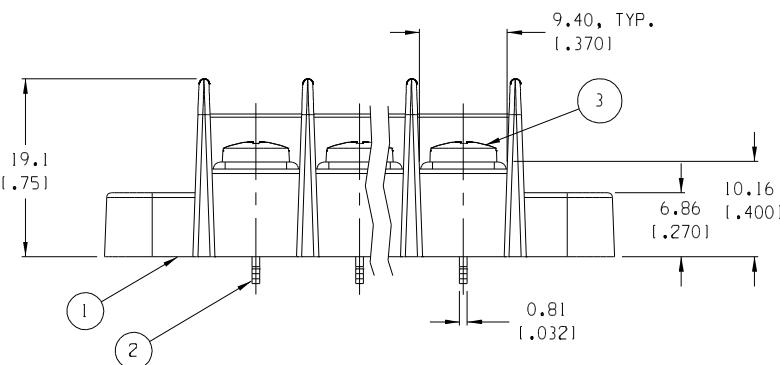


3 LENGTH SHOWN

Ø4.83 (2 PLCS.) (1.90)



RECOMMENDED PTH PATTERN SCALE 1:1



- NOTES:
1. MATERIAL: SEE TABLE
 2. FINISHES: SEE TABLE
 3. PRODUCT SPECIFICATION: NOT REQUIRED
 4. PACKAGING: NOT REQUIRED
 5. MATES WITH: NONE
 6. "XX" REFERS TO THE QUANTITY OF CIRCUITS.

3	XX	SCREW, #6-32 X .250, PHIL-SLOT	STEEL	ZN, CLEAR CHROMATE
2	XX	TERMINAL, RA PC	BRASS	TIN PLATE
1	1	INSULATOR, CLOSED SIDE	THERMOPLASTIC	BLACK
ITEM	QTY.	DESCRIPTION	MATERIAL	FINISH

EC NO. RELEASED DRWN: CH-K1 APPR:	DESCRIPTION MAJOR CRITICAL SPC S	GENERAL TOLERANCES* (UNLESS SPECIFIED)		SCALE 2:1	DESIGN UNITS <input type="checkbox"/> mm <input checked="" type="checkbox"/> INCH	THIRD ANGLE PROJECTION	PROJECT NO. - DIMENSIONS: <input checked="" type="checkbox"/> mm <input type="checkbox"/> INCH <input type="checkbox"/> mm ONLY	SHEET REV SHT 1 REV - REVISE ON CAD ONLY
		4 PLACES ±.0015 3 PLACES ±.038 ±.005 2 PLACES ±.13 ±.01 1 PLACE ±.3		DRAWN BY & DATE C. YORK 02-21-05	TITLE: 11.11mm (1.438") SR BTS ASSY, CLOSED SIDE, RA PC			
		ANGLAR: ±2°		CHECKED BY & DATE APPROVED BY & DATE	MOLEX INCORPORATED			
		DRAFT WHERE APPLICABLE MUST REMAIN WITHIN DIMENSIONS		CAD FILENAME 73R8XX	MATERIAL NO. SEE CHART	DRAWING NO. SD-38735-003	SHEET NO. 1 OF 1	SIZE B

THIS DRAWING CONTAINS INFORMATION THAT IS PROPRIETARY TO MOLEX INCORPORATED AND SHOULD NOT BE USED WITHOUT WRITTEN PERMISSION.