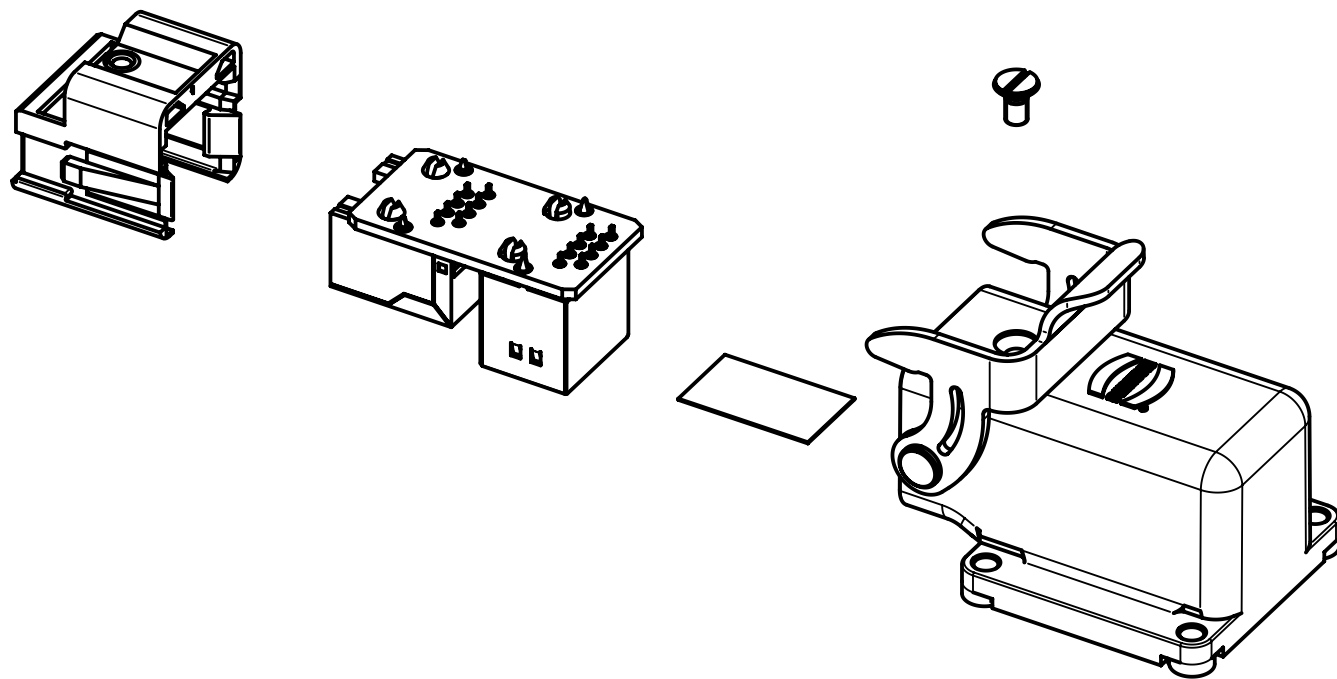
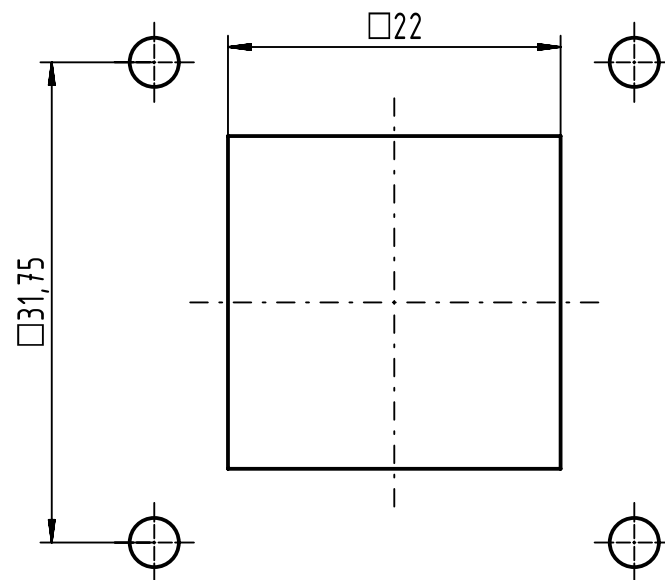


Panel cut out



	All Dimensions in mm Original Size DIN A3		Scale 2:1	Free size tol.		Ref.	
	All rights reserved Department EC PD - RO		Created by TAMAS	Inspected by DRAGHICI	Standardisation HOFFMANN	Date 2015-11-06	State Final Release
HARTING Electronics GmbH D-32339 Espelkamp		Title Han3A RJ45 PFT angled			Doc-Key / ECM-Nr. 100646858/UGD/000/A 50000096673		Rev. A
		Type TB	Number 09452151118		Page 1/1		