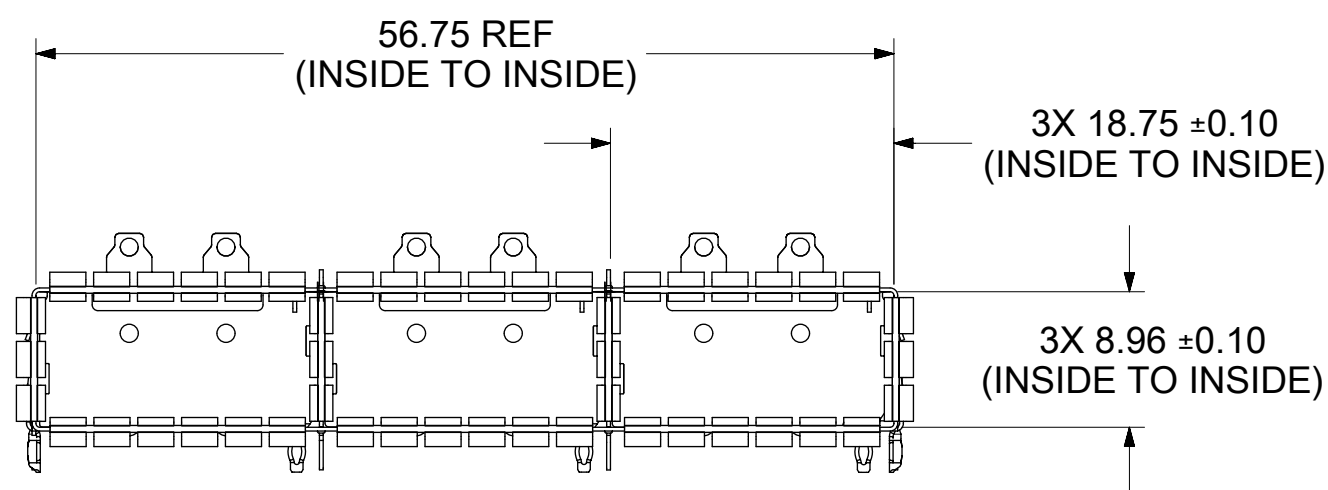
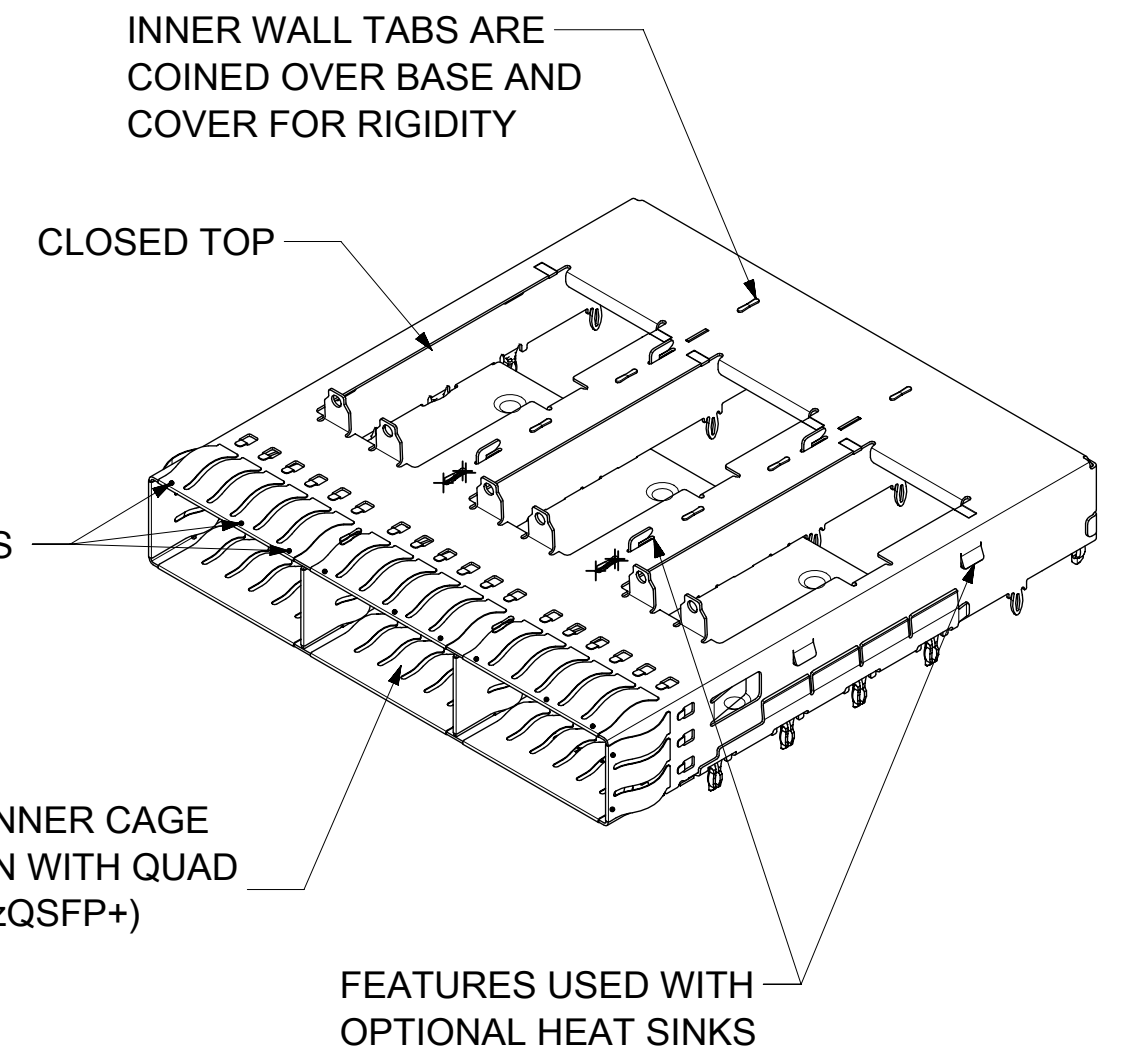
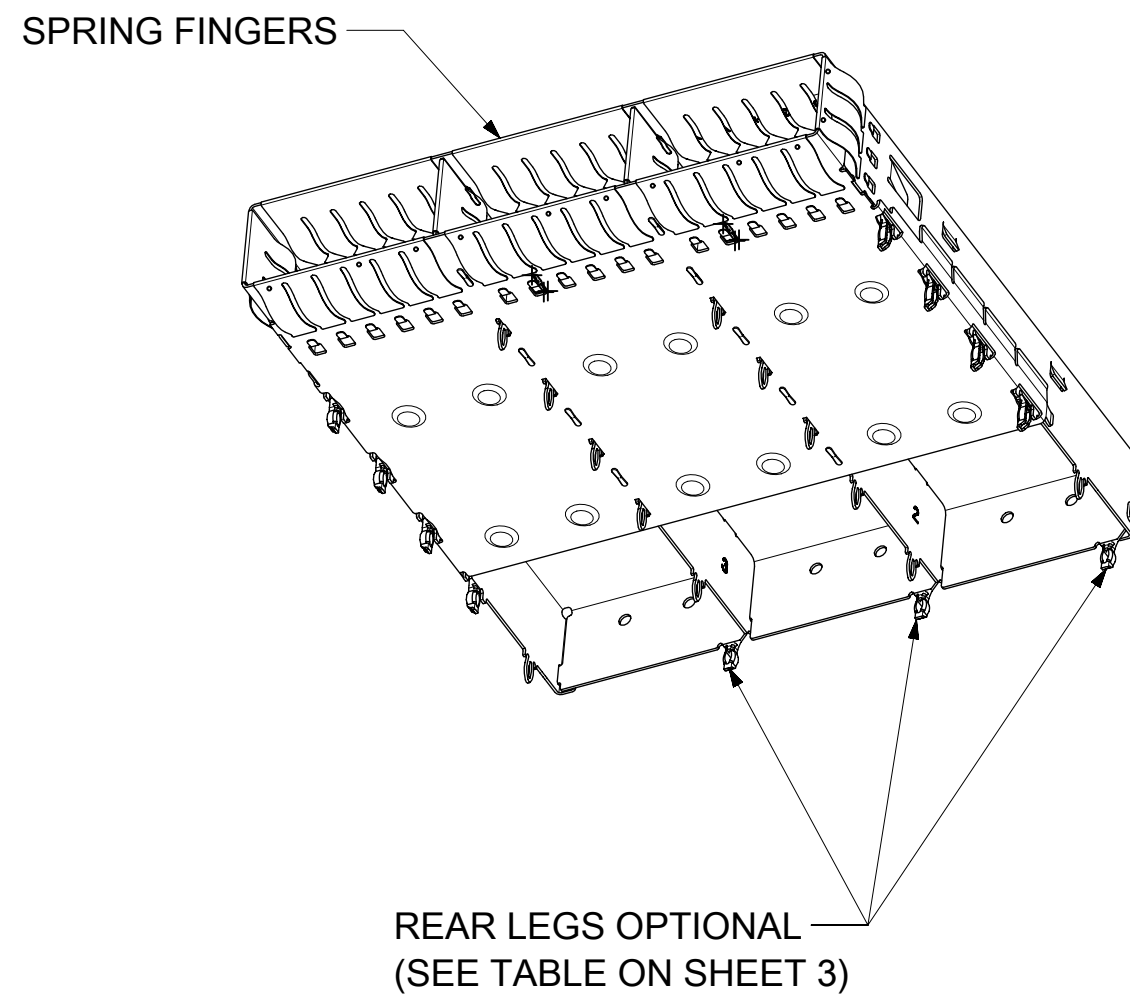
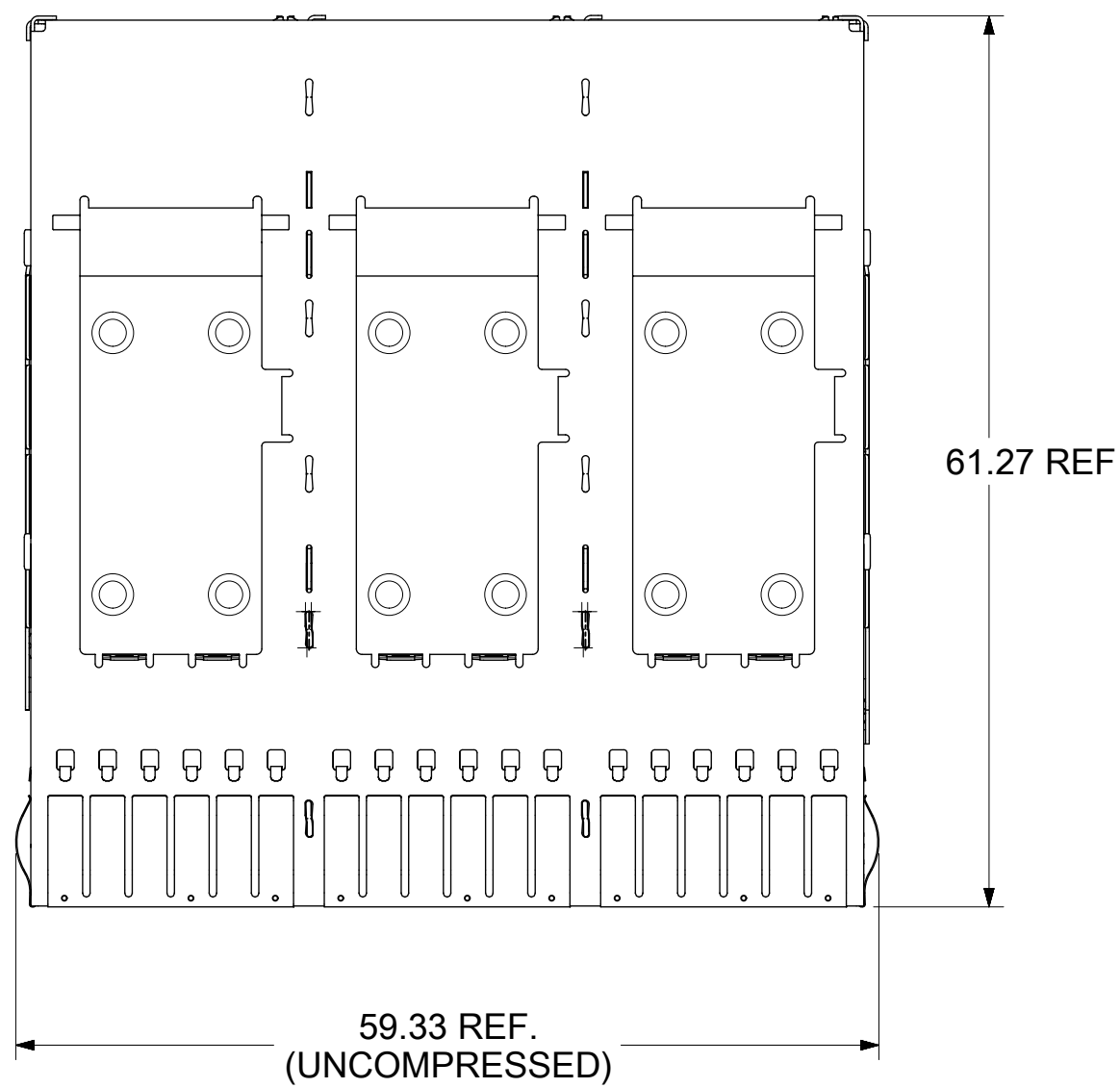


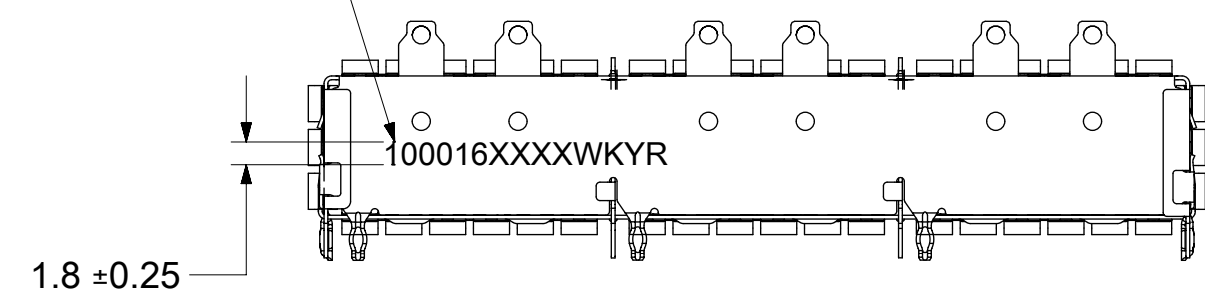
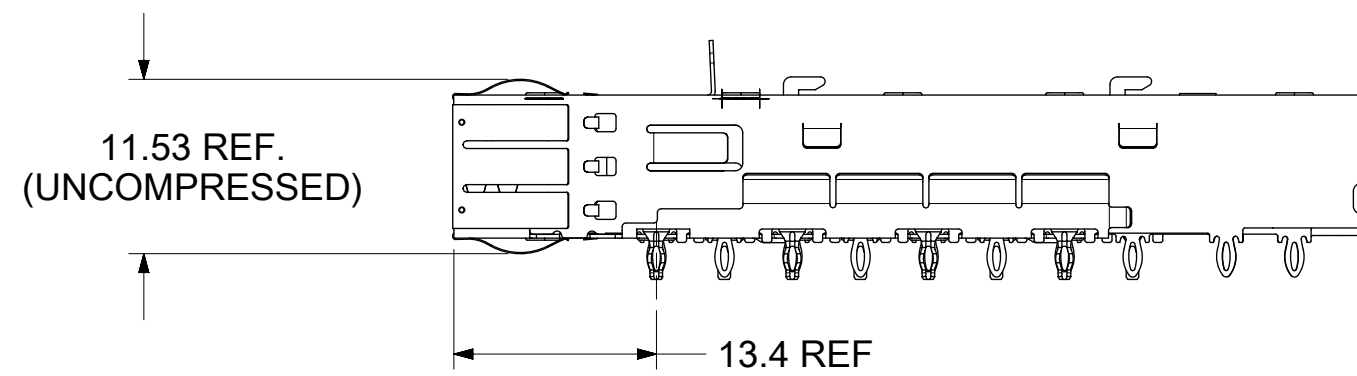
BASE CAGE DETAILS

1000163252

SHOWN



P/N AND WEEK/YEAR DATE CODE TO BE PRINTED ON
BACK OF COMPLETED CAGE ASSEMBLY APPROXIMATELY AS SHOWN.
SEE TABLE BELOW FOR DATE CODE INFORMATION



- NOTES:
- MATERIAL: CAGE: STAINLESS STEEL
CENTER WALLS: STAINLESS STEEL
SPRING FINGERS: STAINLESS STEEL
HEAT SINKS: NICKEL PLATED ALUMINUM
HEAT SINK CLIP: STAINLESS STEEL
LIGHT PIPES: POLYCARBONATE (UL 94-V-0)
 - DIMENSIONS MARKED ∇ ARE CRITICAL TO FUNCTION OF THE PART AND MUST BE INSPECTED
 - DRAWING APPLIES TO ALL P/N'S SHOWN ON PAGE 3
 - DURING FINAL INSPECTION, CAGE LEG LOCATIONS AND STRAIGHTNESS MUST BE CHECKED USING APPROPRIATE GO - NO GO GAGE
 - DURING FINAL INSPECTION, CAGE MUST BE INSPECTED TO MAKE SURE LEG CONFIGURATIONS AND PART NUMBERS ARE CORRECT, USE SHEETS 3, 4 AND 5
 - PARTS TO BE INSPECTED PER MOLEX COSMETIC SPEC WI-HP-7-2774 (CLASS B UNLESS OTHERWISE SPECIFIED)
 - PRESS-FIT LEGS 2.44 LONG -
1.57 MINIMUM PCB THICKNESS FOR SINGLE SIDED USE.
2.70 MINIMUM PCB THICKNESS FOR BELLY TO BELLY USE.
 - NO RoHS EXEMPTIONS
 - WELD SPOTS MAY SHOW MATERIAL DISCOLORATION

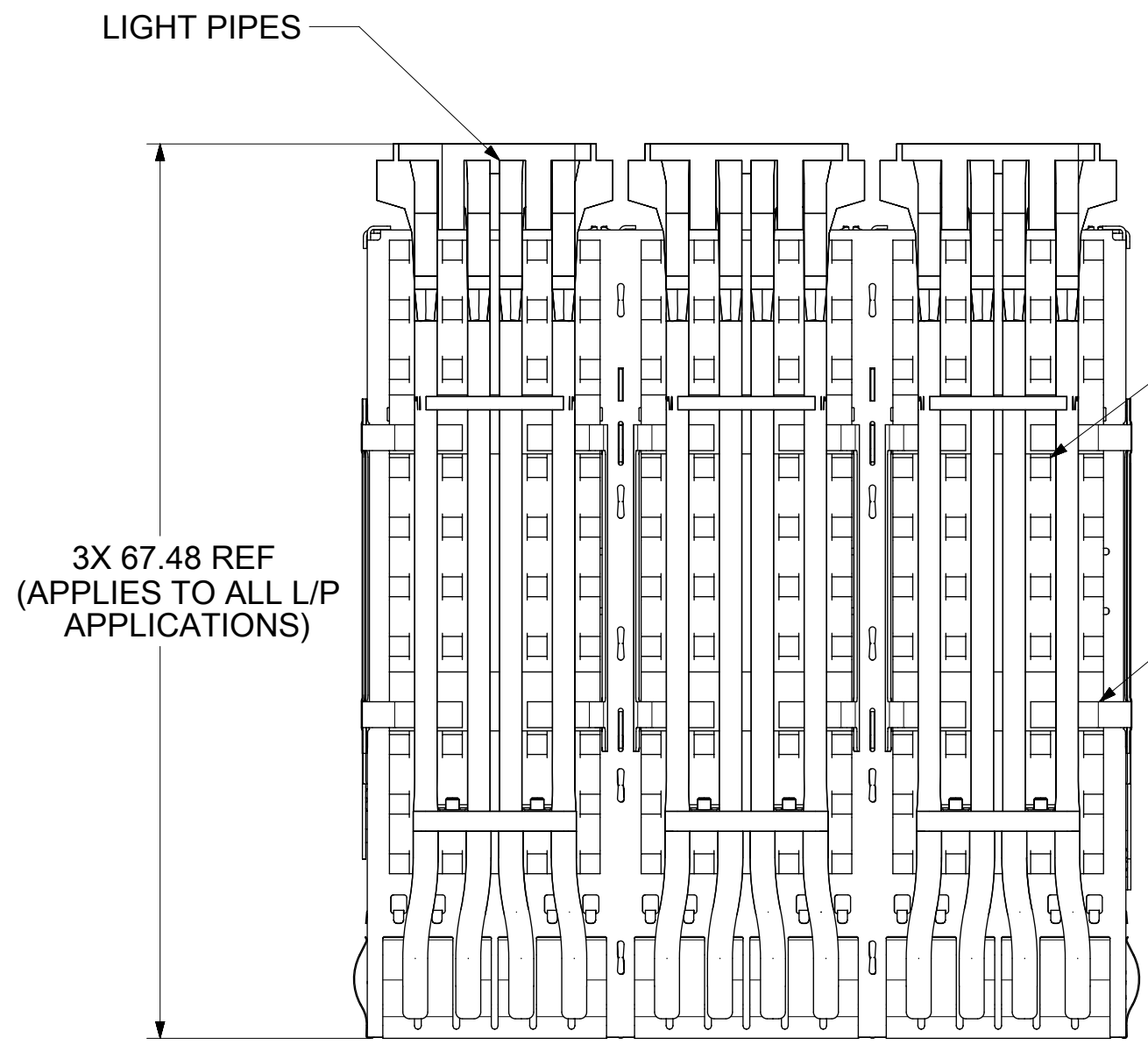
WEEK/YEAR DATE CODE TABLE	
WK	WEEK OF THE YEAR 01 THRU 52 (EXAMPLE: 01= FIRST WEEK OF YEAR 52= LAST WEEK OF YEAR)
YR	22, 23, 24 ETC.. (EXAMPLE: YEAR 2022= 22)

THIS DRAWING CONTAINS INFORMATION THAT IS PROPRIETARY TO MOLEX ELECTRONIC TECHNOLOGIES, LLC AND SHOULD NOT BE USED WITHOUT WRITTEN PERMISSION											
FUNCTIONAL SYMBOLS	DIMENSION UNITS	SCALE	CURRENT REV DESC: SEE REV TABLE								
$\nabla_A = 0$	mm	2:1	<p>molex</p> <p>ZQSFP+ 1X3 GANGED CAGE ASSY'S W/ SUS TAB TYPE SPRING FINGER, H/S & L/P OPTIONS</p> <p>PRODUCT CUSTOMER DRAWING</p>								
$\nabla_E = 0$	GENERAL TOLERANCES (UNLESS SPECIFIED)										
$\nabla_P = 0$	ANGULAR TOL ± 2.0°										
DIVISIONAL SYMBOLS	4 PLACES ±	3 PLACES ±	2 PLACES ± 0.13	1 PLACE ± 0.25	0 PLACES ±	EC NO: 698867	DRWN: VISHNM2	2022/02/22	CHK'D: TKUMARKC	2022/03/16	
	DRAFT WHERE APPLICABLE MUST REMAIN WITHIN DIMENSIONS		THIRD ANGLE PROJECTION	DRAWING	SERIES	INITIAL REVISION:	DRWN: VISHNM2	2022/02/22	APPR: JCHIANG	2022/03/17	
DOCUMENT STATUS	P1	RELEASE DATE	2022/03/17	10:10:57	C-SIZE	100016	1000163200	GENERAL MARKET	PSD	ASY	A
							SEE P/N TABLE				1 OF 7

CAGE ASSEMBLY OPTIONS

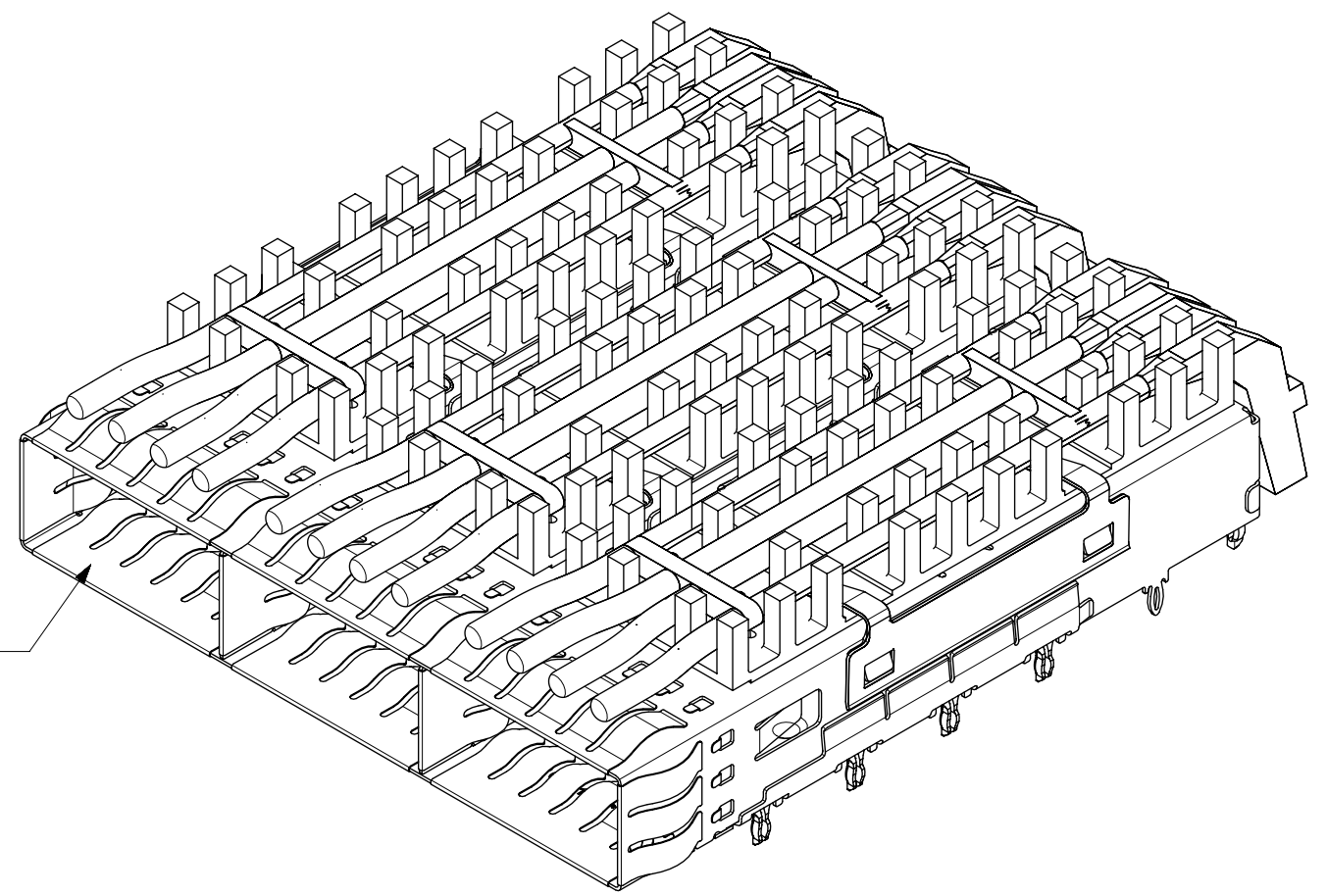
1000163547

SHOWN

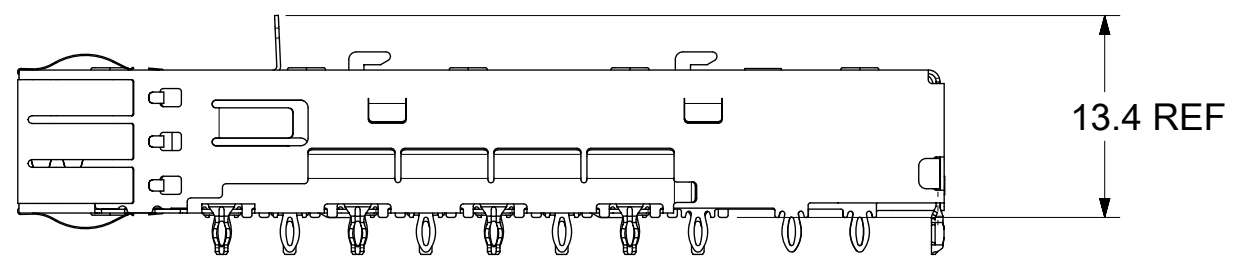


HEAT SINKS

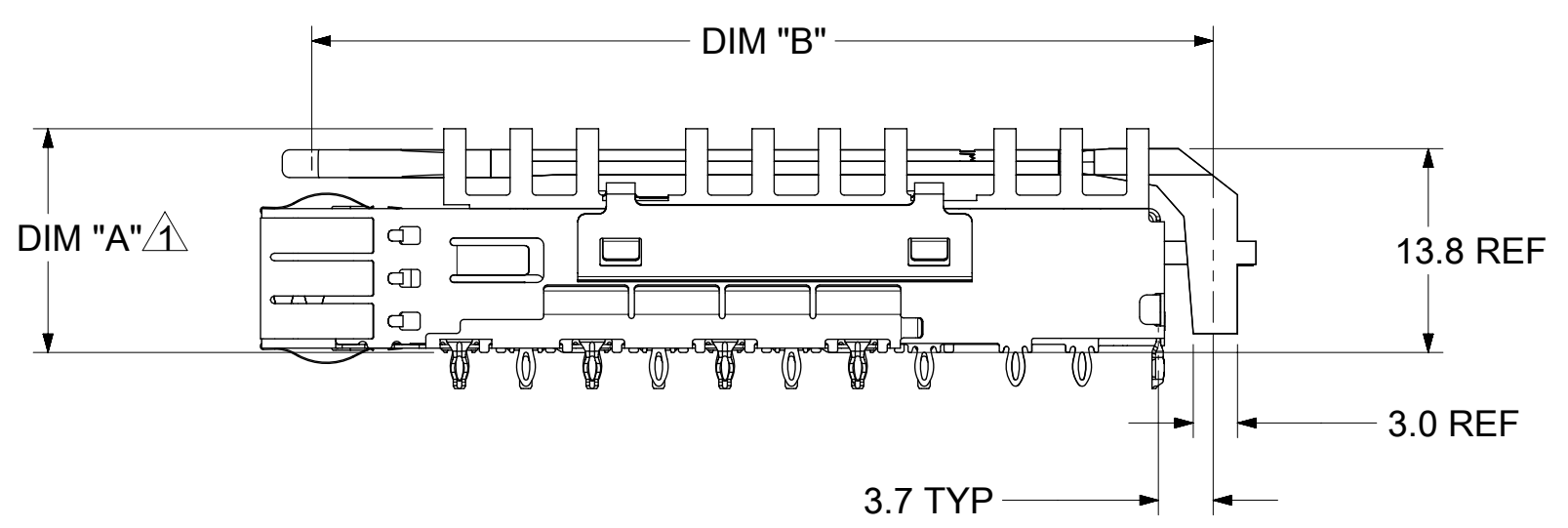
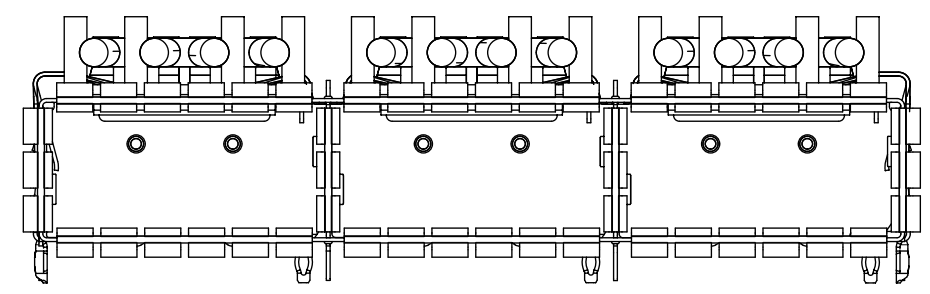
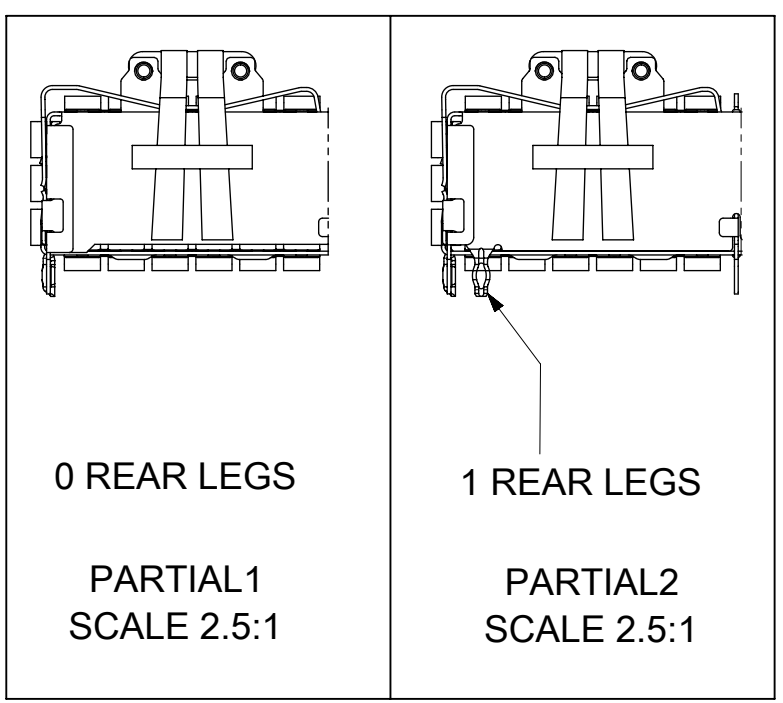
HEAT SINK/CLIP ASSY



SPRING FINGER



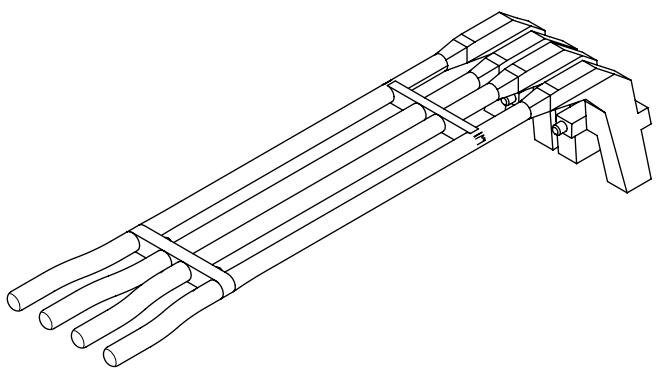
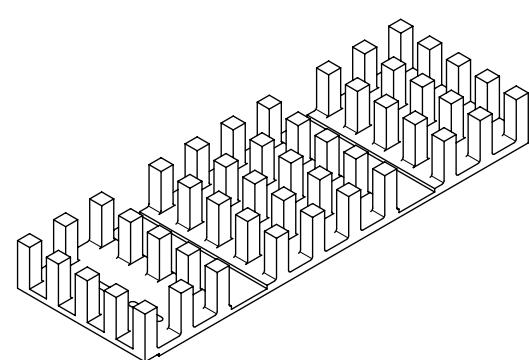
REAR LEG OPTIONS



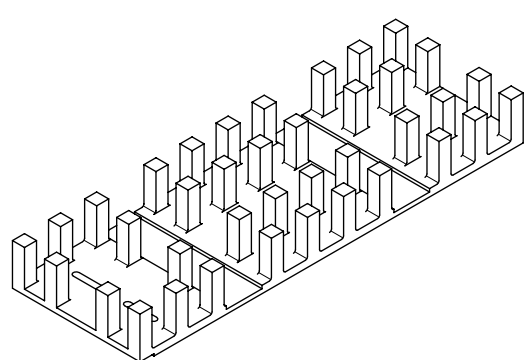
HEATSINK AND LIGHT PIPE COMBINATIONS

HEATSINK USED WITHOUT LIGHTPIPE

QUAD LIGHT PIPE



HEATSINK



HEATSINK HEIGHT OPTIONS

OVERALL HEAT SINK HEIGHT	DIM "A"
PCI	13.7 REF
SAN	16.0 REF
NET	23.0 REF

HEIGHT OF HEAT SINK WITH MODULE INSERTED. DIMENSION MAY BE LESS DUE TO MODULE AND HEAT SINK VARIATIONS

FUNCTIONAL SYMBOLS M = 0 E = 0 P = 0	THIS DRAWING CONTAINS INFORMATION THAT IS PROPRIETARY TO MOLEX ELECTRONIC TECHNOLOGIES, LLC AND SHOULD NOT BE USED WITHOUT WRITTEN PERMISSION		CURRENT REV DESC: SEE REV TABLE	
	DIMENSION UNITS	SCALE	EC NO: 698867	
	mm	2:1	DRWN: VISHNM2	2022/02/22
DIVISIONAL SYMBOLS	GENERAL TOLERANCES (UNLESS SPECIFIED)		CHK'D: TKUMARKC	
	ANGULAR TOL ± 2.0°		2022/03/16	
	4 PLACES ±		APPR: JCHIANG	
3 PLACES ±		2022/03/17		
2 PLACES ± 0.13		INITIAL REVISION:		
1 PLACE ± 0.25		DRWN: VISHNM2		
0 PLACES ±		2022/02/22		
DRAFT WHERE APPLICABLE MUST REMAIN WITHIN DIMENSIONS		APPR: JCHIANG		2022/03/17
THIRD ANGLE PROJECTION		DRAWING	SERIES	MATERIAL NUMBER
C-SIZE		100016	SEE P/N TABLE	CUSTOMER
			GENERAL MARKET	SHEET NUMBER
				2 OF 7

molex

ZQSFP+ 1X3 GANGED CAGE ASSY'S W/ SUS TAB TYPE SPRING FINGER, H/S & L/P OPTIONS

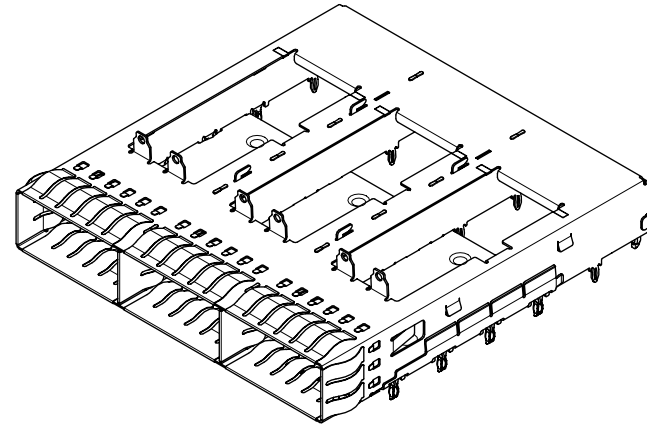
PRODUCT CUSTOMER DRAWING

DOCUMENT NUMBER
1000163200

DOC TYPE DOC PART REVISION
PSD ASY A

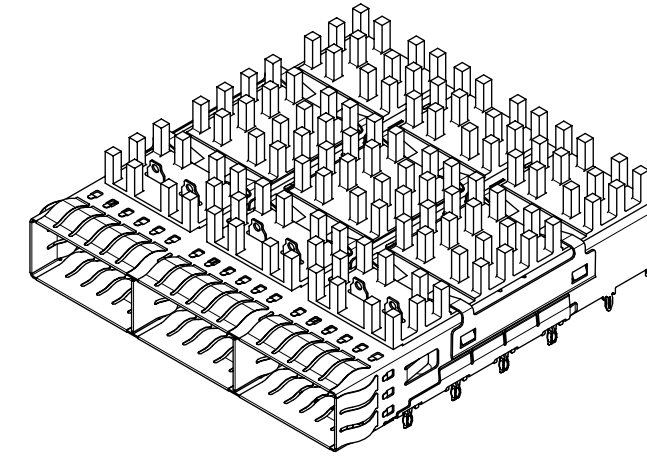
PART NUMBER SELECTION

NO HEATSINKS
NO LIGHT PIPES
OPEN TOP



MOLEX P/N W/ SPRING FINGERS	#OF REAR LEGS PER PORT
1000163252	1

WITH HEATSINKS
NO LIGHT PIPES

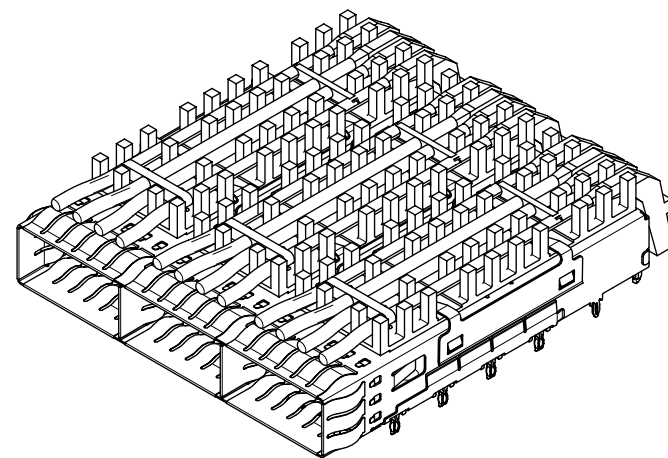


MOLEX P/N	HEATSINKS	#OF REAR LEGS PER PORT
1000163340	PCI	0
1000163345	NET	1

WITH HEATSINKS AND LIGHT PIPES

MOLEX P/N	LIGHTPIPES	HEATSINKS	#OF REAR LEGS PER PORT	DIM "B"
1000163547	QUAD	SAN	1	61.07 REF

QUAD LIGHT PIPE



FUNCTIONAL SYMBOLS	THIS DRAWING CONTAINS INFORMATION THAT IS PROPRIETARY TO MOLEX ELECTRONIC TECHNOLOGIES, LLC AND SHOULD NOT BE USED WITHOUT WRITTEN PERMISSION										
	DIMENSION UNITS	SCALE	CURRENT REV DESC: SEE REV TABLE								
$\frac{F}{A} = 0$	mm	1:1	EC NO: 698867 DRWN: VISHNM2 2022/02/22 CHK'D: TKUMARKC 2022/03/16 APPR: JCHIANG 2022/03/17								
$\frac{E}{C} = 0$	GENERAL TOLERANCES (UNLESS SPECIFIED)									ANGULAR TOL $\pm 2.0^\circ$	
$\frac{E}{P} = 0$	4 PLACES \pm	3 PLACES \pm	2 PLACES ± 0.13	1 PLACE ± 0.25	0 PLACES \pm	INITIAL REVISION:		DOCUMENT NUMBER	DOC TYPE	DOC PART	REVISION
DIVISIONAL SYMBOLS	DRAFT WHERE APPLICABLE MUST REMAIN WITHIN DIMENSIONS		THIRD ANGLE PROJECTION	DRAWING	SERIES	MATERIAL NUMBER	CUSTOMER	SHEET NUMBER			
				C-SIZE	100016	SEE P/N TABLE	GENERAL MARKET	1000163200	PSD	ASY	A
											3 OF 7

DOCUMENT STATUS	P1	RELEASE DATE	2022/03/17 10:10:57
-----------------	----	--------------	---------------------

PCB LAYOUT FOR SINGLE SIDED MOUNTING

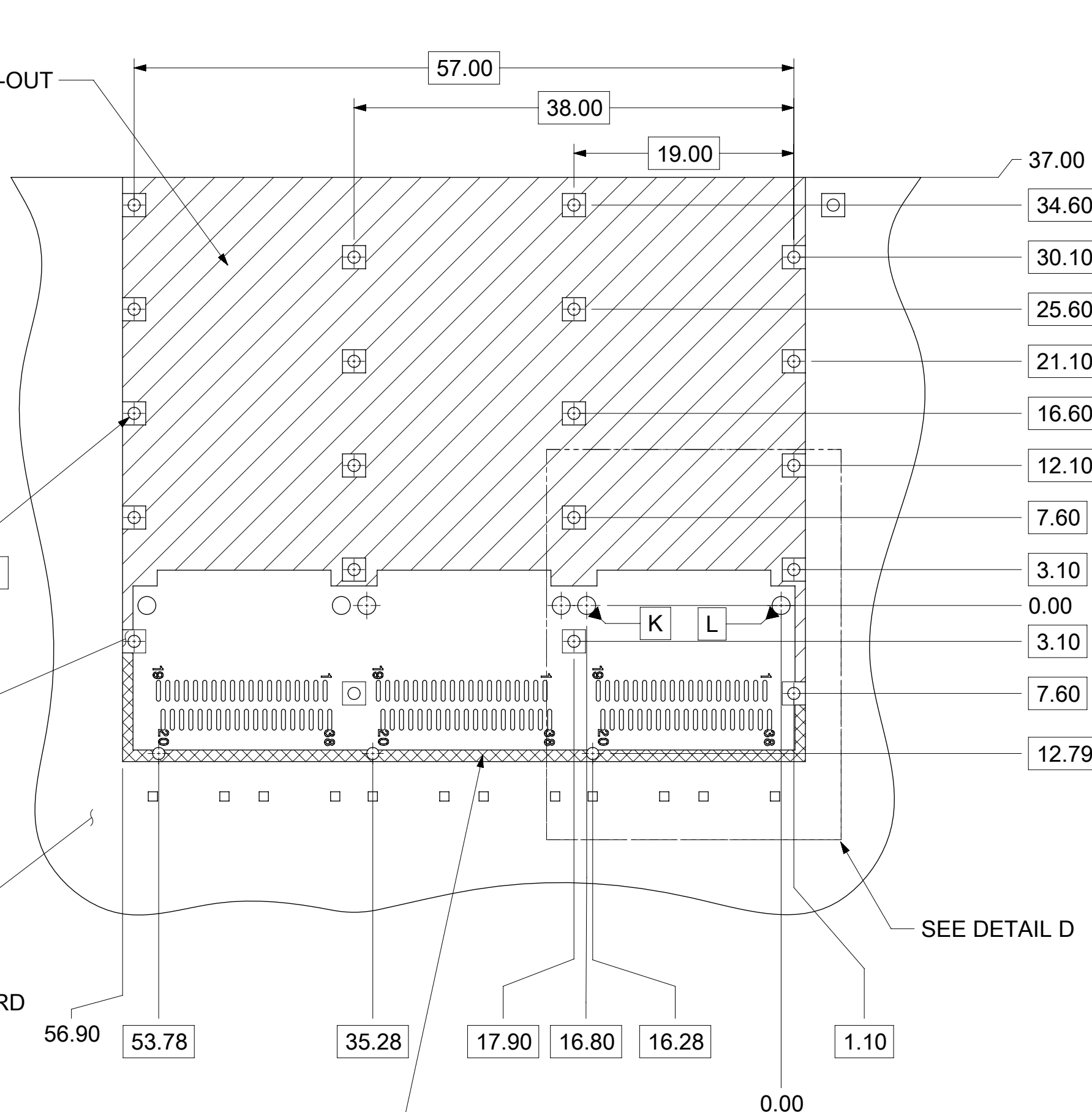
HATCHED AREA DENOTES COMPONENT AND TRACE KEEP-OUT (EXCEPT CHASSIS GROUND)

Ø 1.05 ± 0.05 TYP
 ⊕ Ø 0.10 (M) A K L

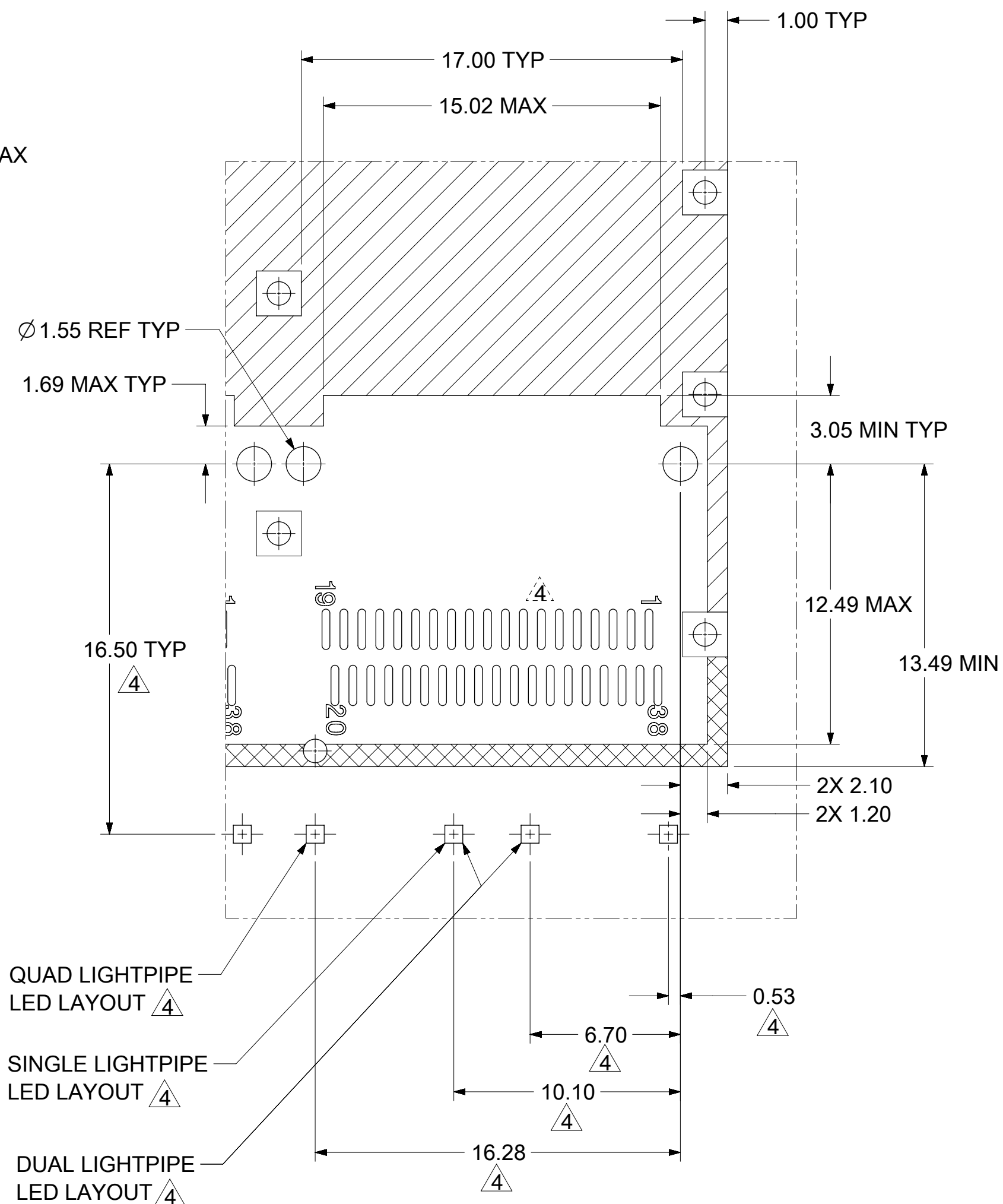
AREA DENOTES COMPONENT KEEP-OUT (TRACES ALLOWED)

DATUM -A- IS THE TOP SURFACE OF HOST BOARD

CROSS HATCHED AREA DENOTES WHERE SURFACE TRACES ARE PERMITTED



SEE DETAIL D

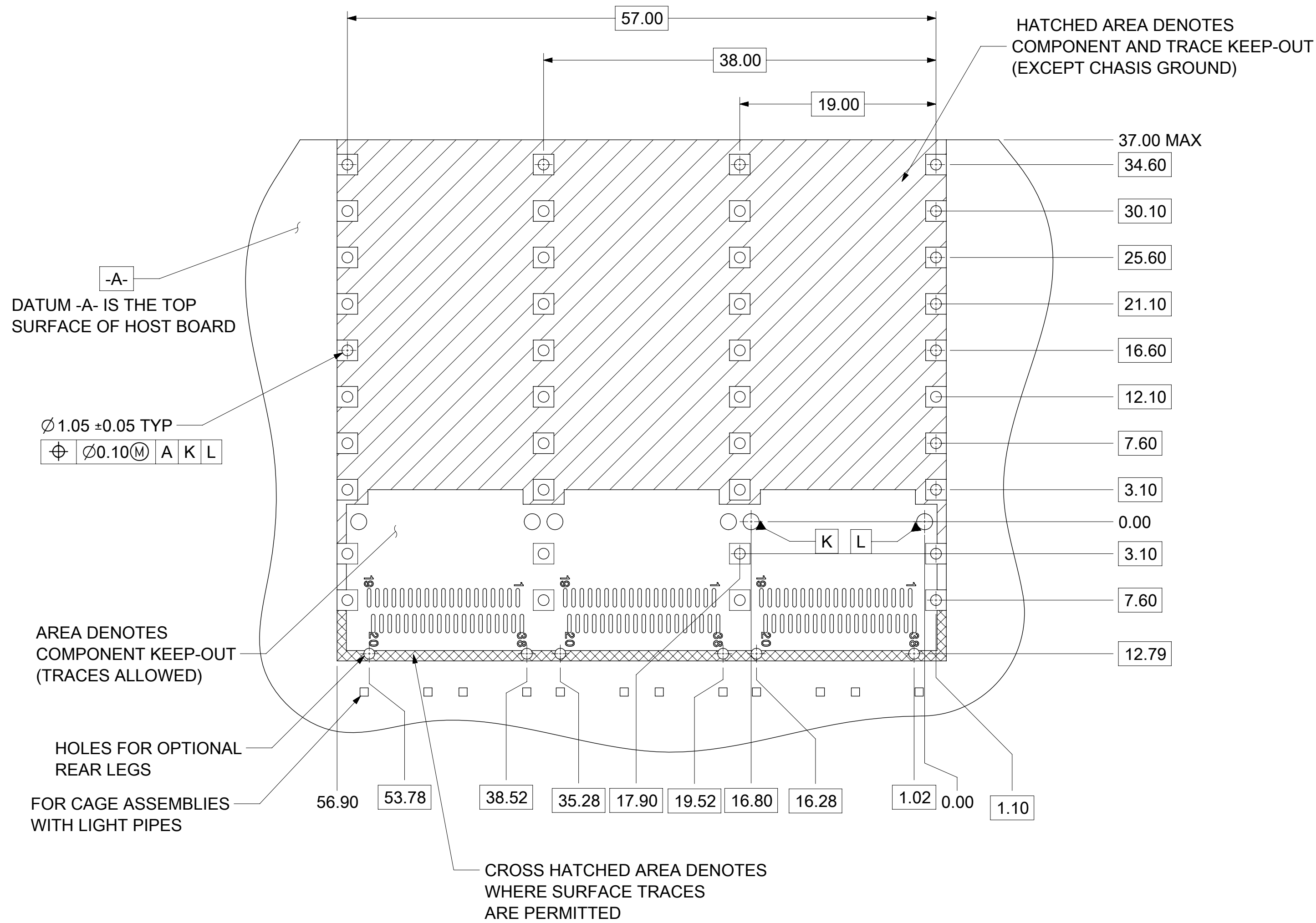


DETAIL D
SCALE 5:1

- NOTES:
- PADS AND VIAS GO TO CHASSIS GROUND. (RECOMMENDED PADS TO BE 2.00mm SQUARE.)
 - RECOMMENDED THRU HOLE PLATING INCLUDES HASL, OSP, OR IMMERSION (GOLD, SILVER, OR TIN).
 - CONNECTOR PAD LAYOUT PER SFF-8663 WILL ACCOMODATE MOLEX CONNECTOR SERIES 170432.
- ⚠ NOTED DIMENSIONS ONLY APPLY TO CAGE ASSEMBLIES WITH LIGHT PIPES.

FUNCTIONAL SYMBOLS	THIS DRAWING CONTAINS INFORMATION THAT IS PROPRIETARY TO MOLEX ELECTRONIC TECHNOLOGIES, LLC AND SHOULD NOT BE USED WITHOUT WRITTEN PERMISSION		CURRENT REV DESC: SEE REV TABLE					
	THIS DRAWING CONTAINS INFORMATION THAT IS PROPRIETARY TO MOLEX ELECTRONIC TECHNOLOGIES, LLC AND SHOULD NOT BE USED WITHOUT WRITTEN PERMISSION	SCALE	CURRENT REV DESC: SEE REV TABLE					ZQSFP+ 1X3 GANGED CAGE ASSY'S W/ SUS TAB TYPE SPRING FINGER, H/S & L/P OPTIONS
	GENERAL TOLERANCES (UNLESS SPECIFIED)	mm	3.5:1	EC NO: 698867		PRODUCT CUSTOMER DRAWING		
	ANGULAR TOL ± 2.0°	4 PLACES	±	DRWN: VISHNM2	2022/02/22	DOCUMENT NUMBER		
DIVISIONAL SYMBOLS	3 PLACES	±	CHK'D: TKUMARKC	2022/03/16	1000163200			
	2 PLACES	± 0.13	APPR: JCHIANG	2022/03/17	PSD ASY A			
	1 PLACE	± 0.25	INITIAL REVISION:		MATERIAL NUMBER			
	0 PLACES	±	DRWN: VISHNM2	2022/02/22	CUSTOMER			
			APPR: JCHIANG	2022/03/17	GENERAL MARKET			
DRAFT WHERE APPLICABLE MUST REMAIN WITHIN DIMENSIONS	THIRD ANGLE PROJECTION	DRAWING	SERIES	SHEET NUMBER		4 OF 7		
		C-SIZE	100016					

PCB LAYOUT FOR BELLY TO BELLY MOUNTING

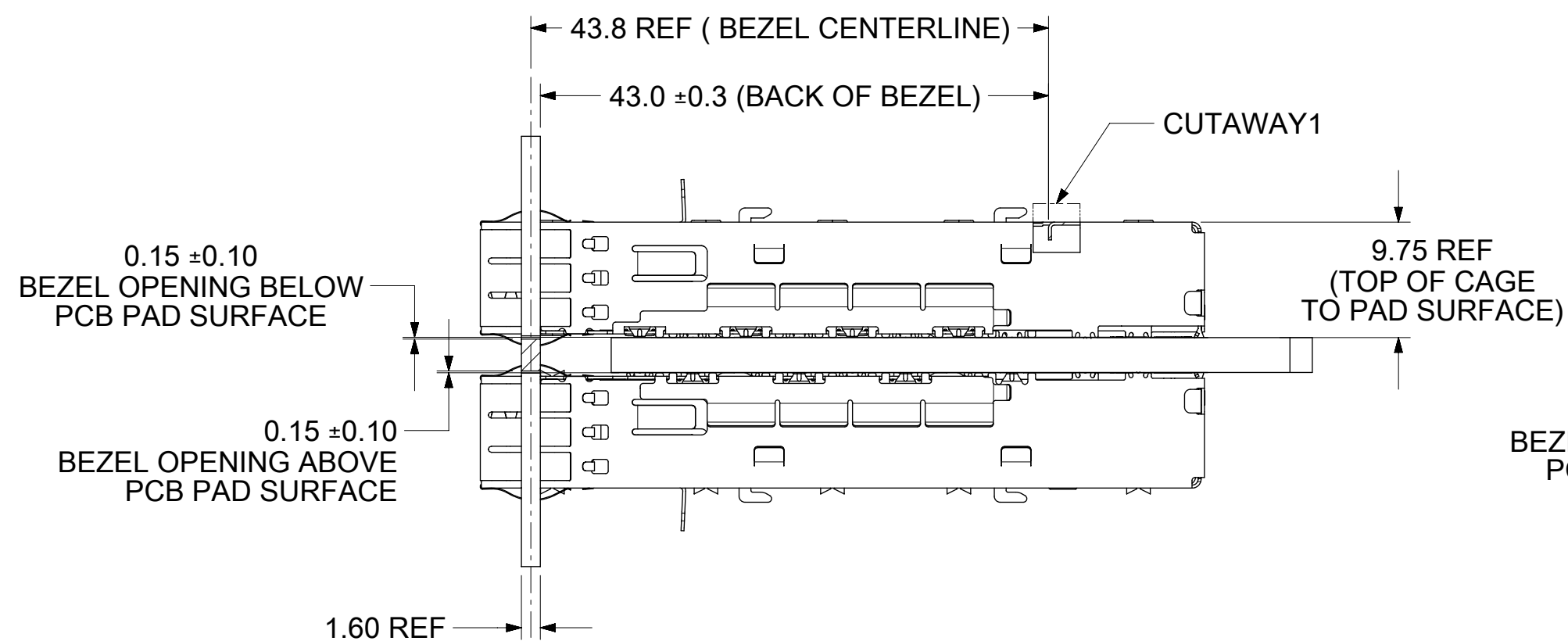


NOTE:
SEE SHEET 4 FOR
HOST CONNECTOR DETAIL
AND LED LOCATION DETAILS

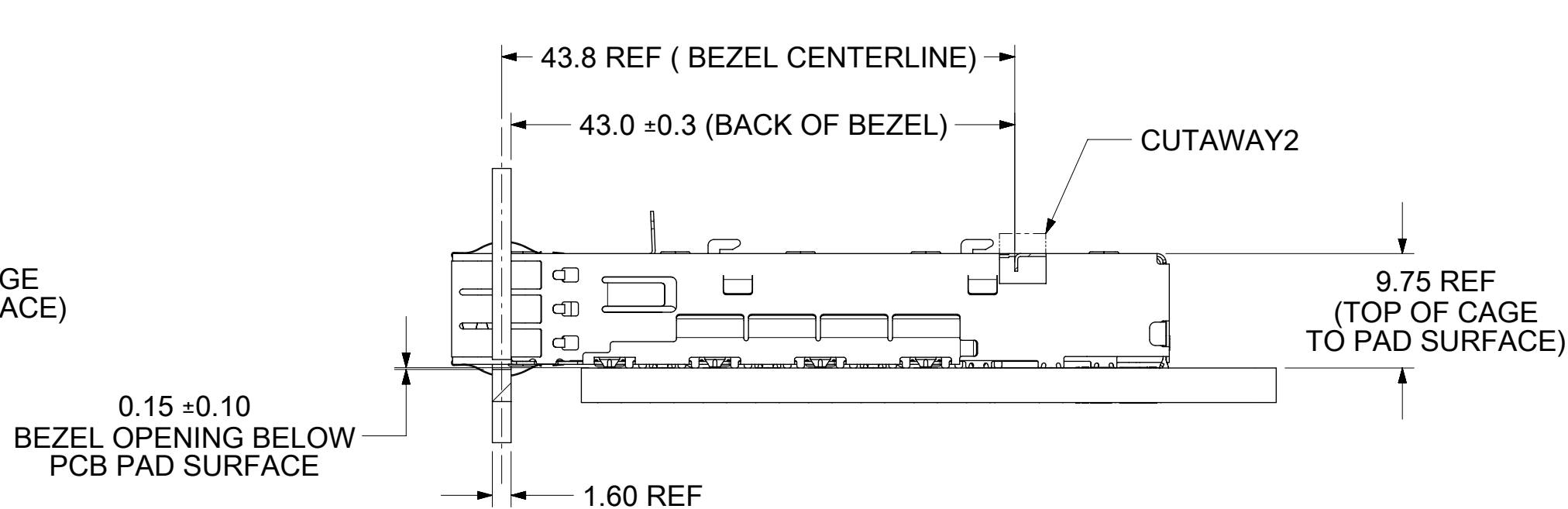
- NOTES:
1. PADS AND VIAS GO TO CHASSIS GROUND. (RECOMMENDED PADS TO BE 2.00mm SQUARE.)
 2. RECOMMENDED THRU HOLE PLATING INCLUDES HASL, OSP, OR IMMERSION (GOLD, SILVER, OR TIN).
 3. CONNECTOR PAD LAYOUT PER SFF-8663 WILL ACCOMODATE MOLEX CONNECTOR SERRIES 170432.

FUNCTIONAL SYMBOLS		THIS DRAWING CONTAINS INFORMATION THAT IS PROPRIETARY TO MOLEX ELECTRONIC TECHNOLOGIES, LLC AND SHOULD NOT BE USED WITHOUT WRITTEN PERMISSION		CURRENT REV DESC: SEE REV TABLE			
DIMENSION UNITS		SCALE		EC NO: 698867			
mm		3:1		DRWN: VISHNM2		2022/02/22	
GENERAL TOLERANCES (UNLESS SPECIFIED)		ANGULAR TOL ± 2.0°		CHK'D: TKUMARKC		2022/03/16	
4 PLACES ±		3 PLACES ±		APPR: JCHIANG		2022/03/17	
2 PLACES ± 0.13		1 PLACE ± 0.25		INITIAL REVISION:		DOCUMENT NUMBER	
0 PLACES ±		DRAFT WHERE APPLICABLE MUST REMAIN WITHIN DIMENSIONS		DRWN: VISHNM2		2022/02/22	
THIRD ANGLE PROJECTION		DRAWING		APPR: JCHIANG		2022/03/17	
C-SIZE		SERIES		MATERIAL NUMBER		CUSTOMER	
100016		SEE P/N TABLE		GENERAL MARKET		SHEET NUMBER	
1		5 OF 7		PSD		ASY	
A		A		A		A	

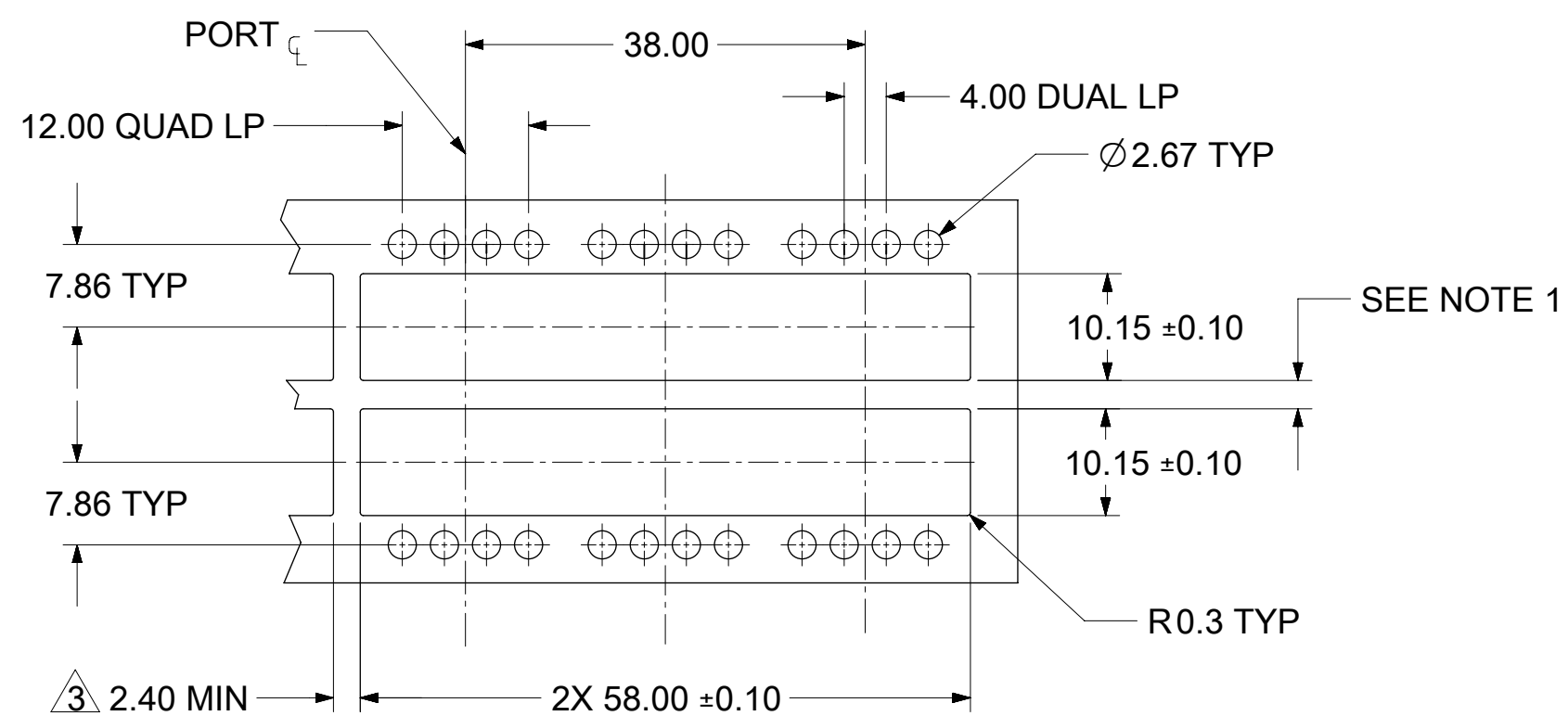
BEZEL AND BOARD POSITION DIMENSIONS FOR BELLY TO BELLY MOUNTING



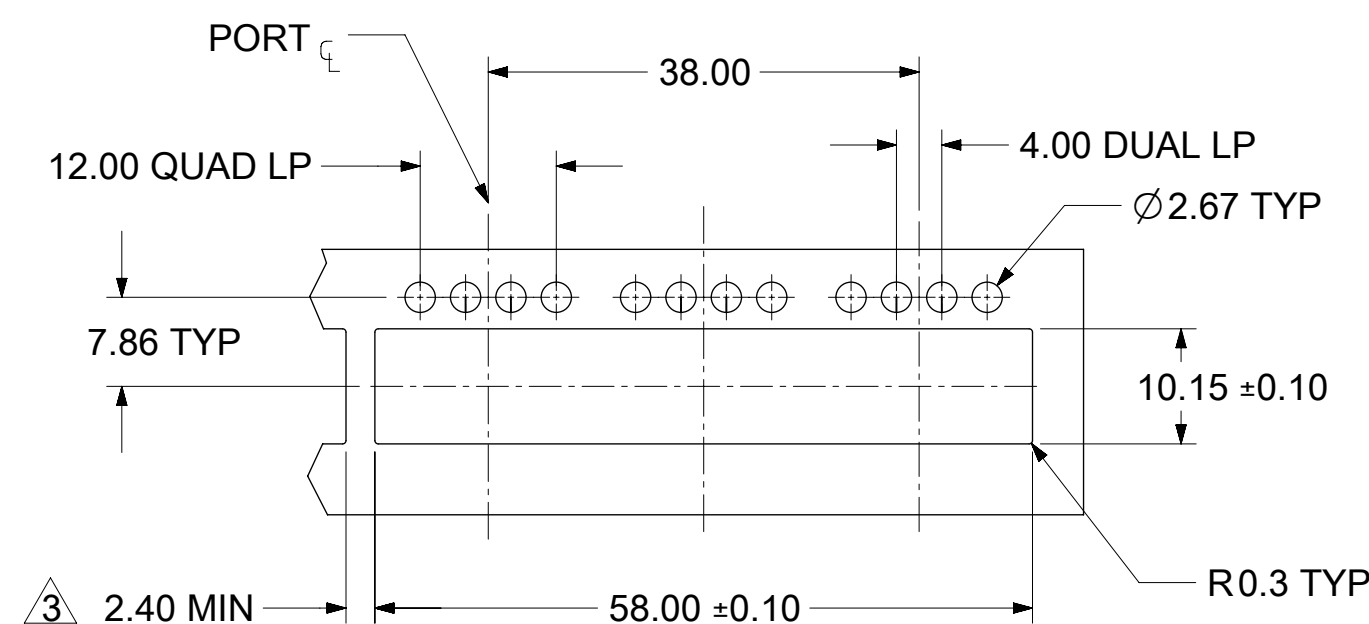
BEZEL AND BOARD POSITION DIMENSIONS FOR SINGLE SIDE MOUNTING



DUAL/QUAD LIGHT PIPE ²



DUAL LIGHT PIPE ²


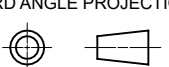


NOTE:
 1. PCB THICKNESS VARIATION MUST BE CONSIDERED WHEN DETERMINING BEZEL OPENING LOCATION.
² NOTED DIMENSIONS ONLY APPLY TO CAGE ASSEMBLIES WITH LIGHT PIPES.
³ THIS DIMENSION IS FOR REFERENCE ONLY. USER CAN MODIFY IT DEPENDS ON APPLICATION. (THIS DIMENSION VARIES BASED ON DISTANCE OF " HOLE OF ADIACENT CAGE" ON PCB LAYOUT.)

FUNCTIONAL SYMBOLS	THIS DRAWING CONTAINS INFORMATION THAT IS PROPRIETARY TO MOLEX ELECTRONIC TECHNOLOGIES, LLC AND SHOULD NOT BE USED WITHOUT WRITTEN PERMISSION		CURRENT REV DESC: SEE REV TABLE		
	DIMENSION UNITS	SCALE			
$\frac{E}{A} = 0$	mm	2:1			ZQSFP+ 1X3 GANGED CAGE ASSY'S W/ SUS TAB TYPE SPRING FINGER, H/S & L/P OPTIONS
$\frac{E}{C} = 0$	GENERAL TOLERANCES (UNLESS SPECIFIED)				
$\frac{E}{P} = 0$	ANGULAR TOL ± 2.0°				PRODUCT CUSTOMER DRAWING
DIVISIONAL SYMBOLS	4 PLACES	±	EC NO: 698867	2022/02/22	
	3 PLACES	±	DRWN: VISHNM2	2022/03/16	
	2 PLACES	± 0.13	CHK'D: TKUMARKC	2022/03/17	
	1 PLACE	± 0.25	APPR: JCHIANG		
	0 PLACES	±	INITIAL REVISION:		
	DRAFT WHERE APPLICABLE MUST REMAIN WITHIN DIMENSIONS		DRWN: VISHNM2	2022/02/22	DOCUMENT NUMBER
	THIRD ANGLE PROJECTION		APPR: JCHIANG	2022/03/17	1000163200
	DRAWING		SERIES	MATERIAL NUMBER	CUSTOMER
	C-SIZE		100016	SEE P/N TABLE	GENERAL MARKET
					PSD ASY A
					SHEET NUMBER
					6 OF 7

DOCUMENT STATUS	P1	RELEASE DATE	2022/03/17 10:10:57
-----------------	----	--------------	---------------------

REV	DATE	DESCRIPTION
A	2022/02/22	RELEASE

FUNCTIONAL SYMBOLS	THIS DRAWING CONTAINS INFORMATION THAT IS PROPRIETARY TO MOLEX ELECTRONIC TECHNOLOGIES, LLC AND SHOULD NOT BE USED WITHOUT WRITTEN PERMISSION										
	DIMENSION UNITS	SCALE	CURRENT REV DESC: SEE REV TABLE								
$\frac{F}{A} = 0$	mm	1:1	EC NO: 698867 DRWN: VISHNM2 2022/02/22 CHK'D: TKUMARKC 2022/03/16 APPR: JCHIANG 2022/03/17								
$\frac{F}{C} = 0$	GENERAL TOLERANCES (UNLESS SPECIFIED)										
$\frac{F}{P} = 0$	ANGULAR TOL ± 2.0°		INITIAL REVISION: DRWN: VISHNM2 2022/02/22 APPR: JCHIANG 2022/03/17							PRODUCT CUSTOMER DRAWING	
DIVISIONAL SYMBOLS	4 PLACES ±	3 PLACES ±								DOCUMENT NUMBER	
	2 PLACES ± 0.13	1 PLACE ± 0.25	1000163200		PSD	ASY	A				
	0 PLACES ±		MATERIAL NUMBER		CUSTOMER		SHEET NUMBER				
	DRAFT WHERE APPLICABLE MUST REMAIN WITHIN DIMENSIONS		SEE P/N TABLE		GENERAL MARKET		7 OF 7				
	THIRD ANGLE PROJECTION		DRAWING		SERIES						
			C-SIZE		100016						