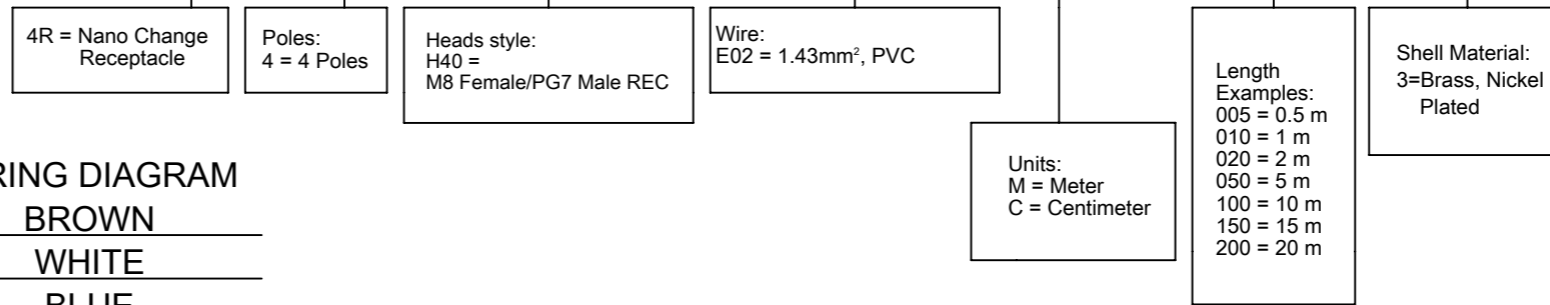


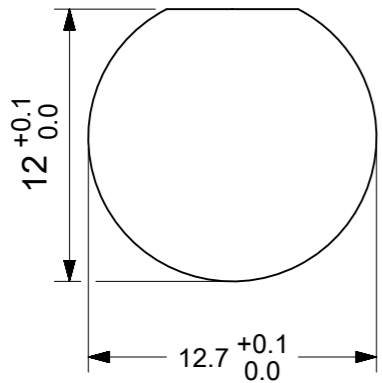
PRODUCT SPECIFICATION:
 PROTECTION CLASS - IP67
 VOLTAGE RATING - 60 Vac / 75 Vdc
 CONTACT CURRENT RATING - 4 Amps

PART No MATRIX

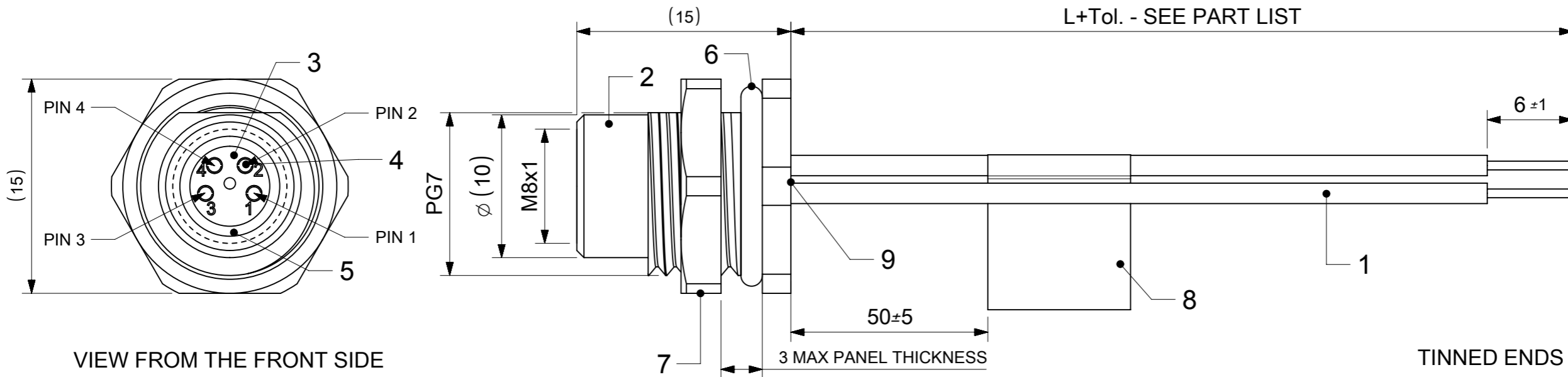
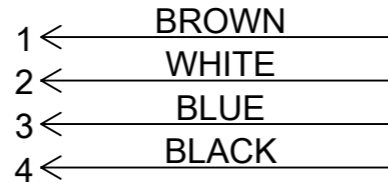
4 R 4 H 4 0 E 0 2 X X X X 3



PANEL CUTOUT



WIRING DIAGRAM



BILL OF MATERIALS

ITEM	QTY	DESCRIPTION	MATERIAL	FINISH/COLOR
9	-	POTTING MATERIAL	WEVO	-
8	1	LABEL	VINYL	YELLOW
7	1	LOCKNUT PG7	BRASS	NICKEL PLATED
6	1	O-RING	FPM	BLACK
5	1	GASKET 5x0.8	FKM	RED
4	4	CONTACT 10 FE	BRONZE	GOLD OVER NICKEL PLATED
3	1	INSERT M8 4P FE	PUR	BLACK
2	1	REC SHELL M8(FE)xPG7(M)	BRASS	NICKEL PLATED
1	-	WIRES;24AWG;OD=1.43mm	PVC	-

PART LIST

MOLEX PN	ENGINEERING NO	L+Tol.[mm]
1200310022	4R4H40E02C3003	300 +19
1200310035	4R4H40E02M0103	1000 +56

THIS DRAWING CONTAINS INFORMATION THAT IS PROPRIETARY TO MOLEX ELECTRONIC TECHNOLOGIES, LLC AND SHOULD NOT BE USED WITHOUT WRITTEN PERMISSION

SYMBOLS: DIMENSION UNITS: mm, SCALE: 3:1, CURRENT REV DESC: EC NO: 607527, DRWN: MKOWALCZYK01 2018/11/09, CHK'D: DSTACHOWIAK 2018/11/13, APPR: DSTACHOWIAK 2018/11/13, INITIAL REVISION: DRWN: MKOWALCZYK01 2018/11/09, APPR: DSTACHOWIAK 2018/11/13

molex

NC-4P-XW-FE-REC PG7-XXM-PVC

PRODUCT CUSTOMER DRAWING

DOCUMENT NUMBER: 1200310022, DOC TYPE: PSD, DOC PART: 000, REVISION: A

DRAFT WHERE APPLICABLE MUST REMAIN WITHIN DIMENSIONS, THIRD ANGLE PROJECTION, DRAWING: A3-SIZE, SERIES: 120031, MATERIAL NUMBER: SEE PART LIST, CUSTOMER: GENERAL MARKET, SHEET NUMBER: 1 OF 1