

PART No. MATRIX

E 1 6 A 0 6 0 1 6 BK X X X X X

E=ETHERNET/
Ethernet

HEADS:
1 = M12 D-Coding
6 = RJ45

HEADS STYLE:
060 = MALE STR / MALE STR

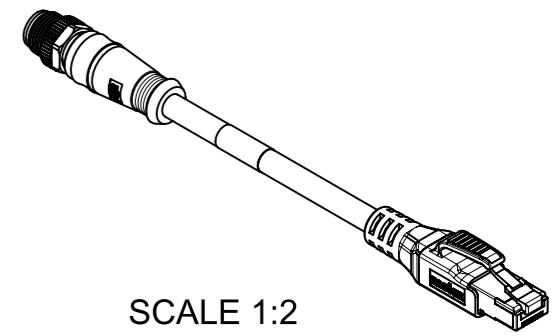
CABLE TYPE :
CABLE 16 BK

UNITS:
M= METER
T= 10xMETER

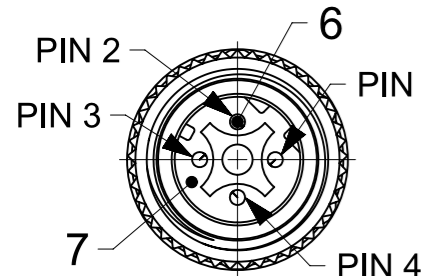
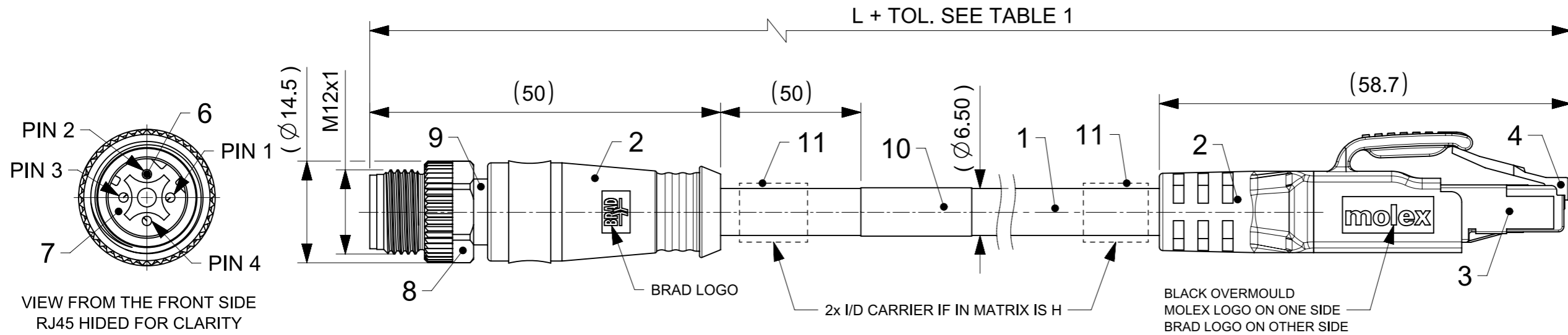
LENGTH EXAMPLES:
005=0.5 m
010=1 m
150=15 m
T100=100 m

H= 2 PCS. OF I/D Carrier

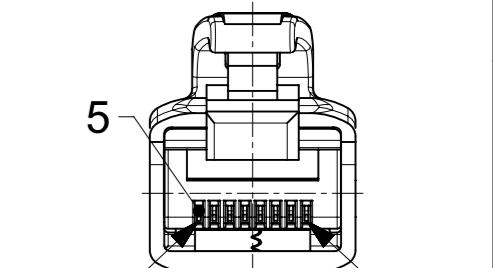
WIRING TYPE:
A=4 Pole (STRAIGHT WIRED)



SCALE 1:2



VIEW FROM THE FRONT SIDE
RJ45 HIDDEN FOR CLARITY
SCALE 2:1



PIN 1
CONNECTOR PIN ASSIGNMENT
VIEW FROM THE FRONT SIDE
M12 HIDDEN FOR CLARITY
SCALE 2:1

TECHNICAL DATA :

1. M12 D-CODED TO RJ45 CAT5e CORDSET AWG24
STRAIGHT TEAL INLINE 360° SHIELDED.

2. POLES : 4

Max. VOLTAGE : 30V A.C. or 42V D.C.

Max. CURRENT : 1.5A

CONTACT RESISTANCE : $\leq 10 \text{ m}\Omega$

INSULATION WITHSTAND : $>100\text{M}\Omega$

PROTECTION CLASS M12 / RJ45 : IP67 / IP20

TEMPERATURE RANGE : -25°C to 80°C

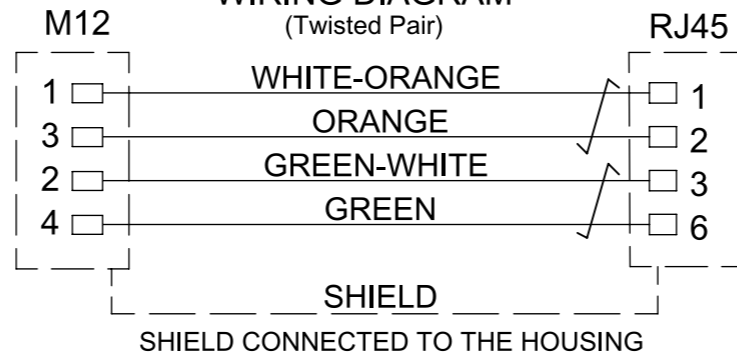
3. TRANSMISSION CHARACTERISTICS :

(CATEGORY) : CAT5e, EtherNET

4. PACKAGING : THE CORDSETS ARE PACKED IN POLYBAG

5. TRANSMISSION CHARACTERISTICS ACCORDING TO
ISO/IEC 11801 CATEGORY 5e PATCH CORD PROFINET TYPE C

WIRING DIAGRAM (Twisted Pair)



BOM

* NOTE : ID CARRIER APPLICABLE, IF ENGINEERING No. HAS "H" (SEE TABLE1)

ITEM	QTY	DESCRIPTION	MATERIAL	FINISH/COLOR
11	2	ID CARRIER	PVC	TRANSPARENT
10	1	LABEL 2.0X1.75	VINYL	YELLOW
9	1	M12 M STR SHLD	BRASS	Ni-PLATED
8	1	NUT M12 MALE	BRASS	Ni-PLATED
7	1	INSERT 4P M12 MALE	PUR	BLACK
6	4	CONTACT 10 MALE	Cu/Ni2	GOLD OVER NICKEL
5	4	CONTACT RJ45	PHOSPHOR BRONZE	SELECTIVE GOLD
4	1	PLUG RJ45 TRANSPARENT	PC	-
3	1	SHIELD	BRASS	TIN
2	-	MOULDING MATERIAL	TPU	BLACK
1	-	CABLE 2x2x24AWG SHIELD	TPU	BLACK

TABLE 1

MOLEX PN	ENGINEERING NO	L (m)
1201088961	E16A06016BKM005	0.5
1201088962	E16A06016BKM010	1
1201088963	E16A06016BKM020	2
1201088964	E16A06016BKM030	3
1201088965	E16A06016BKM050	5
1201088966	E16A06016BKM100	10

TABLE 2

CABLE LENGTH TOLERANCES	
LENGTH	TOLERANCE
0m-1m	+40 mm
>1m-5m	+60 mm
>5m-10m	+80 mm
>10m-20m	+140 mm
>20m-30m	+160 mm
>30m	+1% length

FUNCTIONAL SYMBOLS $\nabla/\bar{A}=0$ $\nabla/\bar{E}=0$ $\nabla/\bar{V}=0$	THIS DRAWING CONTAINS INFORMATION THAT IS PROPRIETARY TO MOLEX ELECTRONIC TECHNOLOGIES, LLC AND SHOULD NOT BE USED WITHOUT WRITTEN PERMISSION	SCALE mm 3:2	CURRENT REV DESC:	
	GENERAL TOLERANCES (UNLESS SPECIFIED)	ANGULAR TOL $\pm 1.0^\circ$	4 PLACES \pm	3 PLACES \pm
DIVISIONAL SYMBOLS	EC NO: 689781	DRWN: SSM	2021/08/02	2021/12/21
	CHK'D: RSILLER	APPR: RSILLER	2021/12/21	2021/12/21
	INITIAL REVISION:	DRWN: SSM	2021/08/02	2021/12/21
	APPR: RSILLER			
DRAFT WHERE APPLICABLE MUST REMAIN WITHIN DIMENSIONS	THIRD ANGLE PROJECTION	DRAWING	SERIES	MATERIAL NUMBER
		A3-SIZE	120108	SEE TABLE 1
		CUSTOMER	GENERAL MARKET	
		SHEET NUMBER	1 OF 1	