

NOTES:

1. ELECTRICAL:

- VOLTAGE RATING PER IEC 60664: 300V
- VOLTAGE RATING PER UL: 300V
- CURRENT: 8A

2. TEMP RATING: -25° TO +60°C

3. PROTECTION: IP67 (WHEN MATED)

4. COUPLING THREAD" 7/8-16

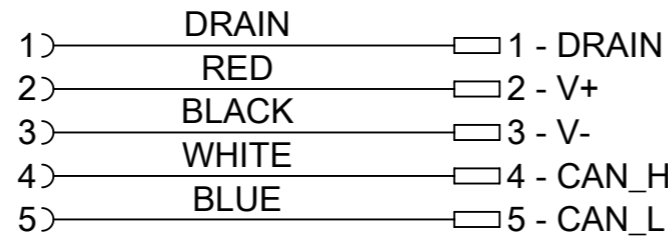
5. AGENCY:

- UL RECOGNIZED, FILE: E152210
- CSA CERTIFICATION FILE: LR6837

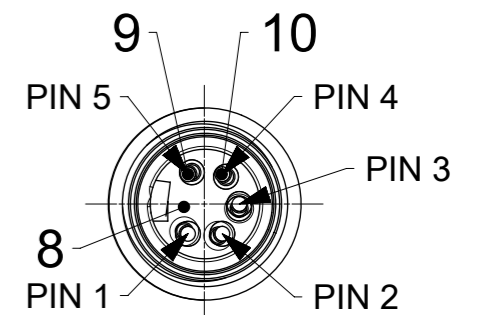
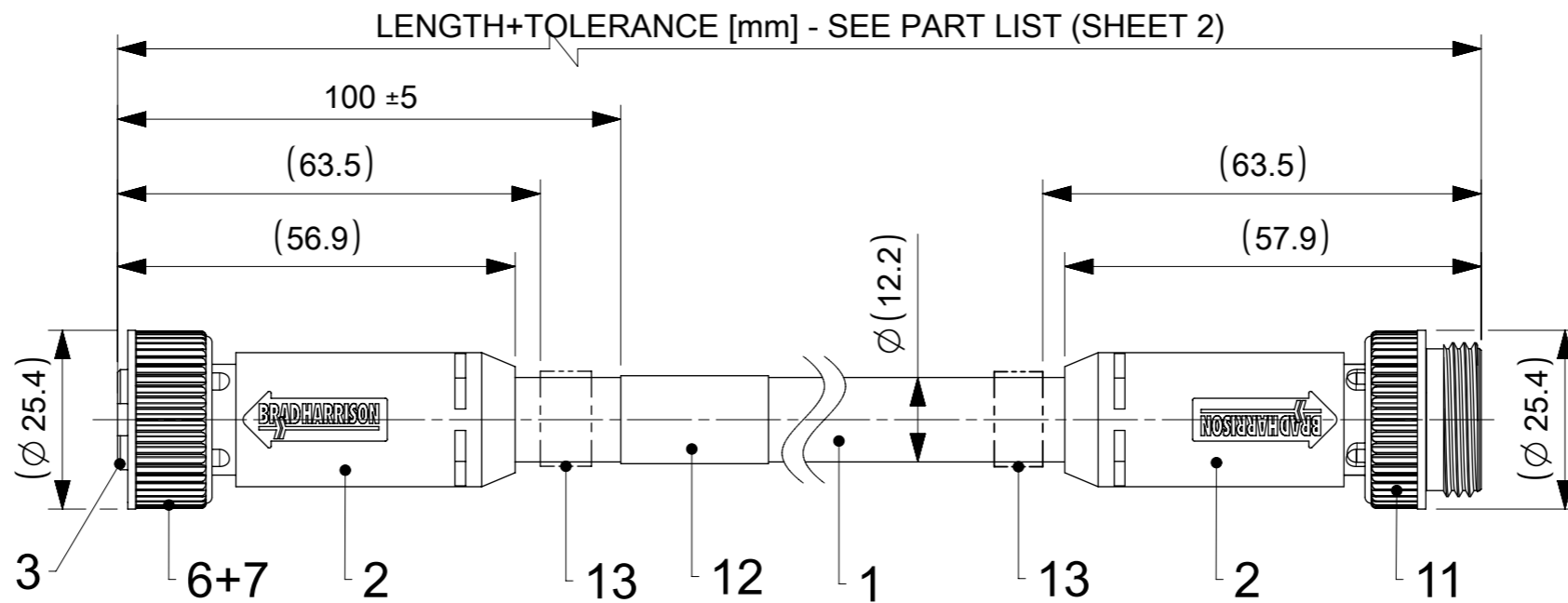
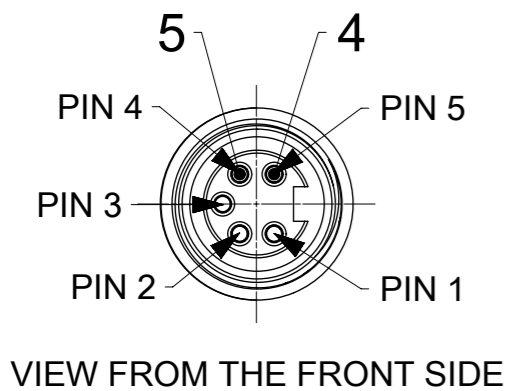
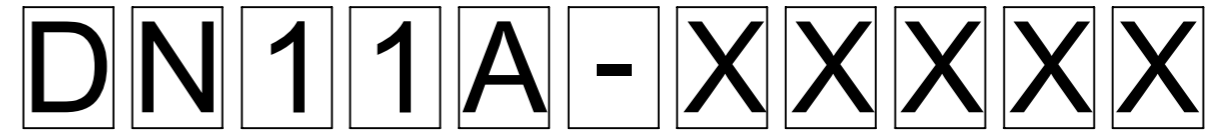
6 ALL DIMS ARE FOR REFERENCE UNLES NOTED OTHERWISE

7. PART NUMBERS WITH "H" HAVE TWO ID MARKERS ONE ON EACH END

WIRING DIAGRAM

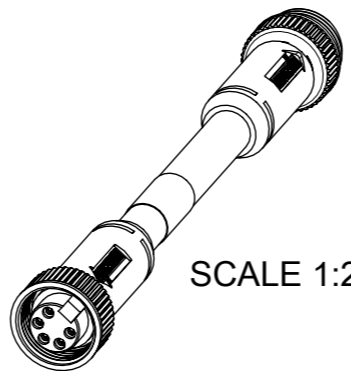


PART No. MATRIX



BILL OF MATERIALS

| ITEM | QTY | DESCRIPTION                  | MATERIAL | FINISH/COLOR        |
|------|-----|------------------------------|----------|---------------------|
| 13   | 2   | ID CARRIER                   | PVC      | -                   |
| 12   | 1   | LABEL WRAP                   | VINYL    | YELLOW              |
| 11   | 1   | COUPLING NUT A-SIZE EXT.     | ZINC     | BLACK               |
| 10   | 2   | PIN CONTACT 16 AWG           | COPPER   | GOLD OVER Ni-PLATED |
| 9    | 3   | PIN CONTACT 18 AWG           | COPPER   | GOLD OVER Ni-PLATED |
| 8    | 1   | HOUSING A-SIZE 5P MALE       | ARNITEL  | BLACK               |
| 7    | 1   | FRICTION RING A-SIZE         | NYLON    | GRAY                |
| 6    | 1   | MC COUPLING NUT A-SIZE       | ZINC     | BLACK               |
| 5    | 2   | MC SOCKET SLEEVE ASSY 16 AWG | COPPER   | GOLD OVER Ni-PLATED |
| 4    | 3   | MC SOCKET SLEEVE ASSY 18 AWG | COPPER   | GOLD OVER Ni-PLATED |
| 3    | 1   | HOUSING A-SIZE 5P FEMALE     | ARNITEL  | BLACK               |
| 2    | -   | MOULDING MATERIAL            | ARNITEL  | BLACK               |
| 1    | -   | TRUNK CABLE 19X30 AWG OD=12  | PVC      | GRAY                |



| FUNCTIONAL SYMBOLS                                   | THIS DRAWING CONTAINS INFORMATION THAT IS PROPRIETARY TO MOLEX ELECTRONIC TECHNOLOGIES, LLC AND SHOULD NOT BE USED WITHOUT WRITTEN PERMISSION  | CURRENT REV DESC: PIN'S ADDED, NOTES UPDATED |                        |         |        |                 |                |          |          |                |                                       |  |                |                    |  |                    |          |   |          |   |          |        |         |       |          |       |  |
|--|--|--|------------------------|---------|--------|-----------------|----------------|----------|----------|----------------|---------------------------------------|--|----------------|--------------------|--|--------------------|----------|---|----------|---|----------|--------|---------|-------|----------|-------|--|
|  | <table border="1"> <tr> <th>FUNCTIONAL SYMBOLS</th> <th>DIMENSION UNITS</th> <th>SCALE</th> </tr> <tr> <td><math>\nabla_A = 0</math></td> <td>mm</td> <td>1:1</td> </tr> <tr> <td><math>\nabla_E = 0</math></td> <td colspan="2">GENERAL TOLERANCES (UNLESS SPECIFIED)</td> </tr> <tr> <td><math>\nabla_F = 0</math></td> <td colspan="2">ANGULAR TOL ± 1.0°</td> </tr> <tr> <td rowspan="5">DIVISIONAL SYMBOLS</td> <td>4 PLACES</td> <td>±</td> </tr> <tr> <td>3 PLACES</td> <td>±</td> </tr> <tr> <td>2 PLACES</td> <td>± 0.05</td> </tr> <tr> <td>1 PLACE</td> <td>± 0.3</td> </tr> <tr> <td>0 PLACES</td> <td>± 0.5</td> </tr> </table> | FUNCTIONAL SYMBOLS                           | DIMENSION UNITS        |         |        | SCALE           | $\nabla_A = 0$ | mm       | 1:1      | $\nabla_E = 0$ | GENERAL TOLERANCES (UNLESS SPECIFIED) |  | $\nabla_F = 0$ | ANGULAR TOL ± 1.0° |  | DIVISIONAL SYMBOLS | 4 PLACES | ± | 3 PLACES | ± | 2 PLACES | ± 0.05 | 1 PLACE | ± 0.3 | 0 PLACES | ± 0.5 | EC NO: 695738<br>DRWN: RSCHIEBER 2022/02/14<br>CHK'D: RSILLER 2022/02/15<br>APPR: RSILLER 2022/02/15 |
| FUNCTIONAL SYMBOLS                                   | DIMENSION UNITS  | SCALE  |                        |         |        |                 |                |          |          |                |                                       |  |                |                    |  |                    |          |   |          |   |          |        |         |       |          |       |  |
| $\nabla_A = 0$                                       | mm   | 1:1  |                        |         |        |                 |                |          |          |                |                                       |  |                |                    |  |                    |          |   |          |   |          |        |         |       |          |       |  |
| $\nabla_E = 0$                                       | GENERAL TOLERANCES (UNLESS SPECIFIED)  |  |                        |         |        |                 |                |          |          |                |                                       |  |                |                    |  |                    |          |   |          |   |          |        |         |       |          |       |  |
| $\nabla_F = 0$                                       | ANGULAR TOL ± 1.0°   |  |                        |         |        |                 |                |          |          |                |                                       |  |                |                    |  |                    |          |   |          |   |          |        |         |       |          |       |  |
| DIVISIONAL SYMBOLS                                   | 4 PLACES   | ±  |                        |         |        |                 |                |          |          |                |                                       |  |                |                    |  |                    |          |   |          |   |          |        |         |       |          |       |  |
|  | 3 PLACES   | ±  |                        |         |        |                 |                |          |          |                |                                       |  |                |                    |  |                    |          |   |          |   |          |        |         |       |          |       |  |
|  | 2 PLACES   | ± 0.05                                       |                        |         |        |                 |                |          |          |                |                                       |  |                |                    |  |                    |          |   |          |   |          |        |         |       |          |       |  |
|  | 1 PLACE  | ± 0.3  |                        |         |        |                 |                |          |          |                |                                       |  |                |                    |  |                    |          |   |          |   |          |        |         |       |          |       |  |
|  | 0 PLACES   | ± 0.5  |                        |         |        |                 |                |          |          |                |                                       |  |                |                    |  |                    |          |   |          |   |          |        |         |       |          |       |  |
| DRAFT WHERE APPLICABLE MUST REMAIN WITHIN DIMENSIONS |  |  | THIRD ANGLE PROJECTION | DRAWING | SERIES | MATERIAL NUMBER | CUSTOMER       | DOC TYPE | DOC PART | REVISION       |                                       |  |                |                    |  |                    |          |   |          |   |          |        |         |       |          |       |  |
|  |  |  |                        | A3-SIZE | 130025 | 1300250051      | GENERAL MARKET | PSD      | 000      | B1             |                                       |  |                |                    |  |                    |          |   |          |   |          |        |         |       |          |       |  |
|  |  |  |                        |         |        | SEE SHEET 2     |                |          |          | 1 OF 2         |                                       |  |                |                    |  |                    |          |   |          |   |          |        |         |       |          |       |  |

PART LIST

| MOLEX PN   | ENGINEERING NO. | LENGTH + TOL.[mm] |
|------------|-----------------|-------------------|
| 1300240329 | DN11A-M650      | 65000 +1300       |
| 1300250048 | DN11A-M003      | 300 +19           |
| 1300250051 | DN11A-M005      | 500 +45           |
| 1300250054 | DN11A-M010      | 1000 +56          |
| 1300250058 | DN11A-M015      | 1500 +56          |
| 1300250061 | DN11A-M020      | 2000 +89          |
| 1300250067 | DN11A-M030      | 3000 +89          |
| 1300250071 | DN11A-M040      | 4000 +165         |
| 1300250073 | DN11A-M050      | 5000 +165         |
| 1300250076 | DN11A-M060      | 6000 +165         |
| 1300250079 | DN11A-M070      | 7000 +165         |
| 1300250081 | DN11A-M080      | 8000 +317         |
| 1300250083 | DN11A-M090      | 9000 +317         |
| 1300250085 | DN11A-M100      | 10000 +317        |
| 1300250087 | DN11A-M120      | 12000 +317        |
| 1300250090 | DN11A-M130      | 13000 +317        |
| 1300250091 | DN11A-M140      | 14000 +317        |
| 1300250092 | DN11A-M150      | 15000 +610        |
| 1300250095 | DN11A-M180      | 18000 +610        |
| 1300250097 | DN11A-M200      | 20000 +610        |
| 1300250099 | DN11A-M210      | 21000 +610        |
| 1300250102 | DN11A-M240      | 24000 +610        |
| 1300250103 | DN11A-M250      | 25000 +610        |
| 1300250105 | DN11A-M270      | 27000 +610        |
| 1300250108 | DN11A-M300      | 30000 +610        |

| MOLEX PN   | ENGINEERING NO. | LENGTH + TOL.[mm] |
|------------|-----------------|-------------------|
| 1300250114 | DN11A-M350      | 35000 +700        |
| 1300250117 | DN11A-M400      | 40000 +800        |
| 1300250119 | DN11A-M450      | 45000 +900        |
| 1300250122 | DN11A-M500      | 50000 +1000       |
| 1300250124 | DN11A-M550      | 55000 +1100       |
| 1300250125 | DN11A-M600      | 60000 +1200       |
| 1300250127 | DN11A-M700      | 70000 +1400       |
| 1300250128 | DN11A-M750      | 75000 +1500       |
| 1300250133 | DN11A-T100      | 100000 +2000      |
| 1300250596 | DN11A-T200      | 200000 +4000      |
| 1300250649 | DN11A-M005H     | 500 +45           |
| 1300250652 | DN11A-M050H     | 5000 +165         |
| 1300250654 | DN11A-M060H     | 6000 +165         |
|            |                 |                   |
|            |                 |                   |
|            |                 |                   |
|            |                 |                   |
|            |                 |                   |
|            |                 |                   |
|            |                 |                   |
|            |                 |                   |
|            |                 |                   |
|            |                 |                   |
|            |                 |                   |
|            |                 |                   |
|            |                 |                   |
|            |                 |                   |
|            |                 |                   |
|            |                 |                   |
|            |                 |                   |
|            |                 |                   |
|            |                 |                   |
|            |                 |                   |
|            |                 |                   |

| FUNCTIONAL SYMBOLS  | THIS DRAWING CONTAINS INFORMATION THAT IS PROPRIETARY TO MOLEX ELECTRONIC TECHNOLOGIES, LLC AND SHOULD NOT BE USED WITHOUT WRITTEN PERMISSION   |                 |       |  |                        |                 |               |                                     |           |          |   |          |   |          |        |         |       |          |       |  |  |  |  |   |  |
|---|---|-----------------|-------|--|------------------------|-----------------|---------------|-------------------------------------|-----------|----------|---|----------|---|----------|--------|---------|-------|----------|-------|--|--|--|--|---|--|
| $\frac{F}{A} = 0$<br>$\frac{E}{E} = 0$<br>$\frac{F}{P} = 0$ | <table border="1"> <tr> <th>DIMENSION UNITS</th> <th>SCALE</th> </tr> <tr> <td>mm</td> <td>1:1</td> </tr> </table> <p>GENERAL TOLERANCES (UNLESS SPECIFIED)</p> <p>ANGULAR TOL ± 1.0°</p> <table border="1"> <tr> <th>PLACES</th> <th>TOLERANCE</th> </tr> <tr> <td>4 PLACES</td> <td>±</td> </tr> <tr> <td>3 PLACES</td> <td>±</td> </tr> <tr> <td>2 PLACES</td> <td>± 0.05</td> </tr> <tr> <td>1 PLACE</td> <td>± 0.3</td> </tr> <tr> <td>0 PLACES</td> <td>± 0.5</td> </tr> </table> | DIMENSION UNITS | SCALE | mm   | 1:1                    | PLACES          |               |                                     | TOLERANCE | 4 PLACES | ± | 3 PLACES | ± | 2 PLACES | ± 0.05 | 1 PLACE | ± 0.3 | 0 PLACES | ± 0.5 | <p>CURRENT REV DESC: P/N'S ADDED, NOTES UPDATED</p> <p>EC NO: 695738<br/>         DRWN: RSCHIEBER 2022/02/14<br/>         CHK'D: RSILLER 2022/02/15<br/>         APPR: RSILLER 2022/02/15</p> <p>INITIAL REVISION:<br/>         DRWN: MKOWALCZYK01 2018/09/07<br/>         APPR: MMATLA 2018/09/11</p> |  |  |  | <p>CSE MC 5P FE STR PVC MA STR 25M DE</p> <p>PRODUCT CUSTOMER DRAWING</p> |  |
| DIMENSION UNITS   | SCALE   |                 |       |  |                        |                 |               |                                     |           |          |   |          |   |          |        |         |       |          |       |  |  |  |  |   |  |
| mm  | 1:1   |                 |       |  |                        |                 |               |                                     |           |          |   |          |   |          |        |         |       |          |       |  |  |  |  |   |  |
| PLACES  | TOLERANCE   |                 |       |  |                        |                 |               |                                     |           |          |   |          |   |          |        |         |       |          |       |  |  |  |  |   |  |
| 4 PLACES  | ±   |                 |       |  |                        |                 |               |                                     |           |          |   |          |   |          |        |         |       |          |       |  |  |  |  |   |  |
| 3 PLACES  | ±   |                 |       |  |                        |                 |               |                                     |           |          |   |          |   |          |        |         |       |          |       |  |  |  |  |   |  |
| 2 PLACES  | ± 0.05  |                 |       |  |                        |                 |               |                                     |           |          |   |          |   |          |        |         |       |          |       |  |  |  |  |   |  |
| 1 PLACE   | ± 0.3   |                 |       |  |                        |                 |               |                                     |           |          |   |          |   |          |        |         |       |          |       |  |  |  |  |   |  |
| 0 PLACES  | ± 0.5   |                 |       |  |                        |                 |               |                                     |           |          |   |          |   |          |        |         |       |          |       |  |  |  |  |   |  |
| DIVISIONAL SYMBOLS  |   |                 |       |  | DOCUMENT NUMBER        | DOC TYPE        | DOC PART      | REVISION                            |           |          |   |          |   |          |        |         |       |          |       |  |  |  |  |   |  |
|   |   |                 |       |  | 1300250051             | PSD             | 000           | B1                                  |           |          |   |          |   |          |        |         |       |          |       |  |  |  |  |   |  |
|   |   |                 |       |  | MATERIAL NUMBER        | CUSTOMER        |               | SHEET NUMBER                        |           |          |   |          |   |          |        |         |       |          |       |  |  |  |  |   |  |
|   |   |                 |       | DRAFT WHERE APPLICABLE MUST REMAIN WITHIN DIMENSIONS | THIRD ANGLE PROJECTION | DRAWING A4-SIZE | SERIES 130025 | SEE PART LIST GENERAL MARKET 2 OF 2 |           |          |   |          |   |          |        |         |       |          |       |  |  |  |  |   |  |

|                 |    |              |                     |
|-----------------|----|--------------|---------------------|
| DOCUMENT STATUS | P1 | RELEASE DATE | 2022/02/15 09:19:21 |
|-----------------|----|--------------|---------------------|