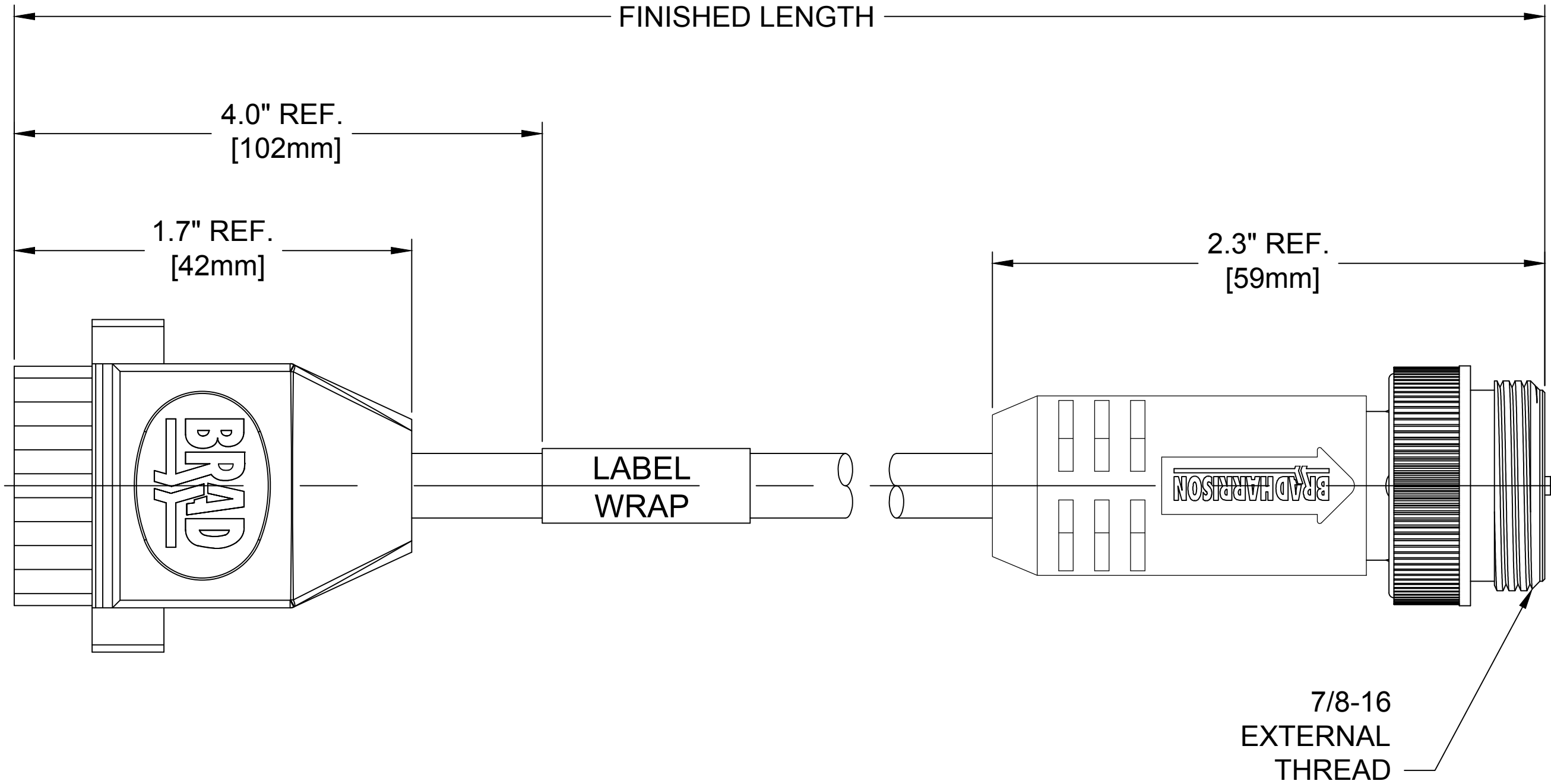
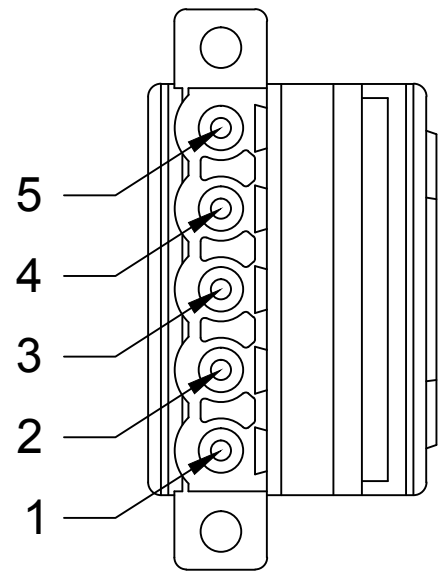
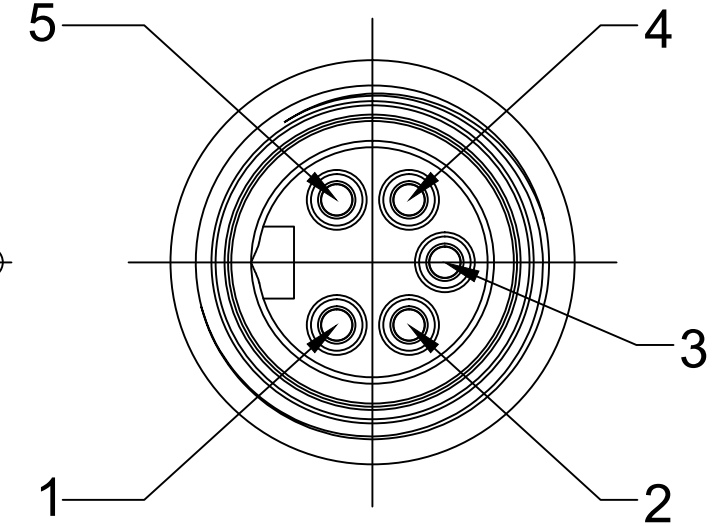


MATERIAL NUMBER	ENGINEERING NUMBER	FINISHED LENGTH
1300390546	DNDF41A-M010	1M +55.6mm -0 [3.3FT +2.2IN -0]

FEMALE FACE VIEW



MALE FACE VIEW



7/8-16
EXTERNAL
THREAD

SPECIFICATION DATA

ELECTRICAL DATA:
 MAX. VOLTAGE: 300 VAC
 MAX. CURRENT: 4 AMPS
 ENVIRONMENTAL:
 PROTECTION IP20
 TEMPERATURE RANGE: -20°C TO 80°C
 CERTIFICATIONS:
 cCSAus FILE: LR6837
 ASSEMBLY IS RoHS COMPLIANT.

LABEL	PLASTIC FILM	YELLOW
OVERMOLD	TPE	GRAY
COUPLING NUT	ZINC DIE-CAST	BLACK E-COAT
INSERT	PVC	GRAY
CONTACTS	COPPER ALLOY	GOLD PLATING
D-NET OPEN CONNECTOR	POLYAMIDE	GRAY
CABLE #22/2 & #24/2 + DRAIN	TPE JACKET	GRAY
DESCRIPTION	MATERIAL	FINISH

DNDF41A-M010

Cable type
DEVICENET
(FLEX DROP)

cable length
M010----1 Meter
M100----10 Meter

FEMALE

MALE

WIRING DIAGRAM

3	DRAIN	1
5	RED	2
1	BLACK	3
4	WHITE	4
2	BLUE	5

UPDATED OVERMOLD EC NO.: IFCG2016-1115 DRWN: GGUSTAFS 2016/02/15 CH'KD: BRUPERT 2016/03/15 APPR: BWOODMAN 2013/10/21	QUALITY SYMBOL	GENERAL TOLERANCES (UNLESS SPECIFIED)		DIMENSION STYLE IN/MM		SCALE NTS	DESIGN UNITS INCH	THIRD ANGLE PROJECTION	
	▽=0	4 PLACES	mm ±---	INCH ±---	DRAWN BY GGUSTAFS	DATE 2013/10/17	TITLE		
	∇=0	3 PLACES	±---	±.005	CHECKED BY BARDEN	DATE 2013/11/11	MINI CHANGE TO OPEN 5P MA ST TO FE OPEN DEVICENET FLEX DROP		
		2 PLACES	±0.13	±.010	APPROVED BY BWOODMAN	DATE 2013/10/21	MOLEX INCORPORATED		
		1 PLACE	±0.25	±.020	MATERIAL NO. SEE CHART		DOCUMENT NO. SD-130039-057	SHEET NO. 1 OF 1	
		ANGULAR ±.5°		DRAFT WHERE APPLICABLE MUST REMAIN WITHIN DIMENSIONS		THIS DRAWING CONTAINS INFORMATION THAT IS PROPRIETARY TO MOLEX INCORPORATED AND SHOULD NOT BE USED WITHOUT WRITTEN PERMISSION			