



5G/4G/3G/2G, NB-IoT, Cat-M, GNSS WORLD BAND ANTENNA

Part Numbers: 2195728-1

FEATURES & BENEFITS

- Omnidirectional coverage
- Tab mounting with plated through holes
- Wide Band coverage for 3G, 4G and 5G with GNSS coverage
- Bandwidth and performance is dependent on ground plane size
Suggested minimum ground plane length from the antenna feed is 100 mm.

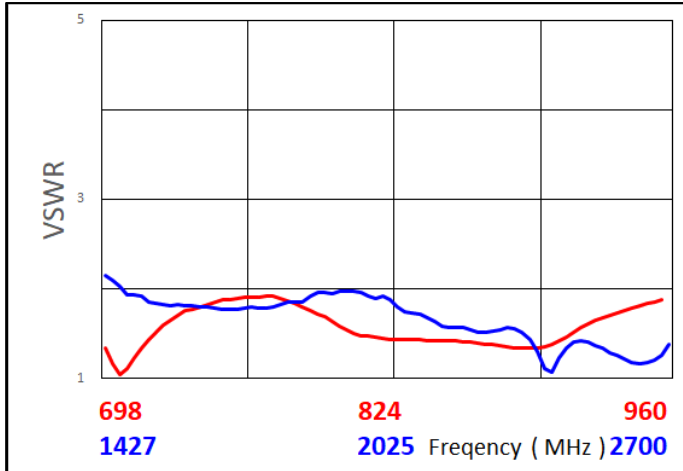
SPECIFICATIONS

Frequency Range (MHz)	698-960	1427-1661	1710-2700
VSWR	< 2 : 1	< 2 : 1	< 2 : 1
Average Efficiency	60%	66%	68%
Peak Gain	1.67dBi	2.13dBi	2.32dBi
Average Gain	-2.2dBi	-1.7dBi	-1.6dBi
Power Handling	10 Watt cw		
Feed Point Impedance	50 ohms unbalanced		
Polarization	Linear		
Size	55 x 20 mm		
Weight	< 11g		
Mounting	Tab mounting with plated through holes		
Operating Temperature	-40 to +85°C		
Storage Temperature	-40 to +85°C		
Packaging Specification	Bag & Box		
Hazardous Materials	A certificate of conformance is available from the product page on TE website		

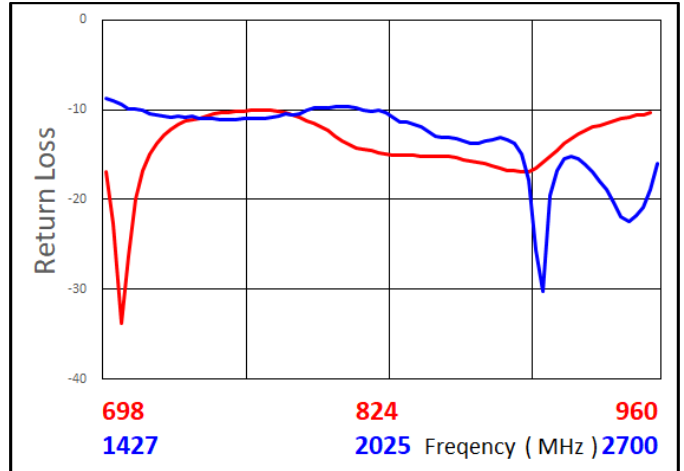
Data measured in free space and on reference ground plane of 110mm length and 65mm width. Application data may vary

RF DATA

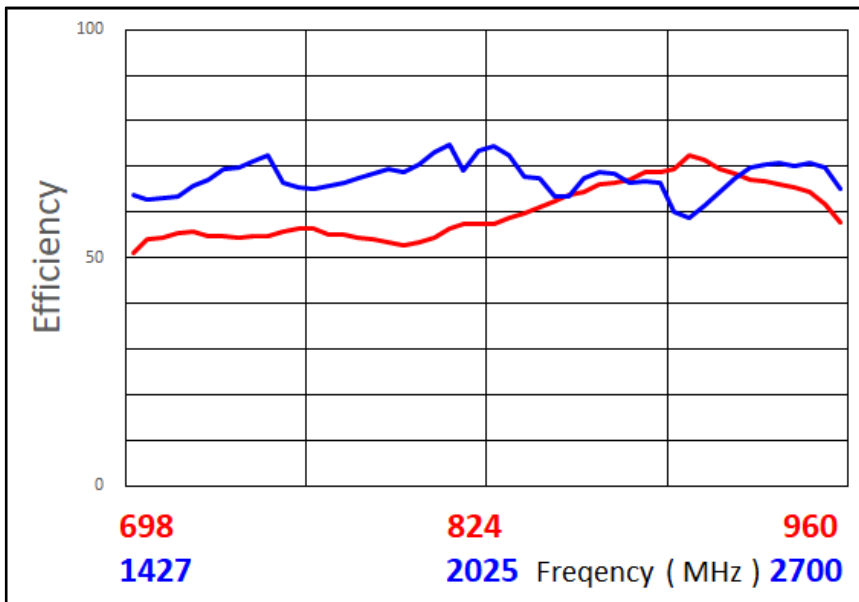
VSWR



Return Loss



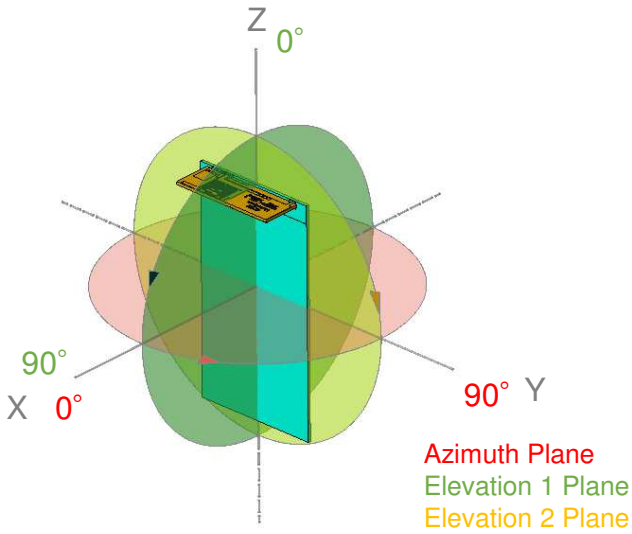
Efficiency



Data measured in free space and on reference ground plane of 110mm length and 65mm width.
Application data may vary

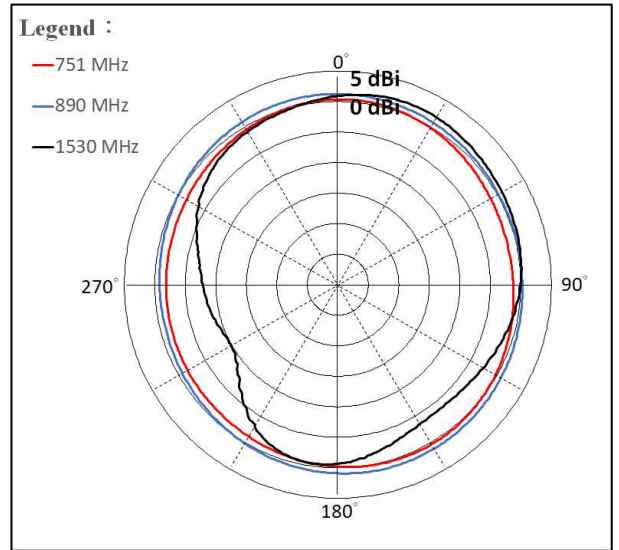
RADIATION PATTERN

Test setup

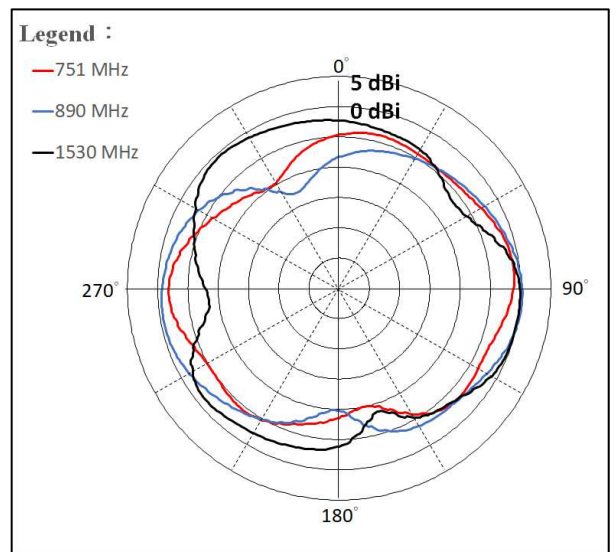
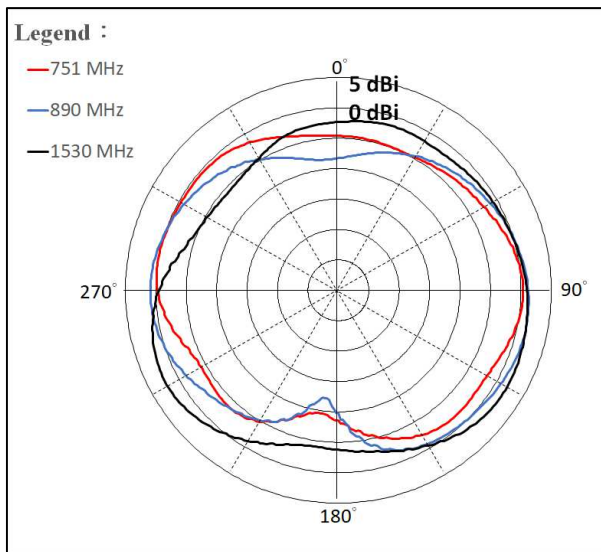


Elevation 1

Azimuth



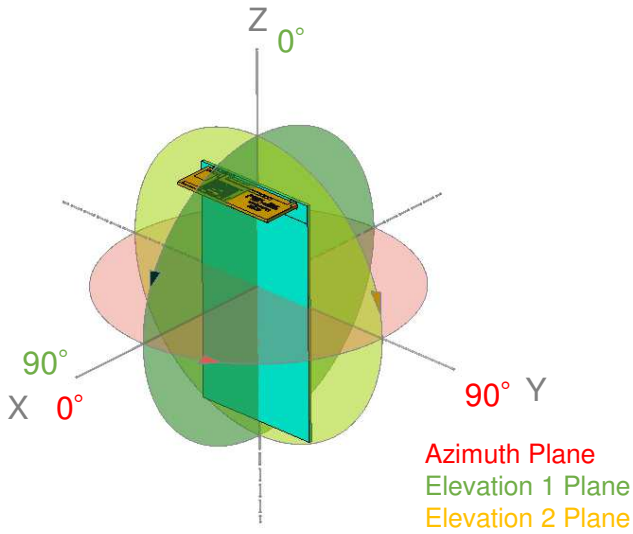
Elevation 2



Data measured in free space and on reference ground plane of 110mm length and 65mm width.
Application data may vary

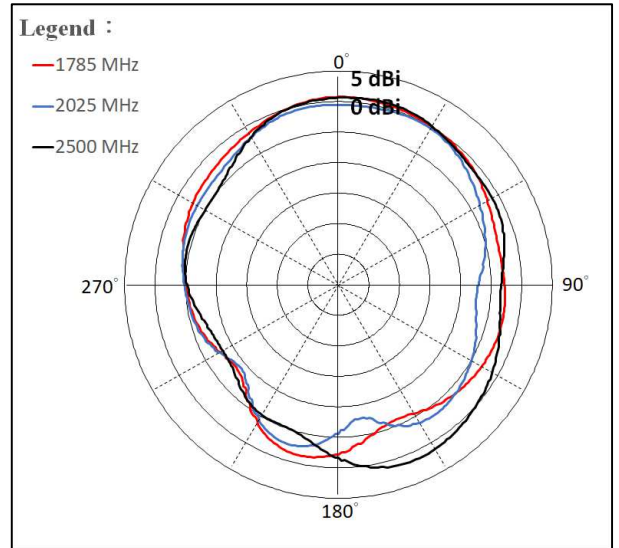
RADIATION PATTERN

Test setup

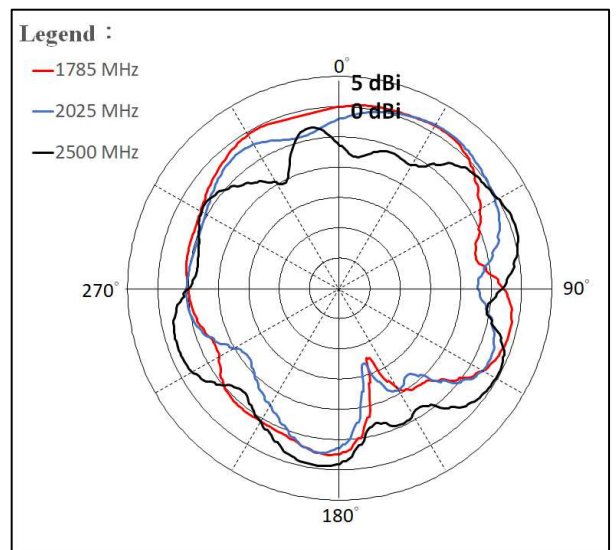
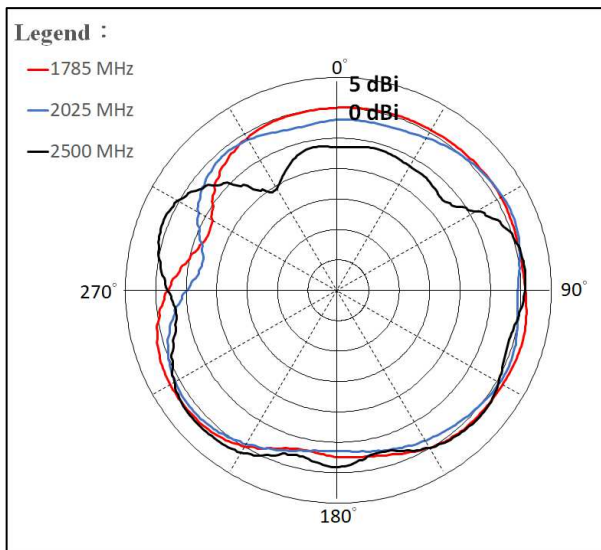


Elevation 1

Azimuth

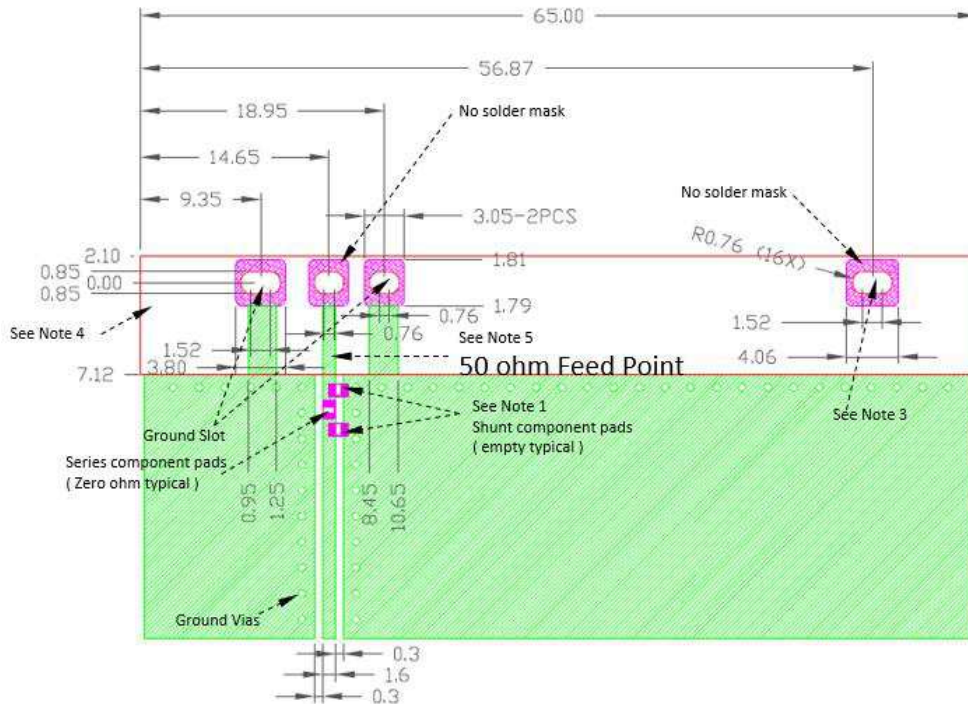


Elevation 2



Data measured in free space and on reference ground plane of 110mm length and 65mm width.
 Application data may vary

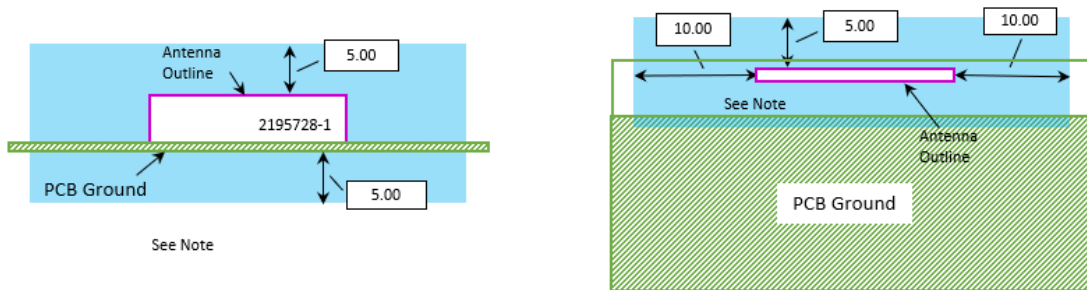
MOUNTING GUIDE



- NOTES :
1. Suggested matching component pads.
 2. Antenna must be mounted on the edge of PCB.
 3. No connection (mechanical mounting pads).
 4. No copper allowed in designated area on all PCB layers -
 5. Thickness is 1.6mm & dielectric is 4.3 for PCB
 6. Reference PCB dimension (mm) : 110 x 65
 7. For more information please call TE.

Dimensions : mm
Diagram is not to scale

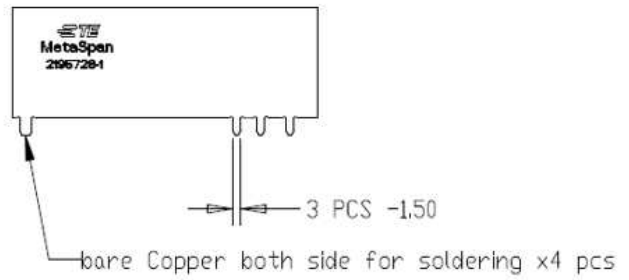
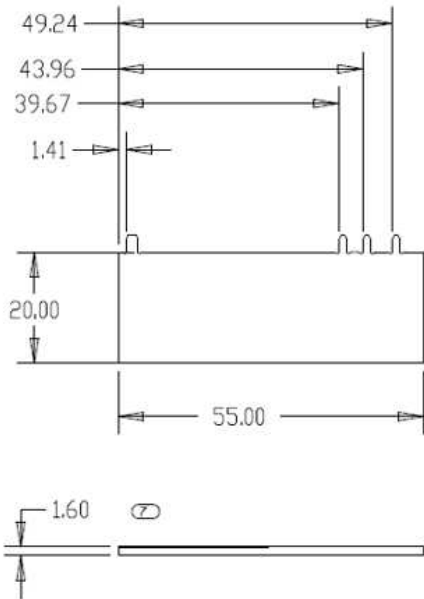
KEEP OUT AREA



- NOTES :
1. Antenna designed to be mounted on plastic cover.
 2. Area in blue above indicates Keep Out Area. This is base on 65x65mm size metal parts.
 3. For more information please call TE.

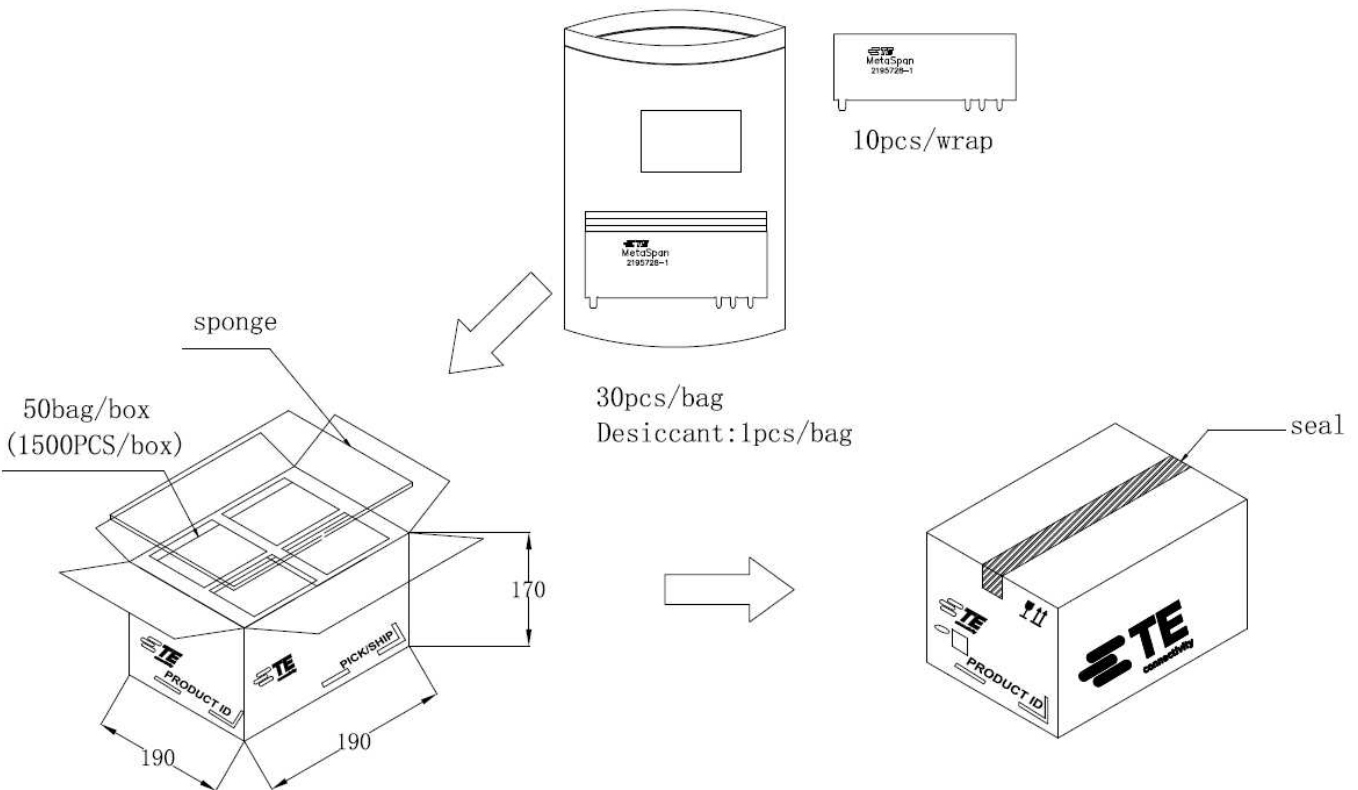
Dimensions : mm
Diagram is not to scale

DIMENSIONS



Dimensions : mm
Diagram is not to scale

PACKAGING



5G/4G/3G/2G, NB-IoT, Cat-M, GNSS WORLD BAND ANTENNA

Standard Antenna Solutions

TE TECHNICAL SUPPORT CENTER

USA:	+1 (800) 522-6752
Canada:	+1 (905) 475-6222
Mexico:	+52 (0) 55-1106-0800
Latin/S. America:	+54 (0) 11-4733-2200
Germany:	+49 (0) 6251-133-1999
UK:	+44 (0) 800-267666
France:	+33 (0) 1-3420-8686
Netherlands:	+31 (0) 73-6246-999
China:	+86 (0) 400-820-6015

For phone numbers in other countries, go to te.com/support-center

te.com

TE Connectivity, TE Connectivity (logo) and Every Connection Counts are trademarks. All other logos, products and/or company names referred to herein might be trademarks of their respective owners.

The information given herein, including drawings, illustrations and schematics which are intended for illustration purposes only, is believed to be reliable. However, TE Connectivity makes no warranties as to its accuracy or completeness and disclaims any liability in connection with its use. TE Connectivity's obligations shall only be as set forth in TE Connectivity's Standard Terms and Conditions of Sale for this product and in no case will TE Connectivity be liable for any incidental, indirect or consequential damages arising out of the sale, resale, use or misuse of the product. Users of TE Connectivity products should make their own evaluation to determine the suitability of each such product for the specific application.

© 2020 TE Connectivity Ltd. family of companies All Rights Reserved.

06/20