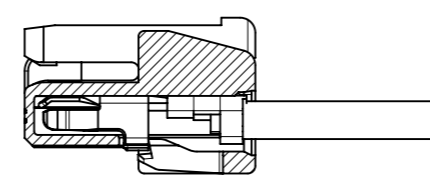
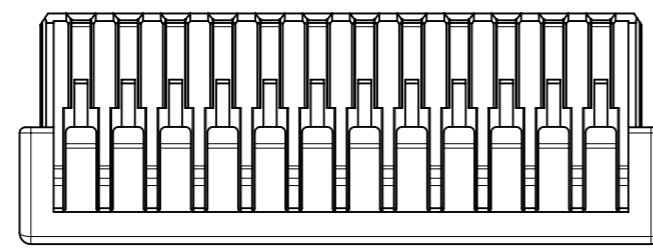


奇数キャビティ : キャビティ番号及び金型番号
 偶数キャビティ : トレードマーク
 ODD CAV:CAVITY & MOLD NO.
 EVEN CAV:TRADE MARK

奇数キャビティ : トレードマーク
 偶数キャビティ : キャビティ番号及び金型番号
 ODD CAV:TRADE MARK
 EVEN CAV:CAVITY & MOLD NO.



ターミナル装着図
 TERMINAL ASSEMBLY DRAWING

注記 NOTE

- △1 材料 : TABLE 1参照
 MATERIAL : SEE TABLE 1.
- △2 偶数極に適用。
 APPLY FOR EVEN CKT.
- △3 製品仕様書、アプリケーション仕様書、適用嵌合相手、適用ターミナルはSHEET3をご参照ください。
 PLEASE REFER TO SHEET 3 FOR PRODUCT SPECIFICATION, APPLICATION SPECIFICATION.
- △4 製品番号 MATERIAL NO.

505565**0*

極数
 CIRCUIT SIZE

番号 NO.	ハウジングカラー HOUSING COLOR
0	ナチュラル (ベージュ) NATURAL (BEIGE)
1	黒 BLACK
2	赤 RED
3	黄 YELLOW
4	青 BLUE
6	緑 GREEN
8	橙 ORANGE

18.75	22	16
17.50	20.75	15
16.25	19.5	14
15	18.25	13
13.75	17	12
12.5	15.75	11
11.25	14.5	10
10	13.25	9
8.75	12	8
7.5	10.75	7
6.25	9.5	6
5	8.25	5
3.75	7	4
2.5	5.75	3
1.25	4.5	2
B	A	極数 CIRCUIT SIZE

△1 TABLE 1

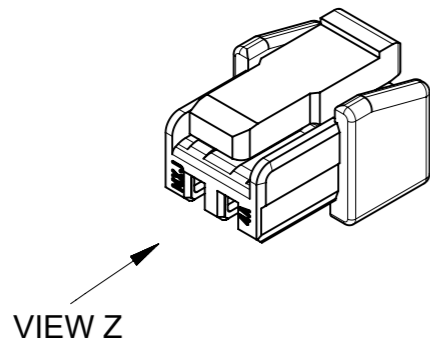
部品 PART	材質 MATERIAL
ハウジング HOUSING	PBT, UL94 V-0, 色 : シート3参照 PBT, UL94 V-0, COLOR : SEE SHEET 3.

DOCUMENT STATUS | P1 | RELEASE DATE | 2019/08/20 | 06:36:20

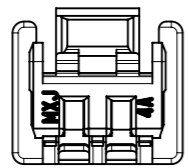
THIS DRAWING CONTAINS INFORMATION THAT IS PROPRIETARY TO MOLEX ELECTRONIC TECHNOLOGIES, LLC AND SHOULD NOT BE USED WITHOUT WRITTEN PERMISSION

DIMENSION UNITS mm	SCALE NTS	CURRENT REV DESC: REVISED		molex		
GENERAL TOLERANCES (UNLESS SPECIFIED)		EC NO: 621849				
ANGULAR TOL ± 3.0°	4 PLACES ± 0.2	DRWN: TAKAIKE	2019/08/01	PRODUCT CUSTOMER DRAWING		
3 PLACES ± 0.2	2 PLACES ± 0.2	CHK'D: SAKIYAMA	2019/08/20	DOCUMENT NUMBER		
1 PLACE ± 0.2	0 PLACES ± 0.2	APPR: AIDA	2019/08/20	5055650002-SD		
DRAFT WHERE APPLICABLE MUST REMAIN WITHIN DIMENSIONS		INITIAL REVISION:		DOC TYPE	DOC PART	REVISION
THIRD ANGLE PROJECTION		DRWN: RWATANABE01	2017/09/14	PSD	000	D
DRAWING		APPR: TKANEKO	2017/09/26	SHEET NUMBER		
A3-SIZE		SERIES	505565	1 OF 3		
MATERIAL NUMBER		CUSTOMER		SEE SHEET3		
GENERAL						

製品形状
PRODUCT SHAPE

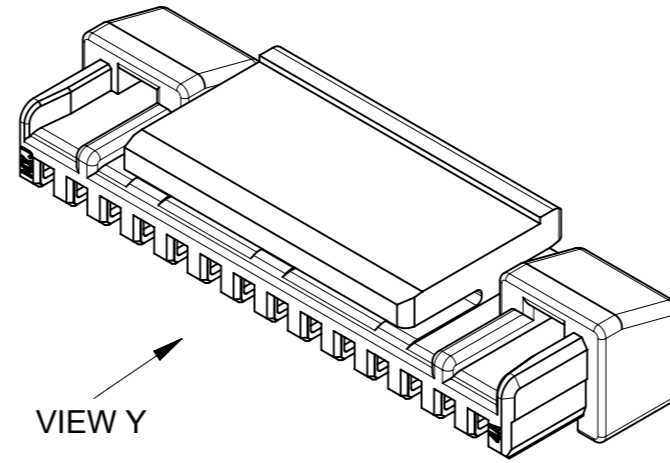


VIEW Z

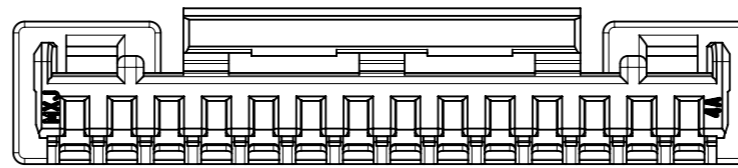


VIEW Z

2-13極
2-13 CIRCUIT



VIEW Y



VIEW Y

14-16極
14-16 CIRCUIT

THIS DRAWING CONTAINS INFORMATION THAT IS PROPRIETARY TO MOLEX ELECTRONIC TECHNOLOGIES, LLC AND SHOULD NOT BE USED WITHOUT WRITTEN PERMISSION									
DIMENSION UNITS	SCALE	CURRENT REV DESC: REVISED					molex		
mm	NTS								
GENERAL TOLERANCES (UNLESS SPECIFIED)							MICRO-LOCK PLUS 1.25 W/B SINGLE ROW RECEPTACLE HOUSING		
ANGULAR TOL	± 3.0 °	EC NO: 621849					PRODUCT CUSTOMER DRAWING		
4 PLACES	± 0.2	DRWN: TAKAIKE 2019/08/01					DOCUMENT NUMBER		
3 PLACES	± 0.2	CHK'D: SAKIYAMA 2019/08/20					5055650002-SD		
2 PLACES	± 0.2	APPR: AIDA 2019/08/20					DOC TYPE		
1 PLACE	± 0.2	INITIAL REVISION:					PSD		
0 PLACES	± 0.2	DRWN: RWATANABE01 2017/09/14					DOC PART		
DRAFT WHERE APPLICABLE MUST REMAIN WITHIN DIMENSIONS		THIRD ANGLE PROJECTION		DRAWING	SERIES	MATERIAL NUMBER	CUSTOMER	REVISION	
				A3-SIZE	505565	SEE SHEET3	GENERAL	000	D
								2 OF 3	

DOCUMENT STATUS	P1	RELEASE DATE	2019/08/20	06:36:20
-----------------	----	--------------	------------	----------

△ 3 適用製品及び各種仕様書 APPLICABLE PRODUCTS AND VARIOUS SPECIFICATIONS

梱包仕様書 PACKAGING SPECIFICATION	製品番号 PART NUMBER	仕様書番号 SPECIFICATION NUMBER
	505565**0*	5055659200 PS 200

適用端子 APPLICABLE TERMINAL	製品番号 PART NUMBER	めっきタイプ PLATING TYPE	電線サイズ WIRE SIZE(AWG)
	5054311000	TIN	
	5054311100	GOLD	

適用嵌合相手 MATE WITH	TIN PLATING		GOLD PLATING	
	VERTICAL	RIGHT ANGLE	VERTICAL	RIGHT ANGLE
シリーズ番号 SERIES NO.	505568 **7*	505567**7*	505568**8*	505567**8*
製品仕様書 PRODUCT SPECIFICATION	5055650000 PS 000		5055650002 PS 000	
アプリケーション仕様書 APPLICATION SPECIFICATION	AS-505565-001 (JAPANESE/ENGLISH)			

△ 4 505565**0* 製品番号一覧 PRODUCT NUMBER LIST

橙 ORANGE	緑 GREEN	青 BLUE	黄 YELLOW	赤 RED	黒 BLACK	ナチュラル (ベージュ) NATURAL (BEIGE)	HOUSING COLOR
5055651608	5055651606	5055651604	5055651603	5055651602	5055651601	5055651600	16
5055651508	5055651506	5055651504	5055651503	5055651502	5055651501	5055651500	15
5055651408	5055651406	5055651404	5055651403	5055651402	5055651401	5055651400	14
5055651308	5055651306	5055651304	5055651303	5055651302	5055651301	5055651300	13
5055651208	5055651206	5055651204	5055651203	5055651202	5055651201	5055651200	12
5055651108	5055651106	5055651104	5055651103	5055651102	5055651101	5055651100	11
5055651008	5055651006	5055651004	5055651003	5055651002	5055651001	5055651000	10
5055650908	5055650906	5055650904	5055650903	5055650902	5055650901	5055650900	9
5055650808	5055650806	5055650804	5055650803	5055650802	5055650801	5055650800	8
5055650708	5055650706	5055650704	5055650703	5055650702	5055650701	5055650700	7
5055650608	5055650606	5055650604	5055650603	5055650602	5055650601	5055650600	6
5055650508	5055650506	5055650504	5055650503	5055650502	5055650501	5055650500	5
5055650408	5055650406	5055650404	5055650403	5055650402	5055650401	5055650400	4
5055650308	5055650306	5055650304	5055650303	5055650302	5055650301	5055650300	3
5055650208	5055650206	5055650204	5055650203	5055650202	5055650201	5055650200	2
発注番号 ORDER NO.							極数 CIRCUIT SIZE
梱包形態 : ポリ袋 PACKAGING : POLYBAG PACKAGE							

THIS DRAWING CONTAINS INFORMATION THAT IS PROPRIETARY TO MOLEX ELECTRONIC TECHNOLOGIES, LLC AND SHOULD NOT BE USED WITHOUT WRITTEN PERMISSION									
DIMENSION UNITS	SCALE	CURRENT REV DESC: REVISED			molex				
mm	NTS								
GENERAL TOLERANCES (UNLESS SPECIFIED)		EC NO: 621849			MICRO-LOCK PLUS 1.25 W/B SINGLE ROW RECEPTACLE HOUSING				
ANGULAR TOL	± 3.0°	DRWN: TAKAIKE 2019/08/01							
4 PLACES	± 0.2	CHK'D: SAKIYAMA 2019/08/20			PRODUCT CUSTOMER DRAWING				
3 PLACES	± 0.2	APPR: AIDA 2019/08/20							
2 PLACES	± 0.2	INITIAL REVISION:			DOCUMENT NUMBER				
1 PLACE	± 0.2	DRWN: RWATANABE01 2017/09/14							
0 PLACES	± 0.2	APPR: TKANEKO 2017/09/26			5055650002-SD				
DRAFT WHERE APPLICABLE MUST REMAIN WITHIN DIMENSIONS		THIRD ANGLE PROJECTION	DRAWING	SERIES					
			A3-SIZE	505565	SEE SHEET3	GENERAL	PSD	000	D
									SHEET NUMBER
									3 OF 3