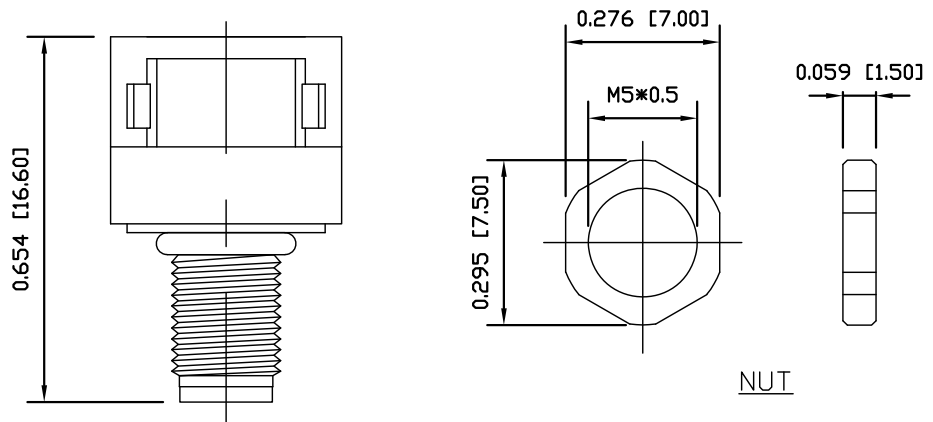
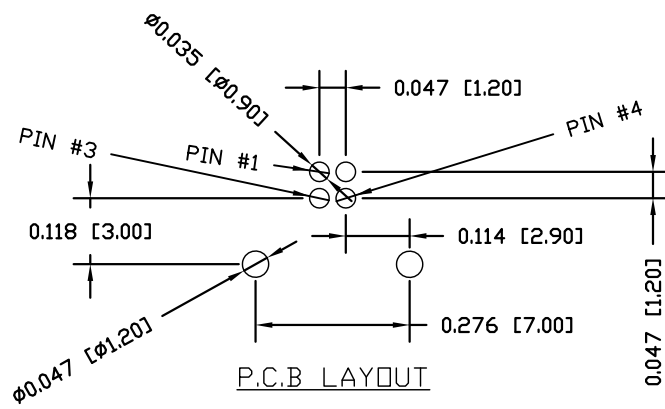
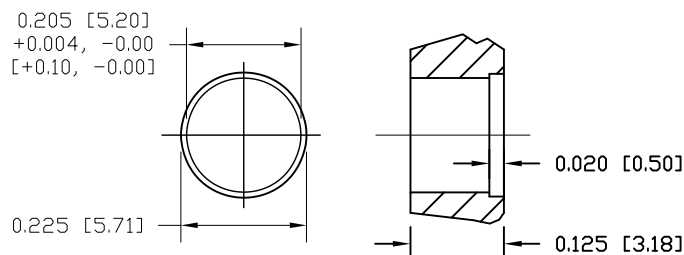


DESCRIPTION: M5 MALE - RIGHT ANGLE - PANEL MOUNT - 3 POSITION

UNITS = INCHES [MM]



NUT



P.C.B LAYOUT

NOTE:

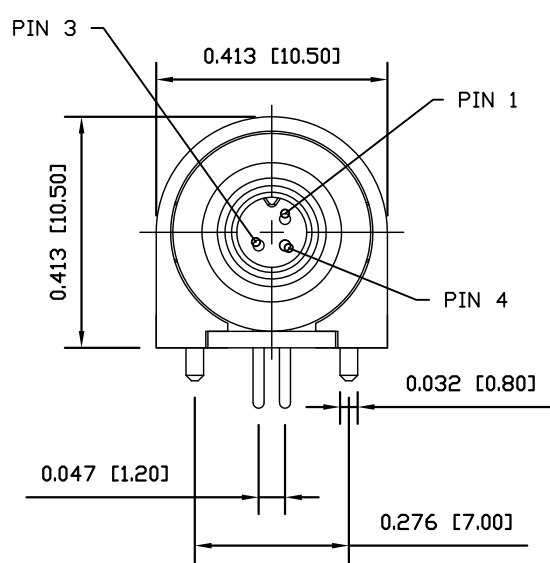
MATERIAL	
HOUSING:	PBT UL94V-0, BLACK
CONTACT:	BRASS
NUT:	BRASS
O-RING:	NBR, BLACK
BACK HOUSING	PBT UL94V-0, BLACK
DOWN HOUSING	PBT UL94V-0, BLACK

FINISH	
CONTACT:	GOLD PLATED OVER 50µ" NICKEL
NUT:	NICKEL PLATED

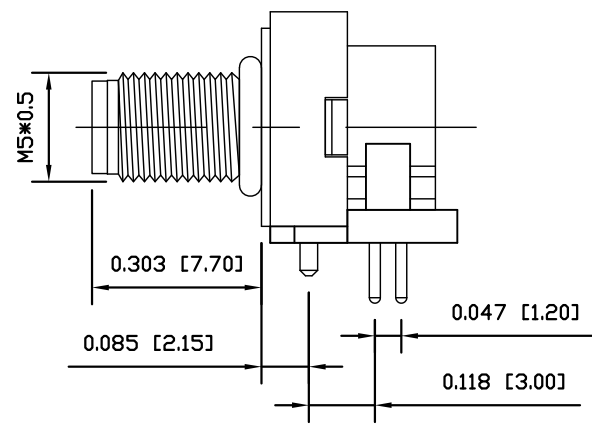
ELECTRICAL	
RATED CURRENT:	1A
RATED VOLTAGE:	60V
INSULATION RESISTANCE:	100 MΩhms MIN.
CONTACT RESISTANCE:	10 mΩhms MAX.
WATER PROOF:	IP67
ENVIRONMENT	
OPERATION TEMPERATURE:	-40°C TO +85°C
MAX. ASSEMBLY TORQUE:	1.5 in lbs

853-003-113R00Y

1 = GOLD FLASH
4 = 10µ" GOLD



PANEL CUT-OUT
MAX. PANEL THICKNESS : 0.063"



RoHS COMPLIANT

DO NOT SCALE FROM DRAWING



THESE DRAWINGS AND SPECIFICATIONS ARE THE PROPERTY OF NorComp AND SHALL NOT BE REPRODUCED, COPIED OR USED AS THE BASIS FOR THE MANUFACTURE OR SALE OF APPARATUS WITHOUT WRITTEN PERMISSION.

DRAWN:

M. SIGMON

DATE:

03-04-16

NorComp

SCALE:
NTS

SHEET OF
1 1

REV
4

DWG NO.

853-003-113R00Y