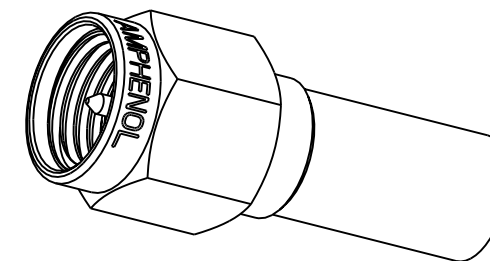


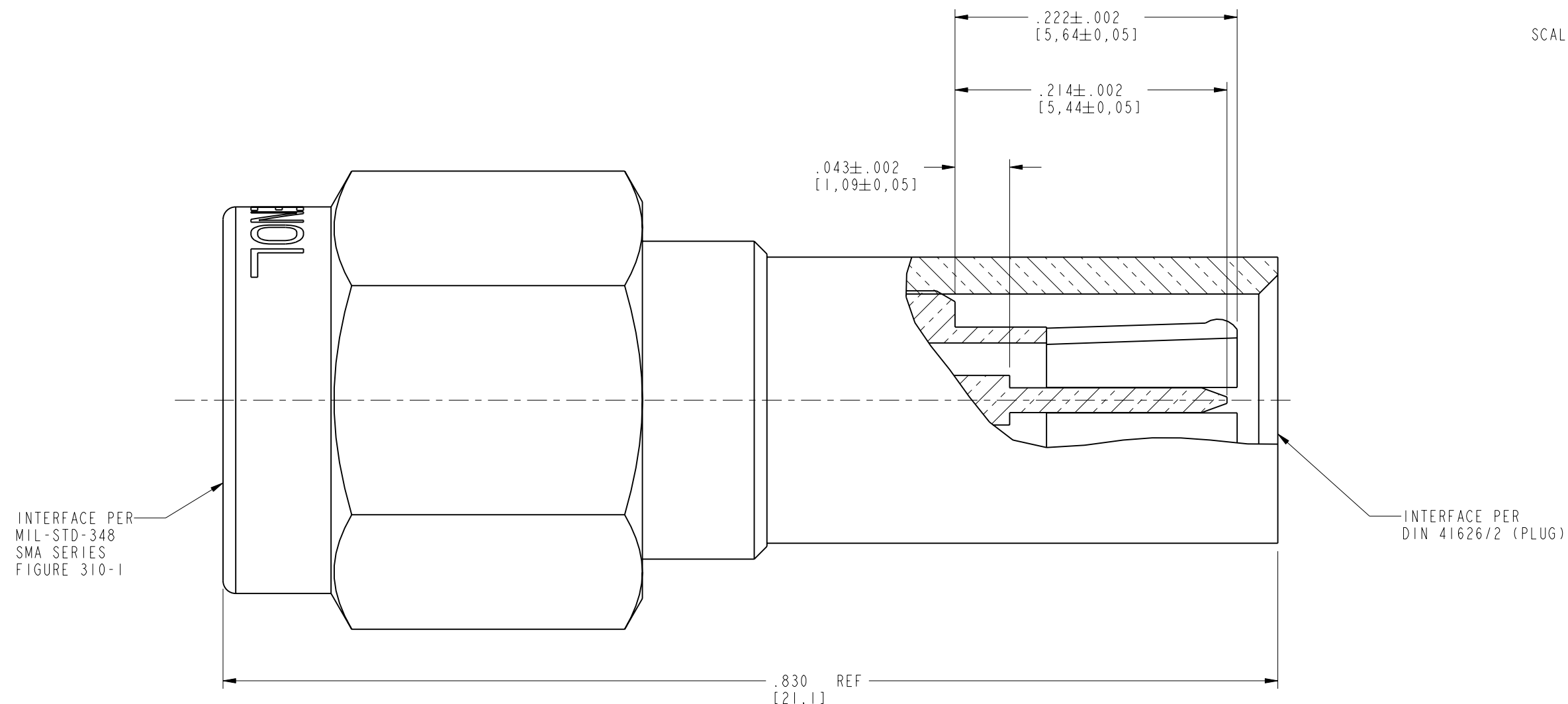
NOTES:

1. MATERIAL AND FINISH:
 BODY - BeCu, GOLD PLATED
 CONTACT - BRASS, GOLD PLATED
 COUPLING NUT - STAINLESS STEEL, PASSIVATED
 INSULATOR - PTFE
2. ELECTRICAL
 A. VSWR(RETURN LOSS), MAXIMUM
 DC - 4GHz: 1.15 (-30 dB)

901-10007		REVISIONS			
DRAWING NO.	REV	DESCRIPTION	DATE	ECO	APPR
THIRD ANGLE PROJ.	A	OFFICIAL ENG. RELEASE TO MFG.	2/11/99	42830	PB/



SCALE 3.000



CUSTOMER OUTLINE DRAWING
 ALL OTHER SHEETS ARE FOR INTERNAL USE ONLY

UNLESS OTHERWISE SPECIFIED, DIMENSIONS ARE IN INCHES AND TOLERANCES ARE: 2 PLACE DECIMAL ±.015 (0,381 mm) 3 PLACE DECIMAL ±.005 (0,127 mm) ANGLES ± 1°	MATERIAL	DRAWN J. WILKINSON	DATE 10 FEB 99	TITLE SMA PLUG TO 1.0/2.3 PLUG ADAPTER		Amphenol Amphenol Corporation Communication and Network Products Division Danbury, CT U.S.A. 06810	
	REFERENCE GEN# ASSY_SMAM_1023M EAR 102-967033 1 615X-1503-300	ENGINEER J. WILKINSON	DATE 10 FEB 99				
NOTICE - These drawings, specifications, or other data (1) are, and remain the property of Amphenol Corp. (2) must be returned upon request; and (3) are confidential and not to be disclosed to any person other than those to whom they are given by Amphenol Corp. The furnishing of these drawings, specifications, or other data by Amphenol Corp., or to any other person to anyone for any purpose is not to be regarded by implication or otherwise in any manner licensing, granting rights or permitting such holder or any other person to manufacture, use or sell any product, process or design, patented or otherwise, that may in any way be related to or disclosed by said drawings, specifications, or other data.	CAD FILE I:\SMA\901-10007	CODE ID 74868	DWG SIZE B	DRAWING NO. 901-10007	REV A	SCALE: 10.0:1	SHEET 1 OF 1