

THE INFORMATION CONTAINED HEREIN IS CONSIDERED "PROPRIETARY" TO BEL FUSE INC. AND SHALL NOT BE COPIED, REPRODUCED OR DISCLOSED WITHOUT THE WRITTEN APPROVAL OF BEL FUSE INC.

LED1 POLARITY			LED2 POLARITY		
PIN 13	PIN 14	COLOR	PIN 15	PIN 16	COLOR
-	+	YELLOW	-	+	GREEN

PRELIMINARY



ELECTRICAL CHARACTERISTICS @ 25°C

URNS RATIO

TX 1CT : 1
 RX 1CT : 1
 OCL @ 100kHz/100mVRMS (0-70°C)
 8mA DC BIAS 350µH MIN.

INS. LOSS

0.1MHz TO 1MHz -1.1 dB MAX
 1MHz TO 65MHz -0.5 dB MAX
 65MHz TO 100MHz -0.8 dB MAX
 100MHz TO 125MHz -1.2 dB MAX

RET. LOSS (MIN) @ 100 OHMS +/- 15%

0.5MHz-40MHz -18 dB
 40MHz-100MHz -12+20LOG(f/80MHz) dB

CM TO CM REJ

100kHz - 100MHz -30 dB MIN

CM TO DM REJ

100kHz - 100MHz -35 dB MIN

HIPOT (Isolation Voltage): 1500 Vrms or 2250 VDC

100% OF PRODUCT TESTED IN PRODUCTION

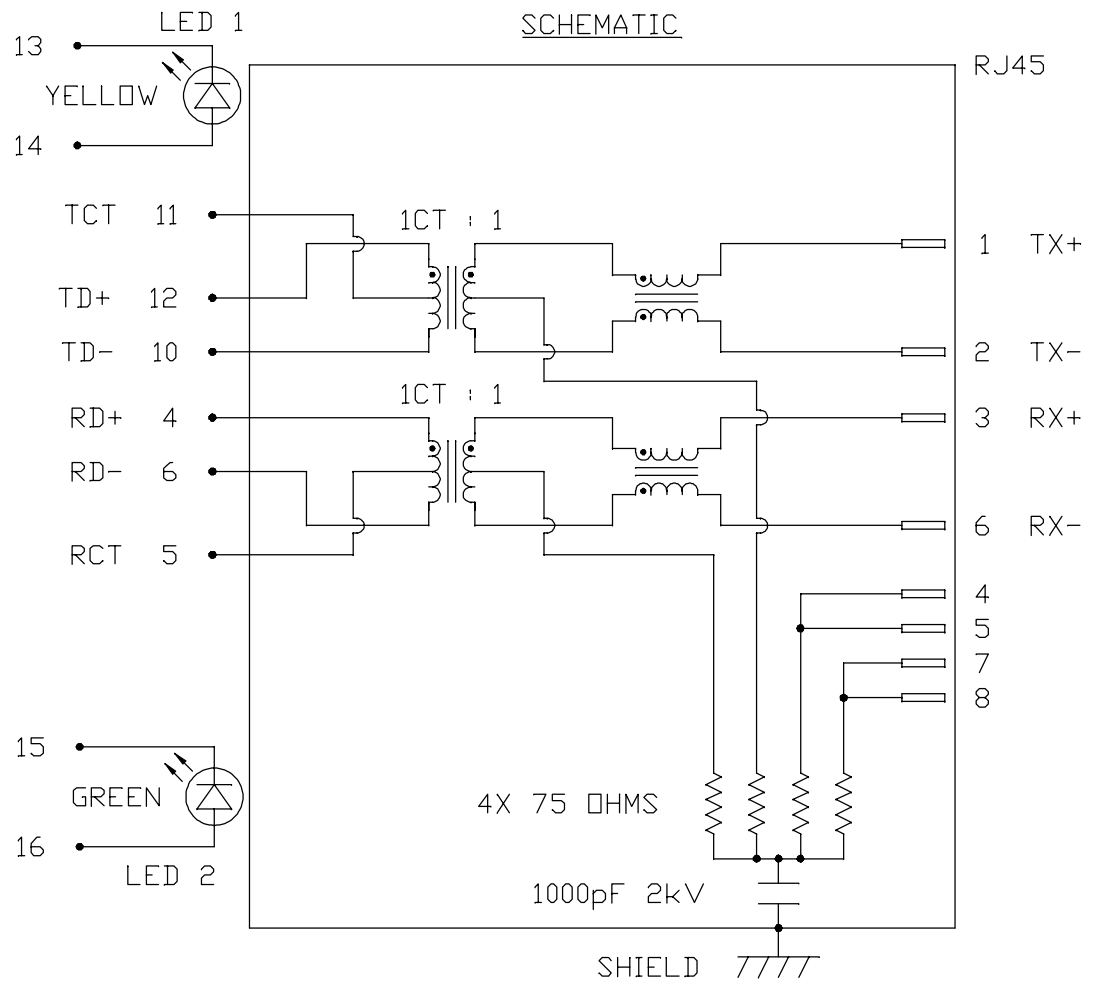
LED 1

VF (FORWARD VOLTAGE) IF=20mA YELLOW 2.1V TYP.
 λD (DOMINANT WAVELENGTH) IF=20mA YELLOW 590nm TYP.

LED 2

VF (FORWARD VOLTAGE) IF=20mA GREEN 2.2V TYP.
 λD (DOMINANT WAVELENGTH) IF=20mA GREEN 570nm TYP.

OPERATING TEMPERATURE: -40 TO +100°C



ORIGINATED BY CHOW WANCHUNG	TITLE 10/100 MagJack® (Ultra Low Profile) Automotive temperature
DATE 2018-10-09	
DRAWN BY XIE YIMING	PART NO. / DRAWING NO. A836-1A1T91B
DATE 2018-10-09	

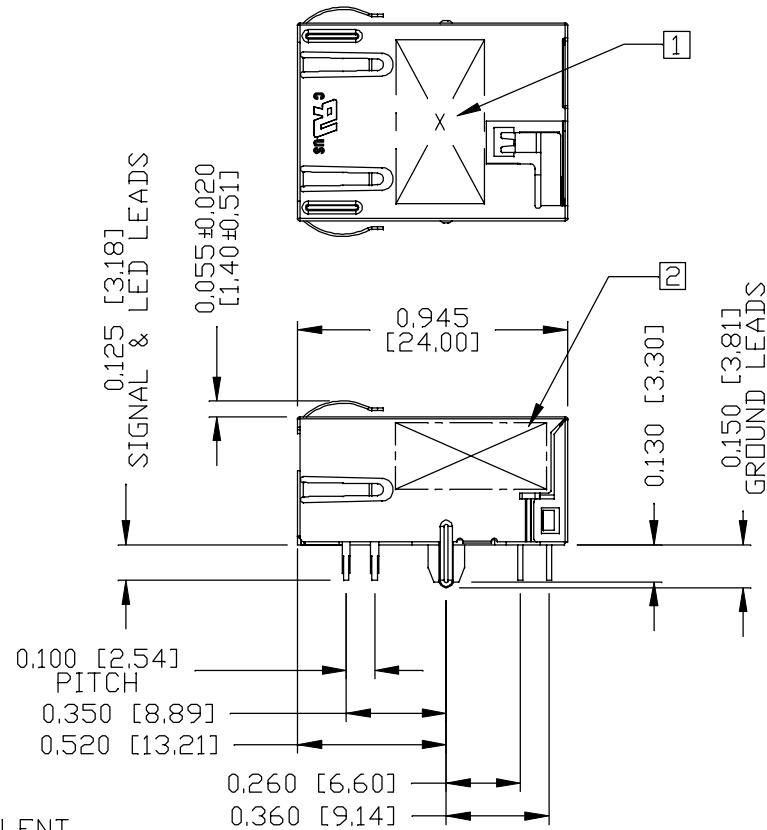
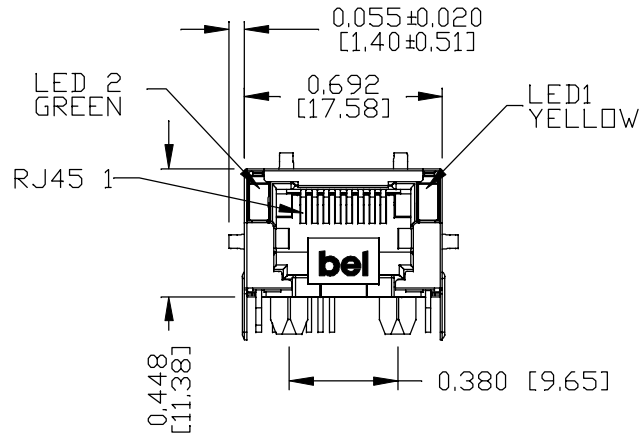
FILE NAME A836-1A1T91B_PA.DWG	STANDARD DIM. TOL. IN INCH	[] METRIC DIM. AS REF.
	.X	UNIT : INCH [mm]
	.XX	SCALE : N/A
	.XXX	SIZE : A4

REV. : PA	PAGE : 2
-----------	----------



THE INFORMATION CONTAINED HEREIN IS CONSIDERED "PROPRIETARY" TO BEL FUSE INC. AND SHALL NOT BE COPIED, REPRODUCED OR DISCLOSED WITHOUT THE WRITTEN APPROVAL OF BEL FUSE INC.

PRELIMINARY



NOTES:

- PLASTIC HOUSING: THERMOPLASTIC PA, BLACK
FLAMMABILITY RATING UL 94V-0
- CONTACTS: 50 MICRO-INCH HARD GOLD PLATING OR EQUIVALENT.
- OUTPUT PINS: TIN-COATED COPPER WIRE, DIA 0.018 INCH,
100 MICRO-INCH MIN MATTE TIN, PINS ARE SOLDER DIPPED.
- METAL SHIELD: NICKEL PLATED ON COPPER ALLOY.
(ALL GROUND LEADS ARE SOLDER DIPPED)

- [1] MARK PART WITH PART NUMBER, DATE CODE AND PATENTED.
- [2] MARK PART WITH MFG. LOGO, MFG. NAME.
- 2. THE PRODUCT IS RoHS COMPLIANT WITH NO EXEMPTION AND HALOGEN FREE.
- 4. JACK CAVITY CONFORMS TO FCC RULES AND REGULATIONS, PART 68 SUBPART F.

- 4. THE PRODUCT IS PATENTED. THE PATENT NUMBER IS U.S PAT. 6,840,817.
- 5. THE PART IS RECOMMENDED FOR WAVE SOLDERING. THE SUGGESTED PEAK WAVE SOLDERING CONDITION IS 260°C MAX AND 10 SECONDS MAX.
- 6. THE AXIAL RETENTION FORCE OF RJ PORT IS 15LBS MIN.
- 7. THE PRODUCT IS DESIGNED TO BE COMPATIBLE WITH THE SAE/USCAR2-6 STANDARD, TEMPERATURE CLASS T2, SEALING CLASS S1 AND VIBRATION CLASS V1.

UL RECOGNIZED - FILE #E196366 AND E169987.

REV. : PA PAGE : 3

ORIGINATED BY ANTON LIAD DATE 2018-10-09	TITLE 10/100 MagJack® (Ultra Low Profile) Automotive temperature A836-1A1T-91B PATENTED	PART NO. / DRAWING NO. A836-1A1T91B	STANDARD DIM. [] METRIC DIM. TOL. IN INCH AS REF.		
			.X	UNIT : INCH [mm]	
		FILE NAME A836-1A1T91B_PA.DWG	.XX	SCALE : N/A	
			.XXX	±0.010	SIZE : A4

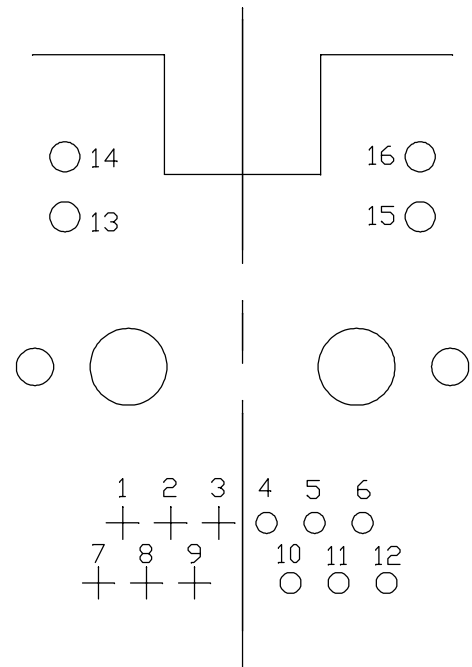
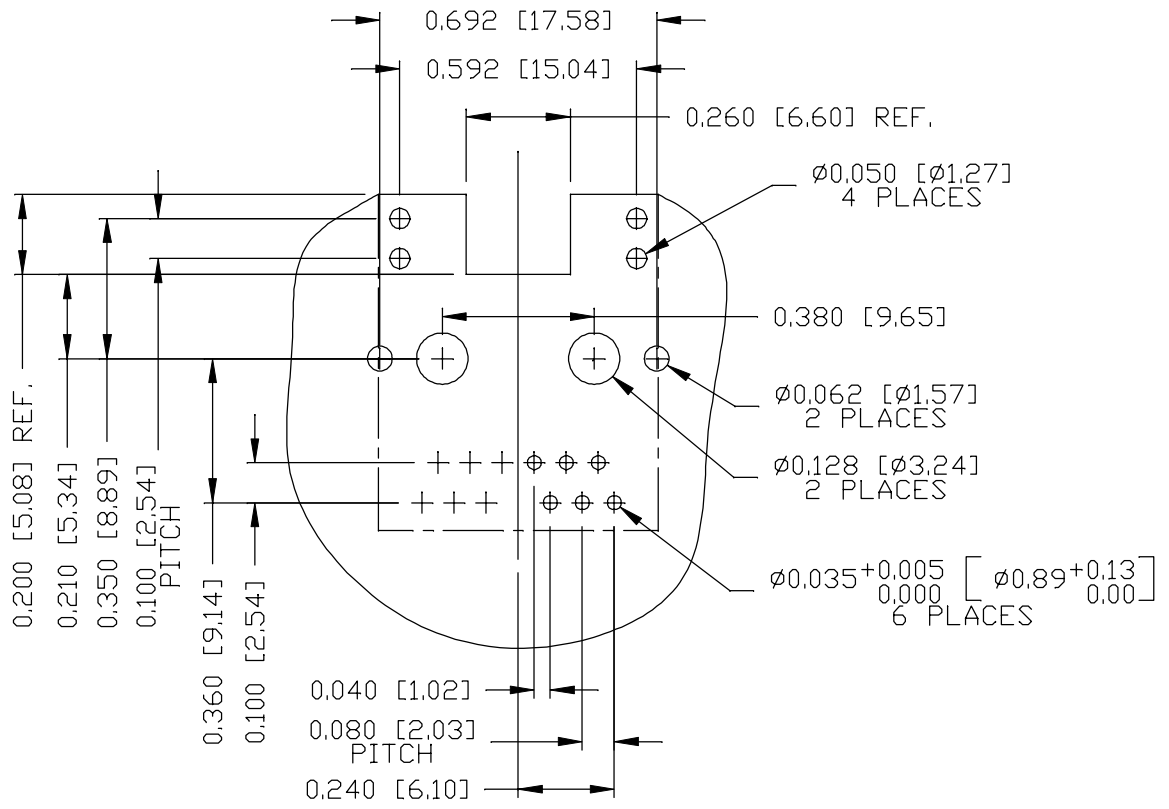


THE INFORMATION CONTAINED HEREIN IS CONSIDERED "PROPRIETARY" TO BEL FUSE INC. AND SHALL NOT BE COPIED, REPRODUCED OR DISCLOSED WITHOUT THE WRITTEN APPROVAL OF BEL FUSE INC.



PRELIMINARY

RECOMMENDED PCB FOOTPRINT
COMPONENT SIDE VIEW



PIN-OUT INFORMATION

(SCALE 1.5:1)

FOR ONE UNIT

ORIGINATED BY
ANTON LIAD
DATE 2018-10-09
DRAWN BY
LI QUANKUN
DATE 2018-10-09

TITLE
10/100 MagJack®
(Ultra Low Profile)
Automotive temperature
A836-1A1T-91B
PATENTED

PART NO. / DRAWING NO.
A836-1A1T91B
FILE NAME
A836-1A1T91B_PA.DWG

STANDARD DIM. TOL. IN INCH	[] METRIC DIM. AS REF.
.X	UNIT : INCH [mm]
.XX	SCALE : N/A
.XXX	±0.004
	SIZE : A4

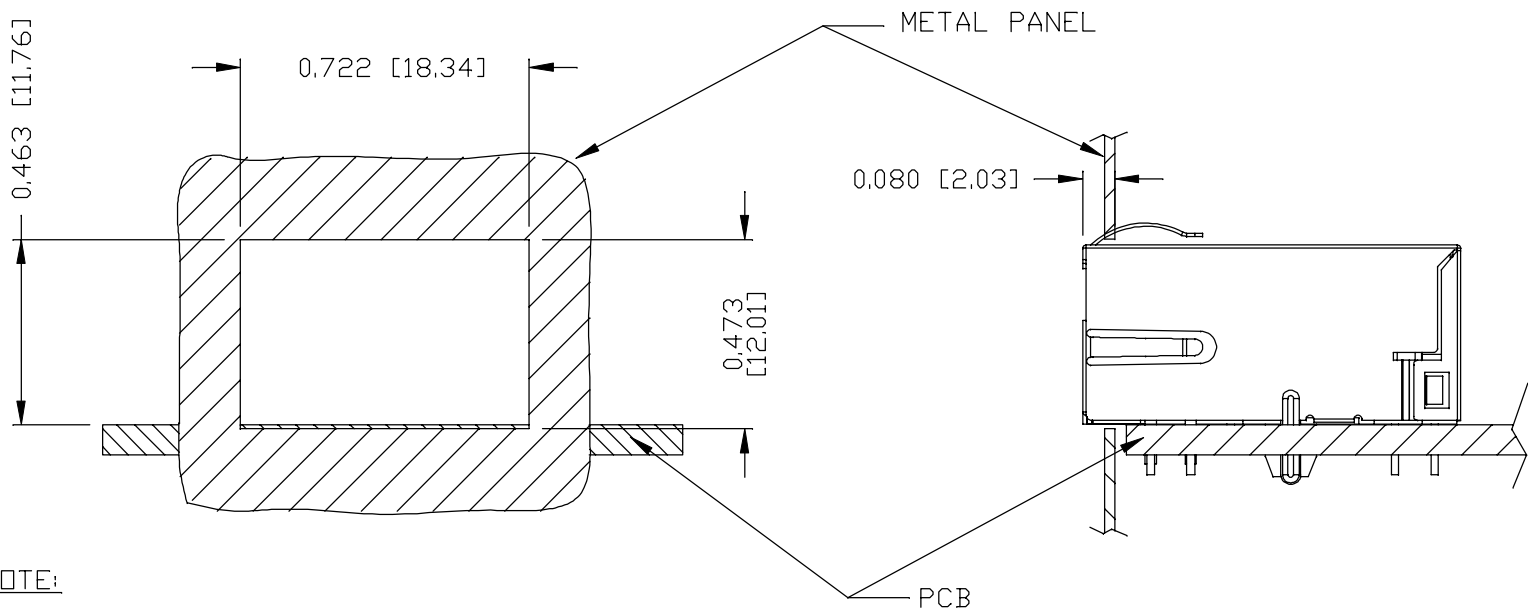
REV. : PA	PAGE : 4
<p>a bel group</p>	

THE INFORMATION CONTAINED HEREIN IS CONSIDERED 'PROPRIETARY' TO BEL FUSE INC. AND SHALL NOT BE COPIED, REPRODUCED OR DISCLOSED WITHOUT THE WRITTEN APPROVAL OF BEL FUSE INC.

PRELIMINARY



SUGGESTED PANEL OPENING



NOTE:

THE DISTANCE OF PANEL INSIDE SURFACE RELATIVE TO FRONT SURFACE OF PART IS ONLY A SUGGESTION. IN CASE THIS DISTANCE IS DIFFERENT, THE REQUIRED PANEL OPENING DIMENSIONS CHANGE ACCORDINGLY.

TRAY PACKING INFORMATION

PACKING TRAY : 0200-9999-E4 (TOP)
0200-9999-E5 (BOTTOM)

PACKING QUANTITY : 60 PCS FINISHED GOODS PER TRAY
11 TRAYS (660 PCS FINISHED GOODS) PER CARTON BOX

NOTE : CARDBOARDS ARE PLACED BETWEEN LAYERS OF PACKING TRAY INSIDE CARTON BOX (INCLUDE THE UPPERMOST AND LOWERMOST TRAY)

REV. : PA PAGE : 5

ORIGINATED BY
ANTON LIAD
DATE 2018-10-09
DRAWN BY
LI QUANKUN
DATE 2018-10-09

TITLE
10/100 MagJack®
(Ultra Low Profile)
Automotive temperature
A836-1A1T-91B
PATENTED

PART NO. / DRAWING NO.
A836-1A1T91B
FILE NAME
A836-1A1T91B_PA.DWG

STANDARD DIM. TOL. IN INCH	[] METRIC DIM. AS REF.
.X	UNIT : INCH [mm]
.XX	SCALE : N/A
.XXX ±0.005	SIZE : A4

