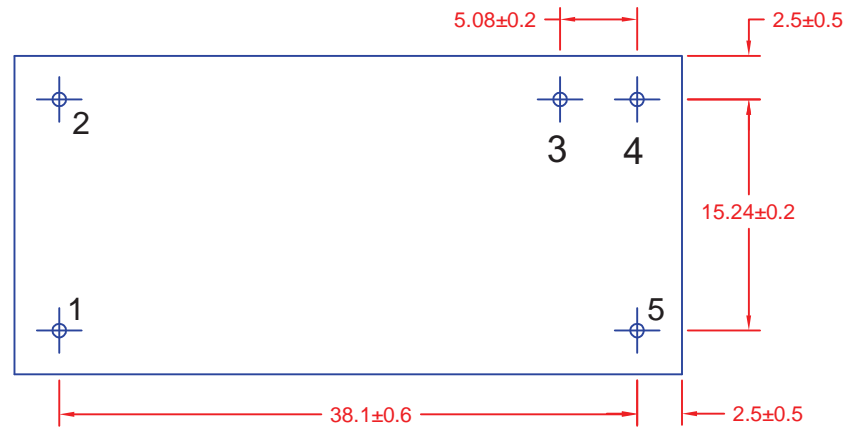
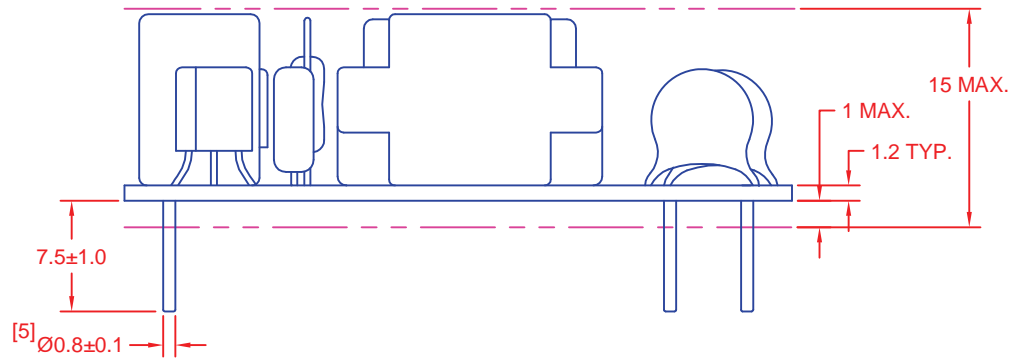
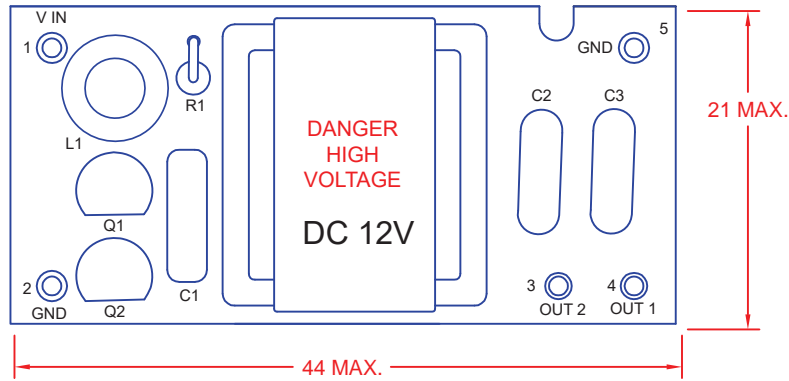
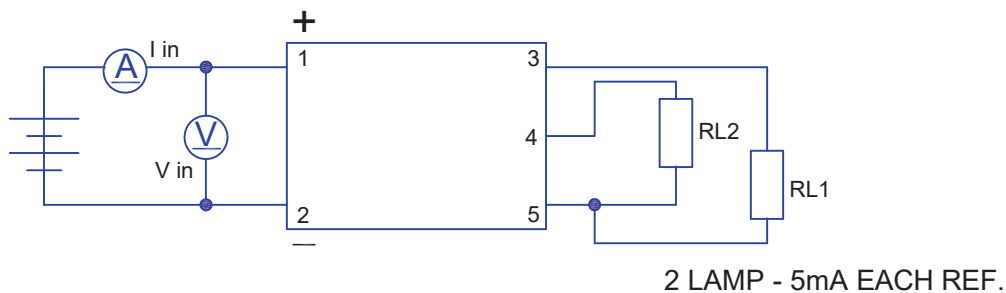
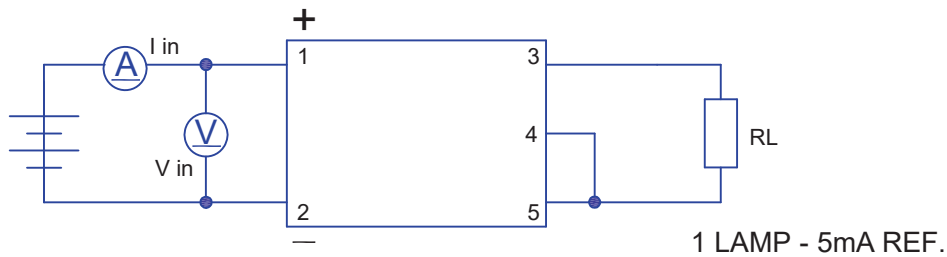
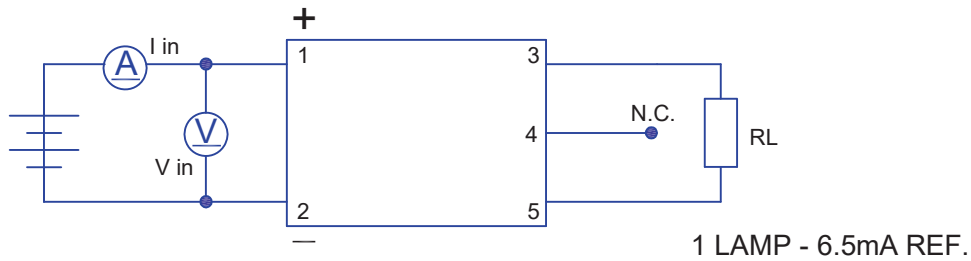
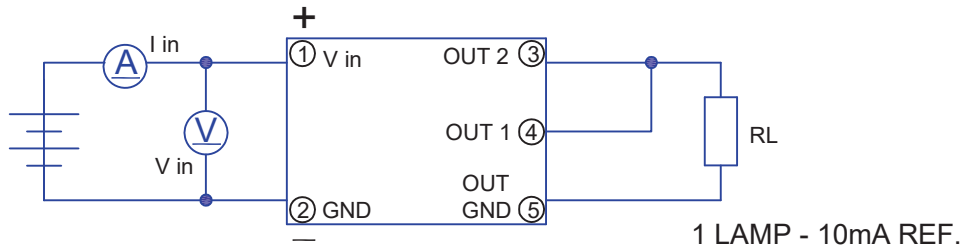


REV.	DESCRIPTION/LOG NO.	DATE
	RELEASED	3/10/03
A	DIM. CHANGE	3/27/03
B	RoHS COMPLIANCE	5/9/06
C	CHNG. COMPONENT LAYOUT	3/21/17
D	ADD BOARD DIMENSIONS	8/28/17
E	ADD PHOTO	1/15/21



JKL PART NO.: BXA-12529
*RoHS COMPLIANCE

 METRIC THIRD ANGLE PROJECTION	DIMENSIONS ARE IN MILLIMETERS TOLERANCE UNLESS OTHERWISE SPECIFIED 1 PL +/- 0.3 2 PL +/- ANGLE +/- 0		JKL COMPONENTS CORPORATION			
			TITLE 12 V DUAL CCFL POWER SUPPLY			
DRAWN BY L. WENGSTROM	APPV'D BY S.N. 1/15/21	DATE 1/15/21	SIZE A	FSCM NO. 55335	DRAWING NO. BXA-12529	
- CAD DRAWING - MANUAL REVISIONS NOT PERMITTED			SCALE NONE	RELEASED DATE 3/10/03	REVISION DATE 1/15/21	REV. NO. E SHEET 1 OF 2



BOARD PIN #	INPUT
1	+V (V in)
2	V (GND)
3	OUT2
4	OUT 1
5	OUT (GND)

CHARACTERISTICS	MIN	TYP	MAX
INPUT VOLTAGE: (vdc)	10.8	12.0	13.2
INPUT CURRENT: (mA)	220	260	500
OUTPUT VOLTAGE: (Vrms)	950	1000	1050
OUTPUT CURRENT (mA) x 2	4.5	5.5	6.5
OUTPUT FREQUENCY: (kHz)	25	35	45
OPERATING TEMP: (CELSIUS)	0	25	50

<p>METRIC THIRD ANGLE PROJECTION</p>	DIMENSIONS ARE IN MILLIMETERS TOLERANCE UNLESS OTHERWISE SPECIFIED 1 PL +/- 0.3 2 PL +/- 0 ANGLE +/- 0	<h1>JKL COMPONENTS CORPORATION</h1>			
	TITLE <h2>12 V DUAL CCFL POWER SUPPLY</h2>				
DRAWN BY L. WENGSTROM	APP'VD BY S.N. 1/15/21	DATE 1/15/21	SIZE A	FSCM NO. 55335	DRAWING NO. BXA-12529
- CAD DRAWING - MANUAL REVISIONS NOT PERMITTED			SCALE NONE	RELEASED DATE 3/10/03	REVISION DATE 1/15/21
				REV. NO. E	SHEET NO. 2 OF 2