

D

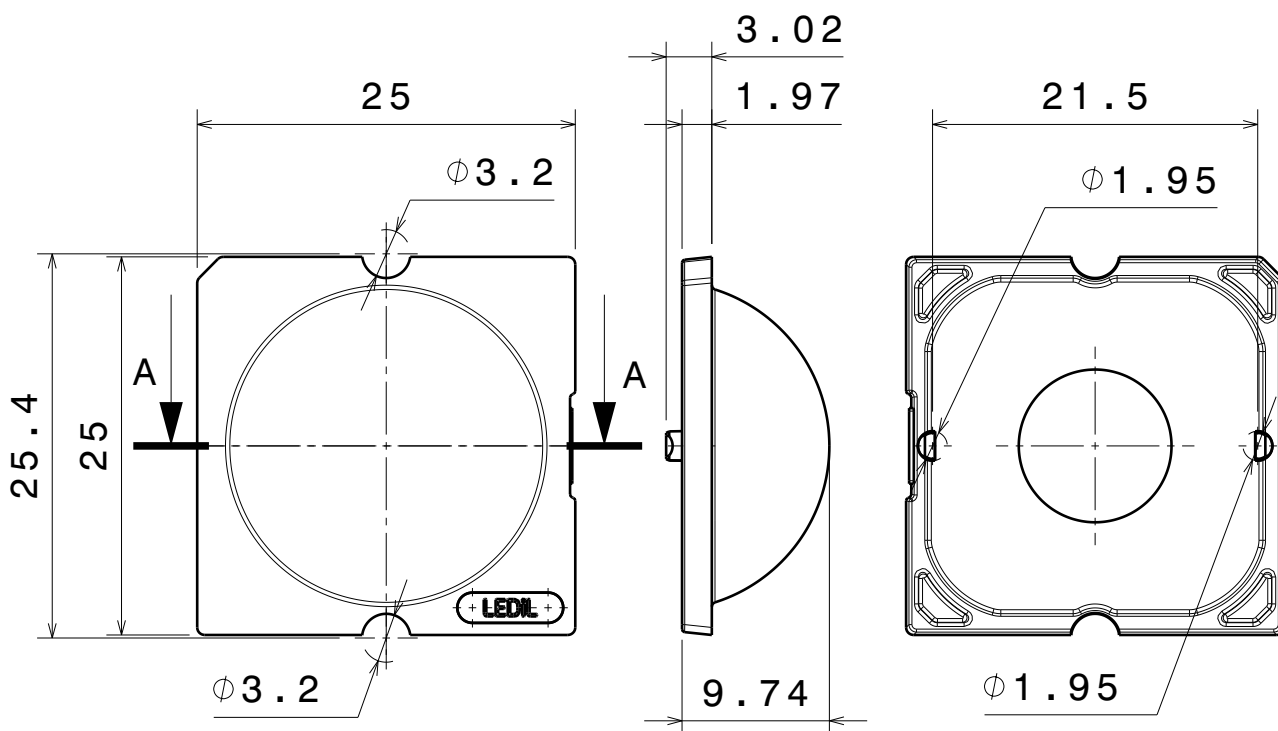
C

B

A

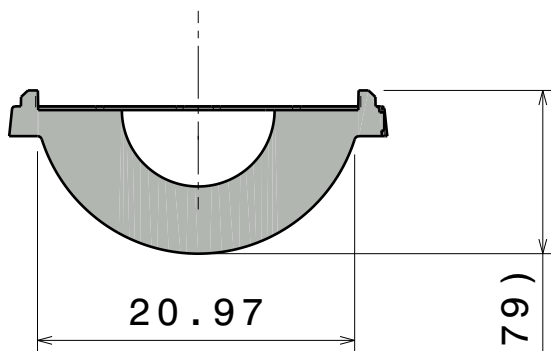
4

4

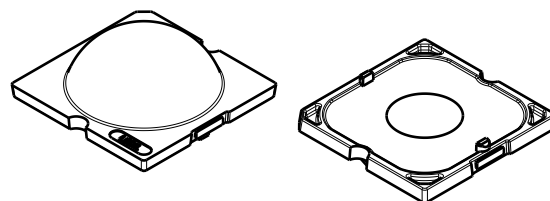


3

3



Section view A-A
Scale: 2:1



Isometric views
Scale: 1:1

2

2

INDEX	PART NO	DESCRIPTION	MATERIAL	COLOUR
1	C16029	STRADA-SQ-C_MechModel	PMMA	clear

Tolerances if not otherwise shown
According to DIN ISO 2768-1
Linear measures:
Up to 30mm class M, otherwise class C.
According to DIN ISO 2768-2
Form and position: class L

LEDiL

Ledil Oy
Salorankatu 10
FIN 24240 SALO
Finland

THIRD ANGLE PROJECTION:



DRAWING TITLE

C16029_STRADA-SQ-C_Datasheet

This drawing is the property
of LEDiL Oy. It may not be
reproduced, copied or
communicated without a written
agreement with LEDiL Oy.

SIZE PART NUMBER

A4

C16029

SCALE

2:1

WEIGHT

2,82 g

SHEET

1/1

1

1

D

A