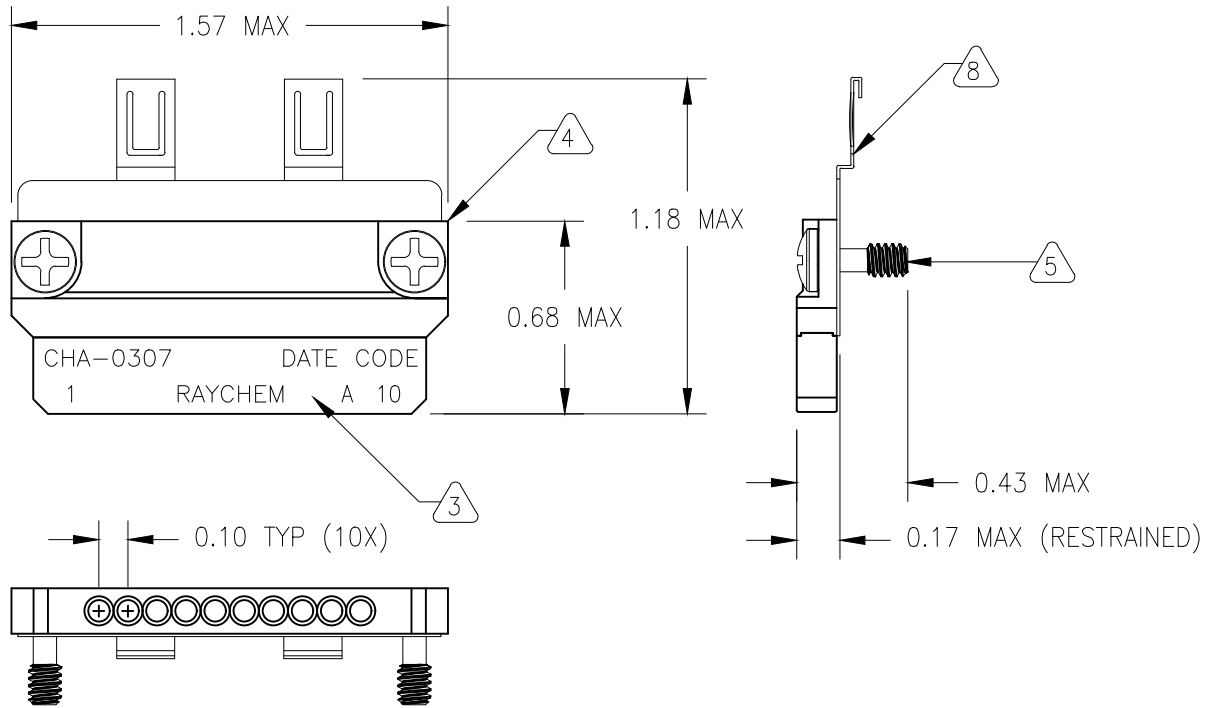


		REVISION	
REV	DESCRIPTION		DATE
G	REVISED PER ECO-18-008206		29MAY2018



Notes:

1. Application: Electroless Nickel MTC SH1 Plug Shells
2. For Use With MIL-C 39029/58-360, Size 22 Contacts
3. End Cap: Glass Filled Nylon, Flame Retardant, Black
4. Main Body: Aluminum, Electroless Nickel Plated
5. Screws: 4-40 Phillips Head, Stainless Steel 302, Passivated, Captive, Self-Locking. Alternative material A-286
6. Electrical Contacts: Brass / Beryllium Copper, Gold Plated
7. Markings: High Contrast Ink
8. Bus Bar, Beryllium Copper, Electroless Nickel Plated
9. Meets Raychem Specification C-6114 Requirements
10. Contact Cavity Bore Dia, Plated: .0685/0690 (REF)

© 2004 TYCO ELECTRONICS CORPORATION. ALL RIGHTS RESERVED.

				SPECIFICATION CONTROL DRAWING		
UNLESS OTHERWISE SPECIFIED DIMENSIONS ARE INCHES. METRIC DIMENSIONS ARE IN BRACKETS.	DRAWN	DATE		TYCO ELECTRONICS 300 CONSTITUTION DRIVE MENLO PARK, CA 94025		Raychem
	T RATZLAFF	26MAR2004				
DECIMAL TOLERANCES .XXX ± 0.005 [ 0.13 mm] .XX ± 0.010 [ 0.25 mm] .X ± 0.020 [ 0.50 mm]	MATERIAL	SEE NOTES		TITLE 1-INCH MTC GROUNDING BLOCK WITH FINGERS		
	FINISH	SEE NOTES				
ANGLE TOLERANCE .X ± 0.5 DEG.	THIRD ANGLE PROJECTION			SIZE	CAGE CODE	DWG. NO.
WEIGHT (NOM) LBS. 0.0137 [ 6.2 gm]				A	06090	CHA-0307
CAD FILE	C041089.DWG		DO NOT SCALE THIS DRAWING			SHEET 1 OF 1