



## CFP2 PLUGGABLE EDFA

### Description

Jabil Photonic CFP2 form factor EDFA is a pluggable CFP2 product designed for single channel or C-band DWDM amplification in Telecom, Datacom or CATV applications. It is designed to be compatible with CFP2 MSA on mechanical and electrical interface.

Jabil Photonic CFP2 EDFA supports the constant gain working mode and can monitor the input and output optical power in real time, supporting optical safety functionality by signal loss detection and alarm at any input port, fast power down control and reduced max output power in safe power mode.

A Booster or Preamplifier versions are available.

### Features

- CFP2 form factor, super compact form factor
- 1529-1561nm, DWDM Application
- Preamplifier or Booster version
- Output power up to 20dBm (Booster)
- Output power up to 10dBm (Preamplifier)
- Highly integrated passive component and ultra small form factor pump
- Constant gain operation mode
- Operating temperature -40°C to 65°C



### Applications

- DWDM application with GFF
- CATV



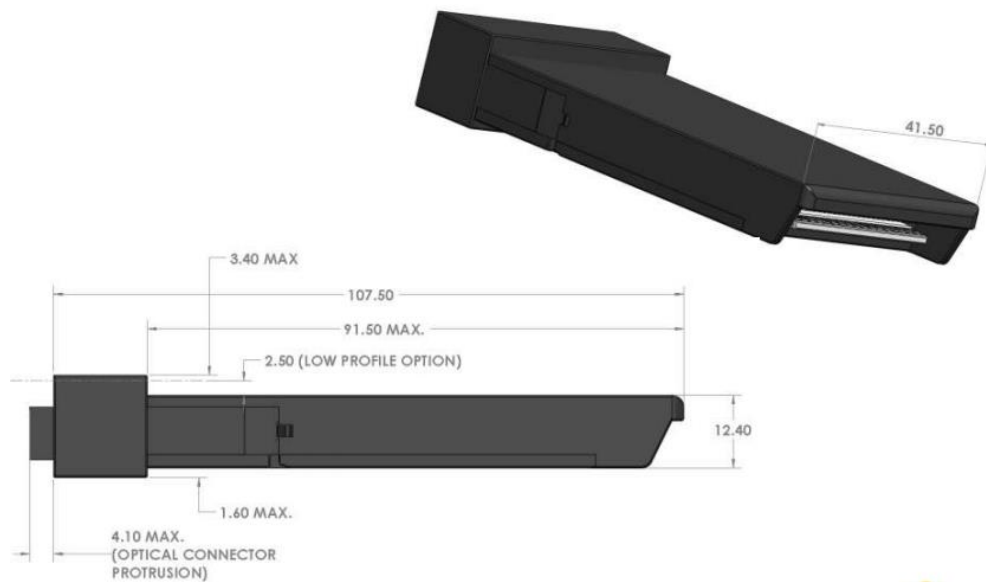
## Environmental Specifications

Parameter	Min.	Typ.	Max.	Unit
Operation Temperature	-40	25	+65	°C
Storage Temperature	-40	-----	+85	°C
Operation Humidity*	5	-----	95	%
Storage Humidity	5	-----	95	%

(\* ) not condensing

## Operating Specifications

Parameter	Min.	Typ.	Max.	Unit
Supply Voltage	3.1	+3.3	+3.5	V
Power Dissipation	5.8	8	11	W



## Optical Specifications

### Preamplifier

Parameter	Min.	Typ.	Max.	Unit
Wavelength	1529		1561	nm
Input Power	-35		-10	dBm
Output Power	-7		10	dBm
Output Power Variation	-0.3		0.3	dB
Gain		20		dB
Gain Flatness (peak to peak)			1.3	dB
Gain Accuracy	-0.5		0.5	dB
Noise Figure			6.0	dB
PDL			0.3	dB
PMD			0.5	ps
Return Loss	45			dB
LOSA		-37		dBm
Hysteresis		2		dB

### Booster

Parameter	Min.	Typ.	Max.	Unit
Wavelength	1529		1561	nm
Input Power	-20		10	dBm
Output Power	0		20	dBm
Output Power Variation	-0.3		0.3	dB
Gain		20		dB
Gain Flatness (peak to peak)			1.3	dB
Gain Accuracy	-0.5		0.5	dB
Noise Figure			6.0	dB
PDL			0.3	dB
PMD			0.5	ps
Return Loss	45			dB
LOSA		-22		dBm
Hysteresis		2		dB



### Ordering information

Jabil Part Number	Package	Gain	Output Power	Other info
JP-EDFA-CFP2-2010	CFP2	20 dB	10dBm	Preamplifier
JP-EDFA-CFP2-2020	CFP2	20 dB	20dBm	Booster

### Contact information

For additional information and evaluation samples order, please contact:

Chuck Sinha, Sr. Director of Sales

Jabil Photonics

5960 Inglewood Dr. Suite 100, Pleasanton, CA

Mobile: 408-505-0955

Email: [Chuck\\_Sinha@Jabil.com](mailto:Chuck_Sinha@Jabil.com)