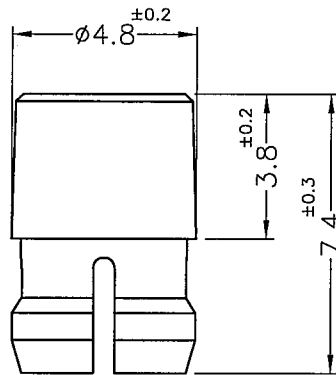
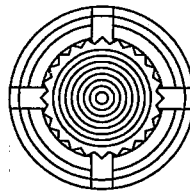



REVISIONS			
REV	DESCRIPTION	DATE	BY



MOUNTING HOLE: 4.4mm  
THICKNESS: 1.2mm



NOTE:MADE OF EQUIVALENT MATERIAL.  
均可使用同等材質。

 <p>康揚企業股份有限公司 KANG YANG HARDWARE ENTERPRISE CO., LTD. 康揚塑膠(東莞)有限公司 KANG YANG PLASTIC(DONG GUAN) CO., LTD. 康哲電腦配件(吳江)有限公司 KANG CHE COMPUTER COMPONENTS(WUJIANG) CO., LTD.</p>				TITLE	LENS CAP	SPEC. DWG.	
				MATERIAL	PC UL94V-2	DATE	2006.08.04
				FINISH		DRAWN	JACK
				COLOR	TRANSPARENT	CHECK	李柏宥
PART NUMBER	LC3-6	DRAWING NUMBER	LC3-6	UNLESS OTHERWISE SPECIFIED TOLERANCE	SEE ABOVE	APPROVED	Kang
SIZE	A4	SCALE	5:1	UNIT	mm	REV	A