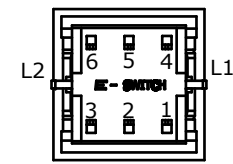
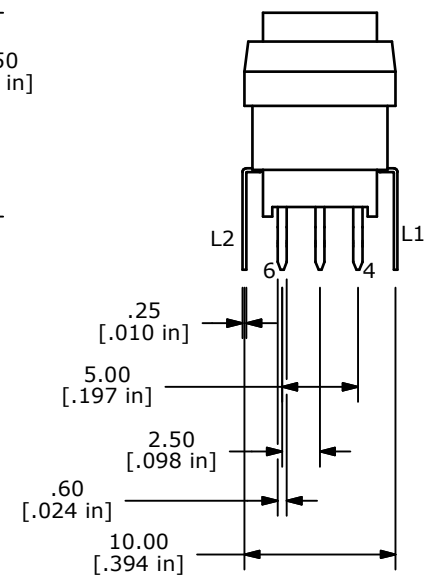
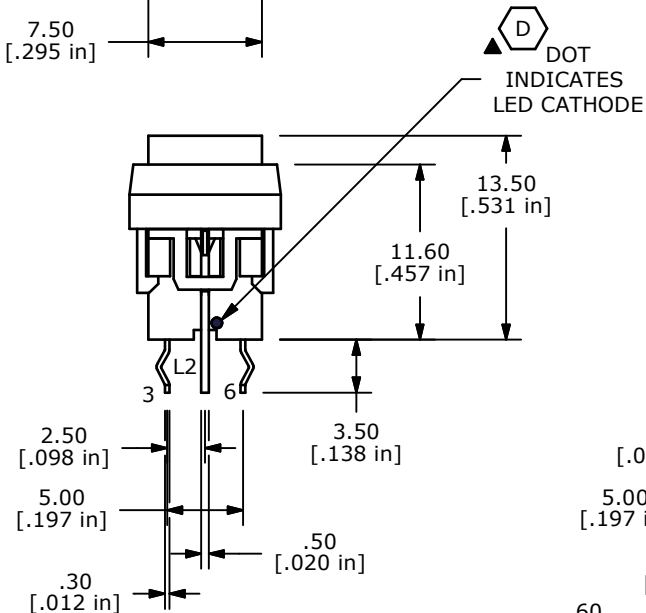
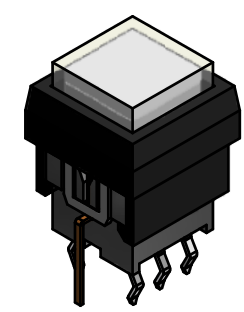
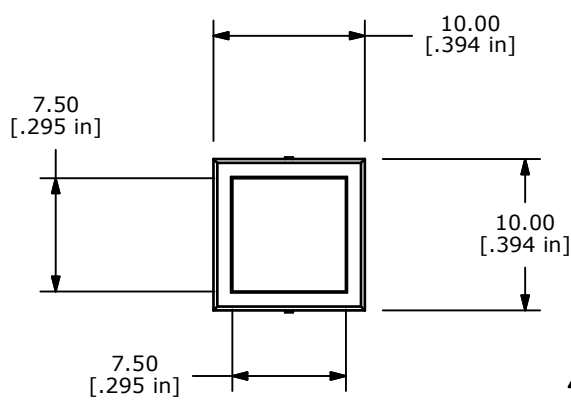


- NOTES:
1. ALL DIMENSIONS IN MM [INCH]
 2. GENERAL TOLERANCE: X.X=±0.4
X.XX=±0.25
 3. TERMINAL NUMBERS FOR REF ONLY
 4. CONTACT RATING: CURRENT: 100mA
VOLTAGE: 30 VDC
 5. OPERATING LIFE: 50,000 MAKE-AND-BREAK CYCLES
 6. INSULATION RESISTANCE: 500VDC, 100M OHM. MIN.
 7. OPERATING FORCE: 250gf ± 100 GRAMS
 8. OPERATING TEMP.: -20°C to 70°C
 - ▲ 9. TRAVEL: 1.00 ± 0.3mm LOCK
1.50 ± 0.3mm FULL TRAVEL
 10. CONTACT RESISTANCE: 50 m OHM. MAX.
 11. ▲ DENOTES CRITICAL PARAMETER.
 12. 2002/95/EC (ROHS) COMPLIANT
 - ▲ 13. LED COLOR: BLUE



| LED SPECS | UNITS | BLUE |
|---------------------------|-------|---------|
| FORWARD CURRENT | mA | 5 |
| FORWARD VOLTAGE @20mA | V | 2.9-4.0 |
| LUMINOUS INTENSITY @ 10mA | MCD | 9@5mA |

| REV | PCR NO | DESCRIPTION | DATE | BY |
|-----|--------|----------------------------------|----------|-----|
| D | 20994 | REMOVE "WHITE" FROM LED DOT NOTE | 1/30/13 | EBP |
| C | 19601 | UPDATE DRAWING | 1/19/11 | BGL |
| B | 18414 | PCB LAYOUT SECTION FIXED | 2/19/09 | BLR |
| A | 18354 | RELEASE FOR PRODUCTION | 12/18/08 | BLR |



| | | | | |
|-------------------|-----------|-----|---------|-----|
| TITLE LP4EE1PBATB | | | | |
| SCALE | DATE | DR | DWG | REV |
| 2 = 1 | 2/19/2009 | BLR | B240011 | D |

THE INFORMATION CONTAINED IN THIS DOCUMENT IS PROPRIETARY TO E-SWITCH AND IS NOT TO BE COPIED OR TRANSFERRED