

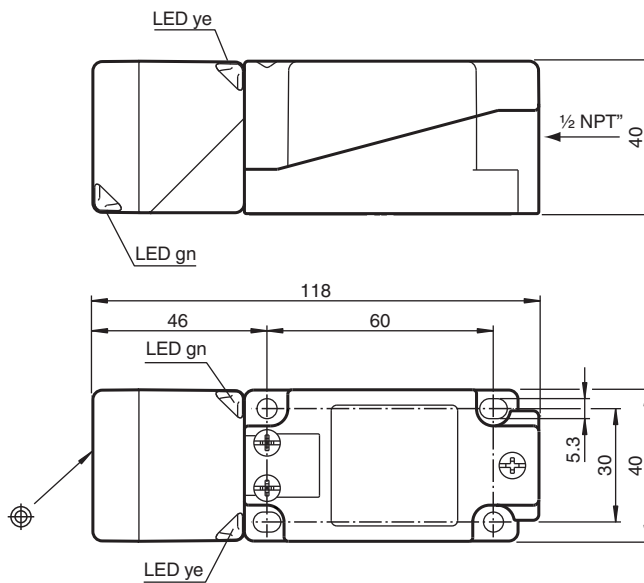


Inductive sensor NBN40-U4-A2

- Sensor head bidirectional and rotatable
- 40 mm non-flush
- 4-wire DC
- 4 LEDs indicator for 360° visibility



Dimensions



Technical Data

General specifications

| | | |
|----------------------------|-------|---------------|
| Switching function | | complementary |
| Output type | | PNP |
| Rated operating distance | s_n | 40 mm |
| Installation | | non-flush |
| Output polarity | | DC |
| Assured operating distance | s_a | 0 ... 32.4 mm |
| Reduction factor r_{Al} | | 0.31 |
| Reduction factor r_{Cu} | | 0.3 |
| Reduction factor r_{304} | | 0.74 |

Release date: 2022-05-18 Date of issue: 2022-05-18 Filename: 203101_eng.pdf

Refer to "General Notes Relating to Pepperl+Fuchs Product Information".

Pepperl+Fuchs Group
www.pepperl-fuchs.com

USA: +1 330 486 0001
fa-info@us.pepperl-fuchs.com

Germany: +49 621 776 1111
fa-info@de.pepperl-fuchs.com

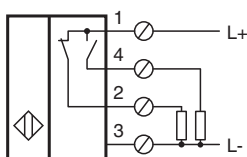
Singapore: +65 6779 9091
fa-info@sg.pepperl-fuchs.com

PEPPERL+FUCHS



Technical Data

| | | |
|---|-------|--|
| Reduction factor r_{Brass} | | 0.39 |
| Output type | | 4-wire |
| Nominal ratings | | |
| Operating voltage | U_B | 10 ... 30 V DC |
| Switching frequency | f | 0 ... 180 Hz |
| Hysteresis | H | typ. 5 % |
| Reverse polarity protection | | reverse polarity protected |
| Short-circuit protection | | pulsing |
| Voltage drop | U_d | ≤ 2 V |
| Operating current | I_L | 0 ... 200 mA |
| Off-state current | I_r | 0 ... 0.5 mA |
| No-load supply current | I_0 | ≤ 20 mA |
| Time delay before availability | t_v | 80 ms |
| Operating voltage indicator | | LED, green |
| Switching state indicator | | LED, yellow |
| Functional safety related parameters | | |
| MTTF _d | | 1230 a |
| Mission Time (T_M) | | 20 a |
| Diagnostic Coverage (DC) | | 0 % |
| Compliance with standards and directives | | |
| Standard conformity | | |
| Standards | | EN 60947-5-2:2007 EN 60947-5-2/A1:2012 IEC 60947-5-2:2007 IEC 60947-5-2 AMD 1:2012 |
| Approvals and certificates | | |
| UL approval | | cULus Listed, General Purpose |
| CCC approval | | CCC approval / marking not required for products rated ≤ 36 V |
| Ambient conditions | | |
| Ambient temperature | | -25 ... 85 °C (-13 ... 185 °F) |
| Mechanical specifications | | |
| Connection type | | screw terminals |
| Information for connection | | A maximum of two conductors with the same core cross section may be mounted on one terminal connection! tightening torque 1.2 Nm + 10 % |
| Core cross section | | up to 2.5 mm ² |
| Minimum core cross-section | | without wire end ferrule 0.5 mm ² , with connector sleeves 0.34 mm ² |
| Maximum core cross-section | | without wire end ferrule 2.5 mm ² , with connector sleeves 1.5 mm ² |
| Housing material | | PA/metal with epoxy powder coating |
| Sensing face | | PA |
| Housing base | | metal |
| Degree of protection | | IP68 / IP69K |
| Mass | | 225 g |
| Note | | Tightening torque: 1.8 Nm (housing) |

Connection



Accessories

| | | |
|---|--------------------|--|
|  | MH 04-2681F | Mounting aid for VariKont, +U1+ and +U9* |
|  | MHW 01 | Modular mounting bracket |