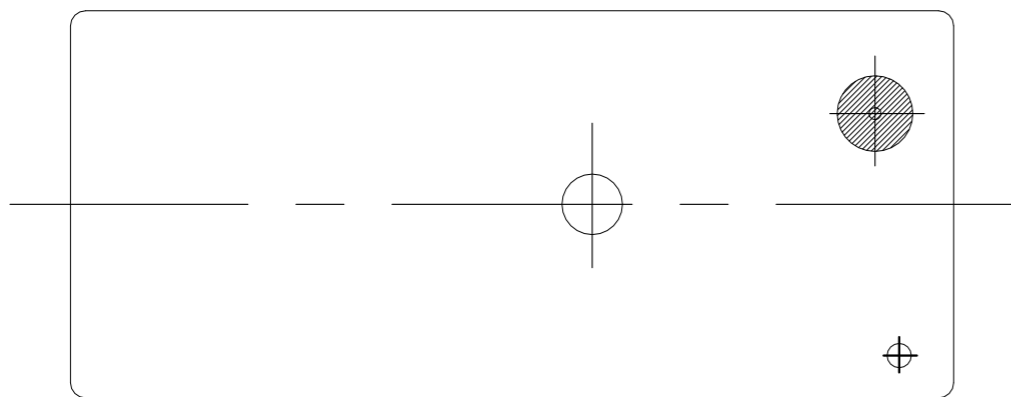


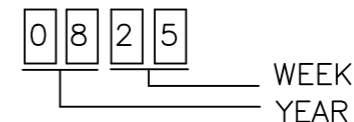
REVISIONS

P	LTR	DESCRIPTION	DATE	DWN	APVD
H		CANCEL SEMKO, DIMENSION CHANGE, BASE MATERIAL CHANGE	24-SEP-21	XR.L	K.T



NOTES:

1.LOT NO. SYSTEM AS FOLLOWING:



2.GENERAL TOLERANCE AS FOLLOWING:

TOLERANCE	
0~0.99mm	± 0.1
1mm~2.99mm	± 0.2
3mm MIN.	±0.3

3.TERMINAL DIMENSION IS NOT INCLUDING SOLDER TIP.

4. -SH-: WASHABLE TYPE

-SS-: PLASTIC SEALED TYPE

5.FOR THE TIN-PLATING OF THE PINS:

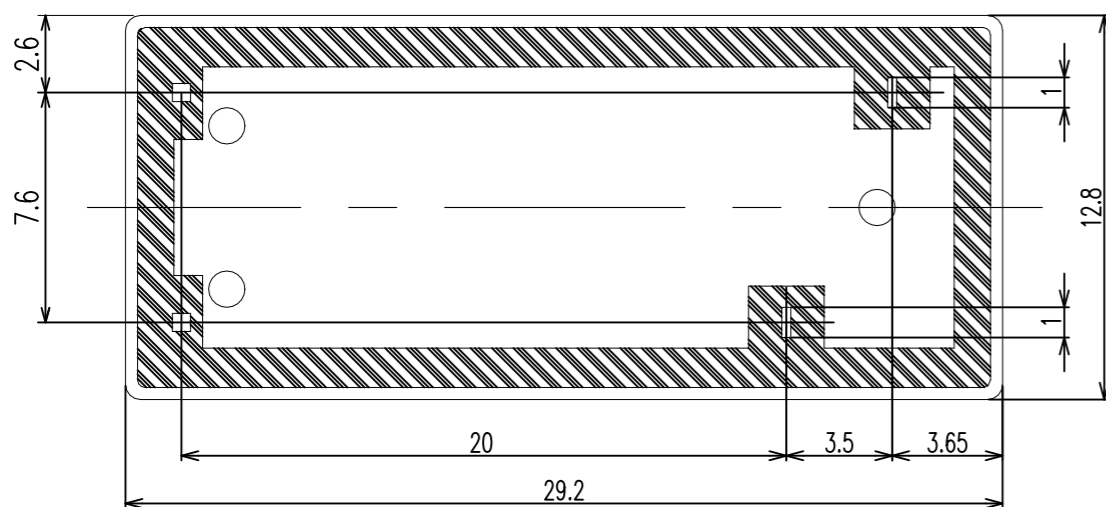
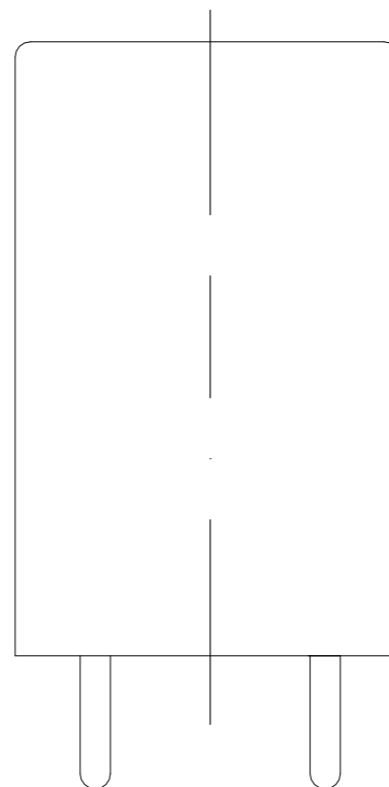
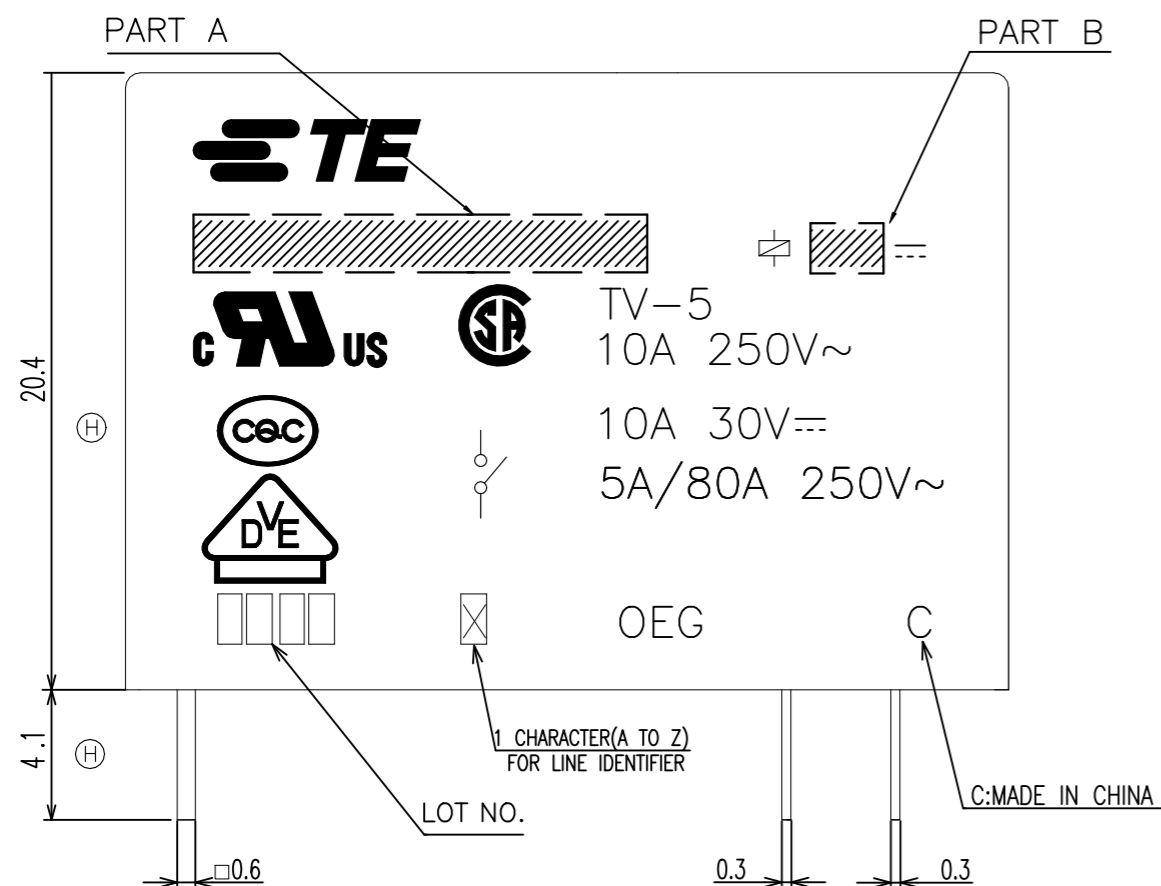
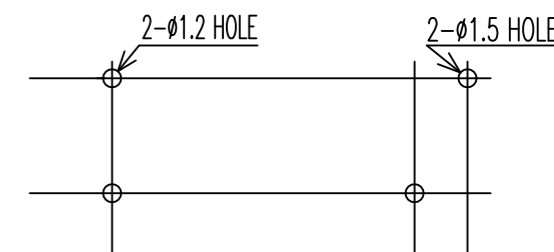
+0.1mm FOR WIDTH,THICKNESS AND DIAMETER.

+0.5mm FOR LENGTH.

CONNECTION DIAGRAM (BOTTOM VIEW)



DRILLING DIAGRAM(2/1) (BOTTOM VIEW)



THIS DRAWING IS A CONTROLLED DOCUMENT.

DWN YANG.XIAO

CHK ZHANG.XIAONING

APVD C.H.HSU

PRODUCT SPEC

APPLICATION SPEC

WEIGHT

CUSTOMER DRAWING

STE TE Connectivity Ltd.

OMIT-1M SPEC,000 CUSTOMER DRAWING

SIZE CAGE CODE DRAWING NO RESTRICTED TO

A3 00779 C-3-1419123-7

SCALE 4:1 SHEET 1 OF 2 REV H


DIMENSIONS:	TOLERANCES UNLESS OTHERWISE SPECIFIED:
mm	
0 PLC	± -
1 PLC	± -
2 PLC	± -
3 PLC	± -
4 PLC	± -
ANGLES	± -
FINISH	

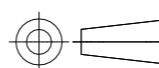
REVISIONS				
P	LTR	DESCRIPTION	DATE	APVD
-	-	SEE SHEET 1	-	-

4-1419123-3	OMIT-SH-124LM	24V	OMIT-SH-124LM	j
3-1419123-6	OMIT-SH-112DM	12V	OMIT-SH-112DM	i
3-1419123-7	OMIT-SH-112LM	12V	OMIT-SH-112LM	h
2-1419145-3	OMIT-SH-109LM	9V	OMIT-SH-109LM	g
5-1419123-6	OMIT-SS-148DM	48V	OMIT-SS-148DM	f
5-1419123-4	OMIT-SS-124DM	24V	OMIT-SS-124DM	e
5-1419123-5	OMIT-SS-124LM	24V	OMIT-SS-124LM	d
4-1419123-9	OMIT-SS-112LM	12V	OMIT-SS-112LM	c
4-1419123-6	OMIT-SS-109LM	9V	OMIT-SS-109LM	b
4-1419123-5	OMIT-SS-105LM	5V	OMIT-SS-105LM	a
TE PART NO	PART A	PART B	DESCRIPTION	No.

RELAY TYPE

		UV RESIN	UV SEAL	17
		EPOXY RESIN	SEAL	16
		—	TAPE	15
UL94 V-0		PBT	CASE	14
CLASS E		UEW	MAGNETIC WIRE	13
UL94 V-0		PBT ⊕	BASE	12
UL94 V-0		PBT	BOBBIN	11
	SOLDER DIP	CP WIRE	COIL TERMINAL	10
UL94 V-0		PPS	CARD	9
		Ag ALLOY	MOVABLE CONTACT	8
		Ag ALLOY	STATIONARY CONTACT	7
		Cu ALLOY	HINGE SPRING	6
	SOLDER DIP	Cu ALLOY	STATIONARY TERMINAL	5
	SOLDER DIP	Cu ALLOY	MOVABLE SPRING	4
		STEEL	CORE	3
		STEEL	ARMATURE	2
		STEEL	YOKE	1
INCOMBUSTIBILITY	TREATMENT	MATERIAL	DESCRIPTION	ITEM

THIS DRAWING IS A CONTROLLED DOCUMENT.		DWN YANG.XIAO	 TE Connectivity Ltd.	
		CHK ZHANG.XIAONING		
		APVD C.H.HSU	NAME	
		PRODUCT SPEC	OMIT-1M SPEC,000 CUSTOMER DRAWING	
		APPLICATION SPEC		
		WEIGHT	SIZE A3	CAGE CODE 00779
			DRAWING NO G-3-1419123-7	
			RESTRICTED TO	
			SCALE 4:1	SHEET 2 OF 2
			REV H	
		CUSTOMER DRAWING		

DIMENSIONS:	TOLERANCES UNLESS OTHERWISE SPECIFIED:
mm	
	0 PLC ± -
	1 PLC ± -
	2 PLC ± -
	3 PLC ± -
	4 PLC ± -
	ANGLES ± -
MATERIAL	FINISH
-	-