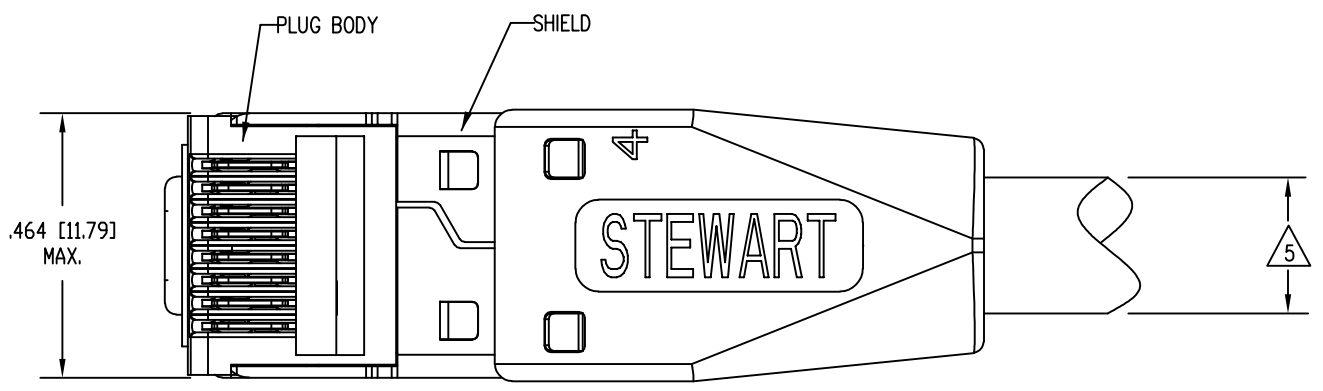
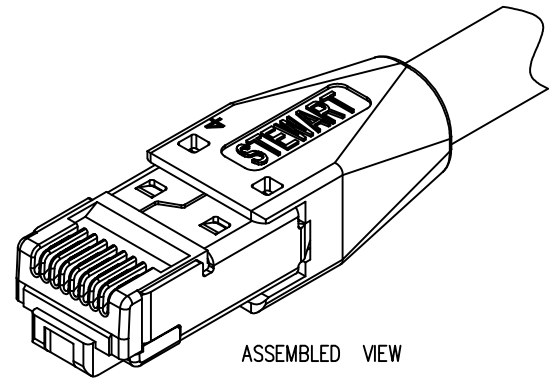
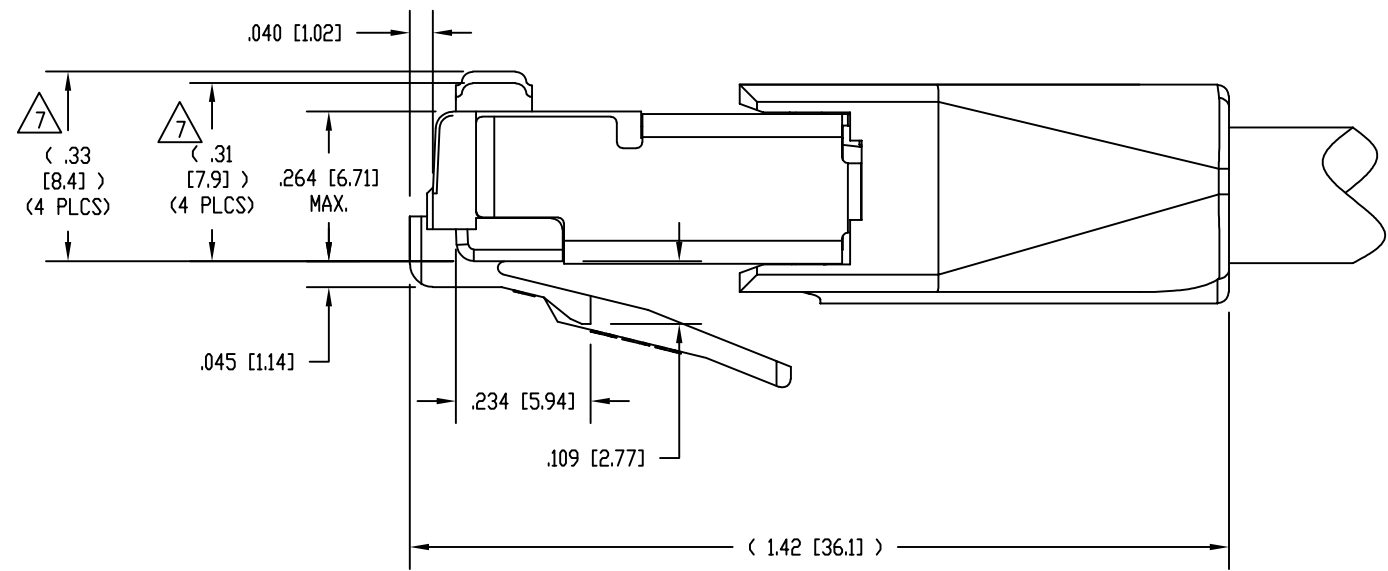
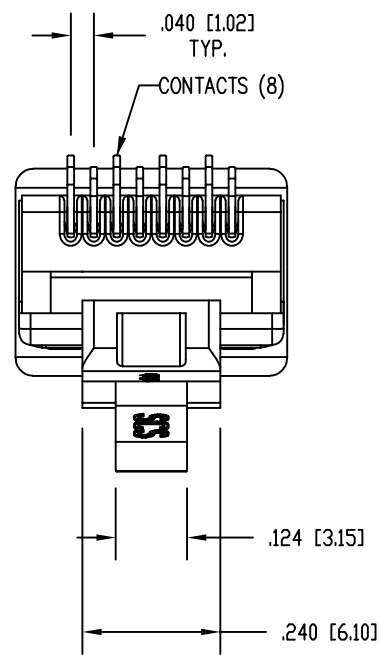


| DATE | REV | ECN | APP'D. BY |
|---------|-----|-----|-----------|
| 2-14-19 | A0 | - | BTS |
| | | | |
| | | | |

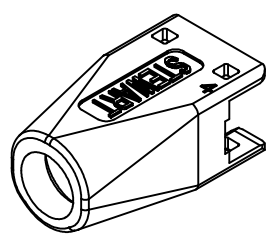


NOTES:

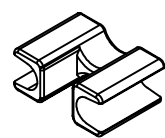
1. PLUG KIT CONSISTS OF:
PRE-INSERTED PLUG BODY WITH SHIELD
LOAD BAR
WIRE ALIGNER
BOOT
2. MATERIALS:
PLUG BODY: CLEAR POLYCARBONATE, UL 94-V0
BOOT AND LOAD BAR: BLACK POLYCARBONATE, UL 94-V0
WIRE ALIGNER: CLEAR POLYCARBONATE, UL 94-V0
CONTACTS: COPPER ALLOY, SELECTIVE GOLD PLATING
SHIELD: COPPER ALLOY, NICKEL PLATE
3. FOR PRODUCT SPECIFICATION SEE PR026-01.
4. CONTACTS TERMINATE SOLID OR STRANDED CONDUCTORS BETWEEN .037 [0.94] TO .042 [1.07] OUTSIDE DIAMETER OF INSULATION.
5. CABLES WITH OUTSIDE NOMINAL DIAMETERS OF .270 [6.86] TO .295 [7.49].
6. DIMENSIONS AND TOLERANCES COMPLY WITH TIA-1096 STANDARD FORMERLY FCC/CFR 47, PART 68.
7. CONTACT HEIGHT BEFORE TERMINATION.
AFTER TERMINATION, THE CONTACT HEIGHT IS .237 [6.02] ±.005 [0.13].
8. PRODUCT DESIGNED FOR CATEGORY 6 AND 6A APPLICATIONS.
9. PLUG KIT CONSISTS OF 1 EACH SHIELDED PLUG BODY, LOAD BAR, WIRE ALIGNER, AND BOOT, PACKED IN ZIPPER BAG.



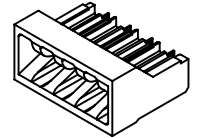
| | | |
|-----------|--------------------------------|--------------|
| BULK | 50 MICRO-INCHES [1.27um] | SS-39200-088 |
| BAGGED | 50 MICRO-INCHES [1.27um] | SS-39200-087 |
| PACKAGING | CONTACT PLATING IN MATING AREA | PART NUMBER |



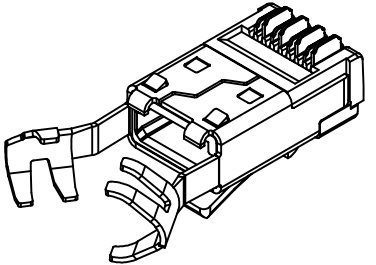
BOOT
39200-925



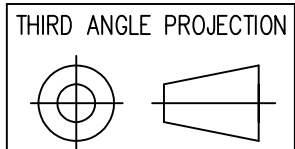
WIRE ALIGNER
39100-864



LOAD BAR
39100-847



PRE-INSERTED PLUG
BODY WITH SHIELD
39200-318



11118 Susquehanna Trail South
Glen Rock, PA 17327-9199
(717) 235-7512
<http://www.stewartconnector.com>

DO NOT SCALE DRAWING
DRAWING IS SUBJECT TO
CHANGE WITHOUT NOTICE

DIMENSIONS: INCHES [METRIC]

UNLESS OTHERWISE SPECIFIED
TOLERANCES ARE ±.005 [0.13]
ANGLES ARE ± 1°

SHEET NO. 1 OF 1

TITLE: 8 CONDUCTOR, 8 POSITION SHIELDED PLUG, WITH LOAD BAR,
AND WIRE ALIGNER, .042 MAX DIA WIRE, .295 MAX CABLE

THIS DRAWING AND THE SUBJECT MATTER SHOWN THEREON ARE
CONFIDENTIAL AND THE PROPRIETARY PROPERTY OF STEWART CONNECTOR
AND SHALL NOT BE REPRODUCED, COPIED, OR USED IN ANY MANNER WITHOUT
PRIOR WRITTEN CONSENT OF STEWART CONNECTOR. THIS PRODUCT
MAY BE PROTECTED BY ONE OR MORE OF THE FOLLOWING US PATENTS:
5628647 6402559 6409535 6524128
7753717 8033863
OTHER PATENTS MAY BE PENDING.

| | | | |
|----------|----------|------|----------|
| DRN BY: | BTS | DATE | 02-12-19 |
| APPD BY: | JME | DATE | 02-14-19 |
| DWG NO. | CT390214 | REV. | A0 |