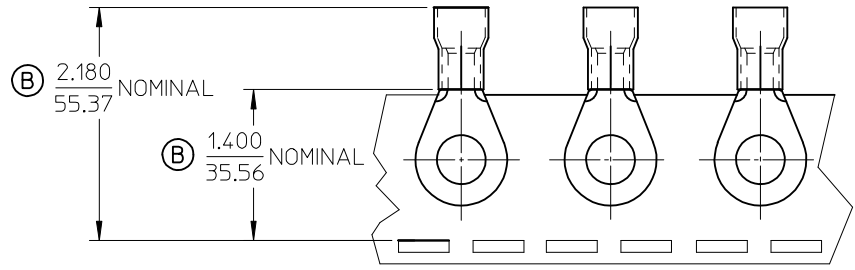
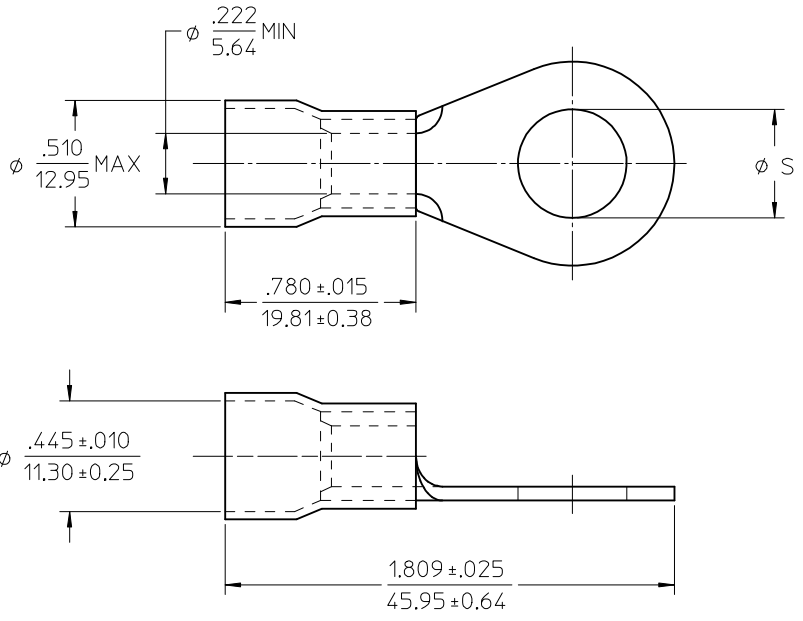


10	9	8	7	6	5	4	3	2	1
MATERIAL NO.	ENG. NO.	STUD SIZE	ØS ±.003	TERMINAL MATL NO.	TERMINAL ENGINEERING NO.	INSULATION MATL NO.	INSULATION ENGINEERING NO.		
190710205	E-658-38XT	3/8	.390	191930230	E-358-38	191610509	19161-0509		
190710464	E-658-12XT	1/2	.515	191930226	E-358-12	191610509	19161-0509		(B)



SALES DRAWING

NOTE:
1. ALL PARTS ARE RoHS COMPLIANT

REVISED TAPE LOCATION EC NO: ETC2007-0162 DRAWN: JLOMASTRO 2006/10/12 CHKD: JMACNEIL 2006/10/12 APPR: JMACNEIL 2006/10/13	QUALITY SYMBOLS	GENERAL TOLERANCES (UNLESS SPECIFIED)	DIMENSION STYLE	SCALE	DESIGN UNITS	THIRD ANGLE PROJECTION
	▽=0	mm INCH	IN/MM	4:1	INCH	
	▽7=0	4 PLACES ± --- ± --- 3 PLACES ± --- ± --- 2 PLACES ± --- ± --- 1 PLACE ± --- ± ---	DRAWN BY DATE JLOMASTRO 06/10/11	TITLE	RING TONGUE TERMINAL INSULKRIMP 658 SERIES 6 AWG	
		ANGULAR ± ---°	CHECKED BY DATE JMACNEIL 06/10/11	MOLEX INCORPORATED		
		DRAFT WHERE APPLICABLE MUST REMAIN WITHIN DIMENSIONS	APPROVED BY DATE JMACNEIL 06/10/11	MATERIAL NO.	DOCUMENT NO.	SHEET NO.
A			SEE CHART		SD-19071-016	1 OF 1
			SIZE B	THIS DRAWING CONTAINS INFORMATION THAT IS PROPRIETARY TO MOLEX INCORPORATED AND SHOULD NOT BE USED WITHOUT WRITTEN PERMISSION		