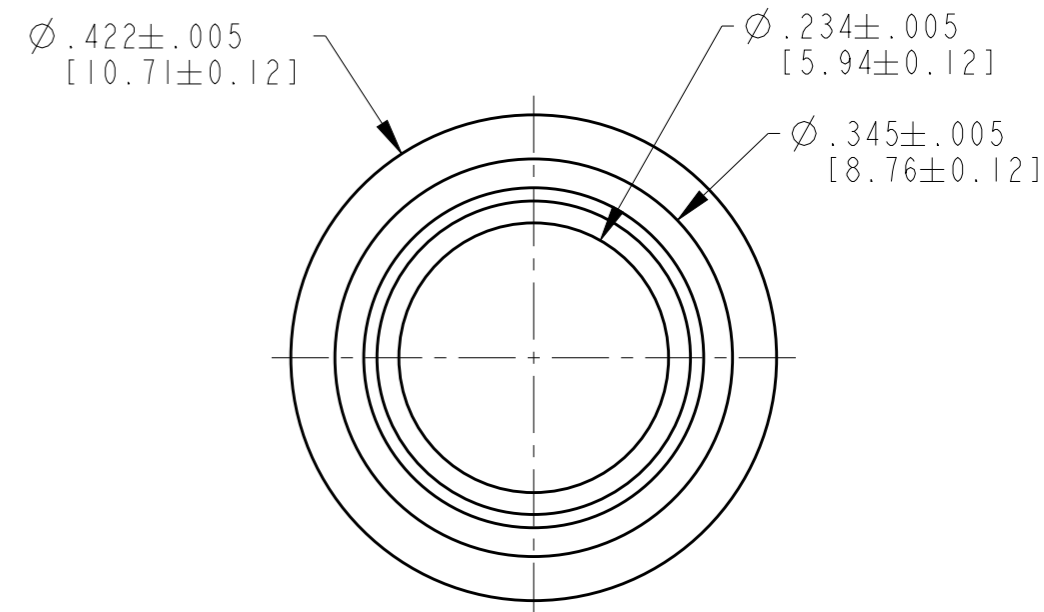
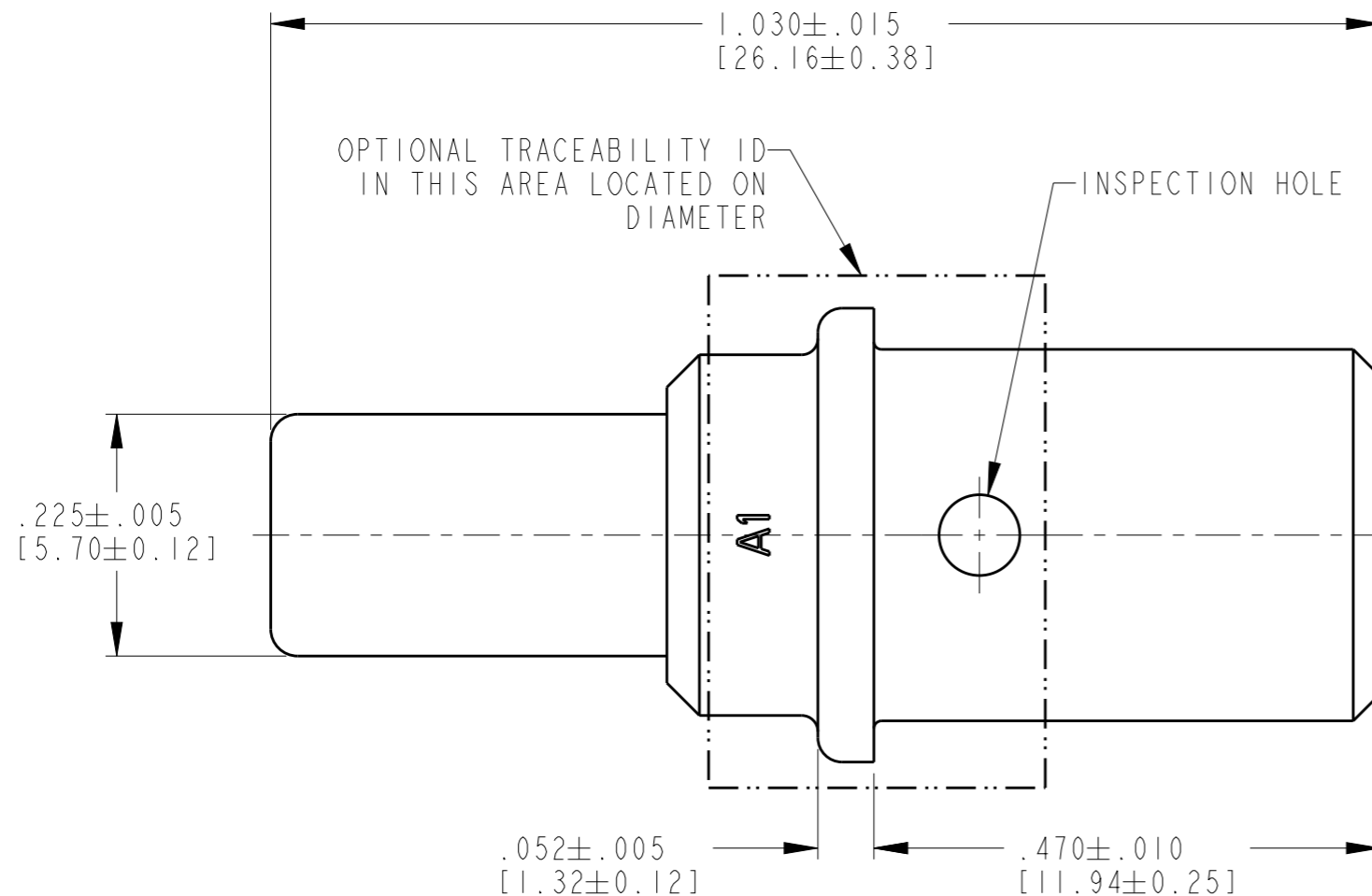


REVISIONS

P	LTR	DESCRIPTION	DATE	DWN	APVD
	A1	REVISED PER PCN E-17-016249	03NOV2017	JA	DM
	B	REVISED PER PCN E-18-012207	31JUL2018	JA	DM
	BI	REVISED PER PCN E-19-018080	19NOV2019	MK	DM



TE INTERNAL PN	DEUTSCH PN	PLATING
0460-204-0490	0460-204-04141	NICKEL
0460-204-0431	0460-204-0431	GOLD

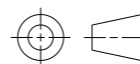
(BI) 2. SEE APPLICATION SPECIFICATION 114-151004 FOR CRIMP TOOLS AND WIRE RANGE.

(BI) 1. DELETED

NOTES: UNLESS OTHERWISE SPECIFIED

THIS DRAWING IS A CONTROLLED DOCUMENT.

DIMENSIONS: INCHES [mm]



TOLERANCES UNLESS OTHERWISE SPECIFIED:

0 PLC	±
1 PLC	±
2 PLC	±
3 PLC	±
4 PLC	±
ANGLES	±

MATERIAL

FINISH

DWN D. MEYER 29NOV2000

CHK B. BYFORD 18DEC2000

APVD R. REED 19DEC2000

PRODUCT SPEC

108-151004

APPLICATION SPEC

114-151004

WEIGHT

8.33g

CUSTOMER DRAWING

SCALE 6:1

SHEET 1 OF 1

REV BI

STE TE Connectivity

NAME CONTACT PIN SIZE 4

SIZE A3 CAGE CODE 4AFU8 DRAWING NO. C-0460-204-04XX RESTRICTED TO