

MATERIALS AND FINISHES

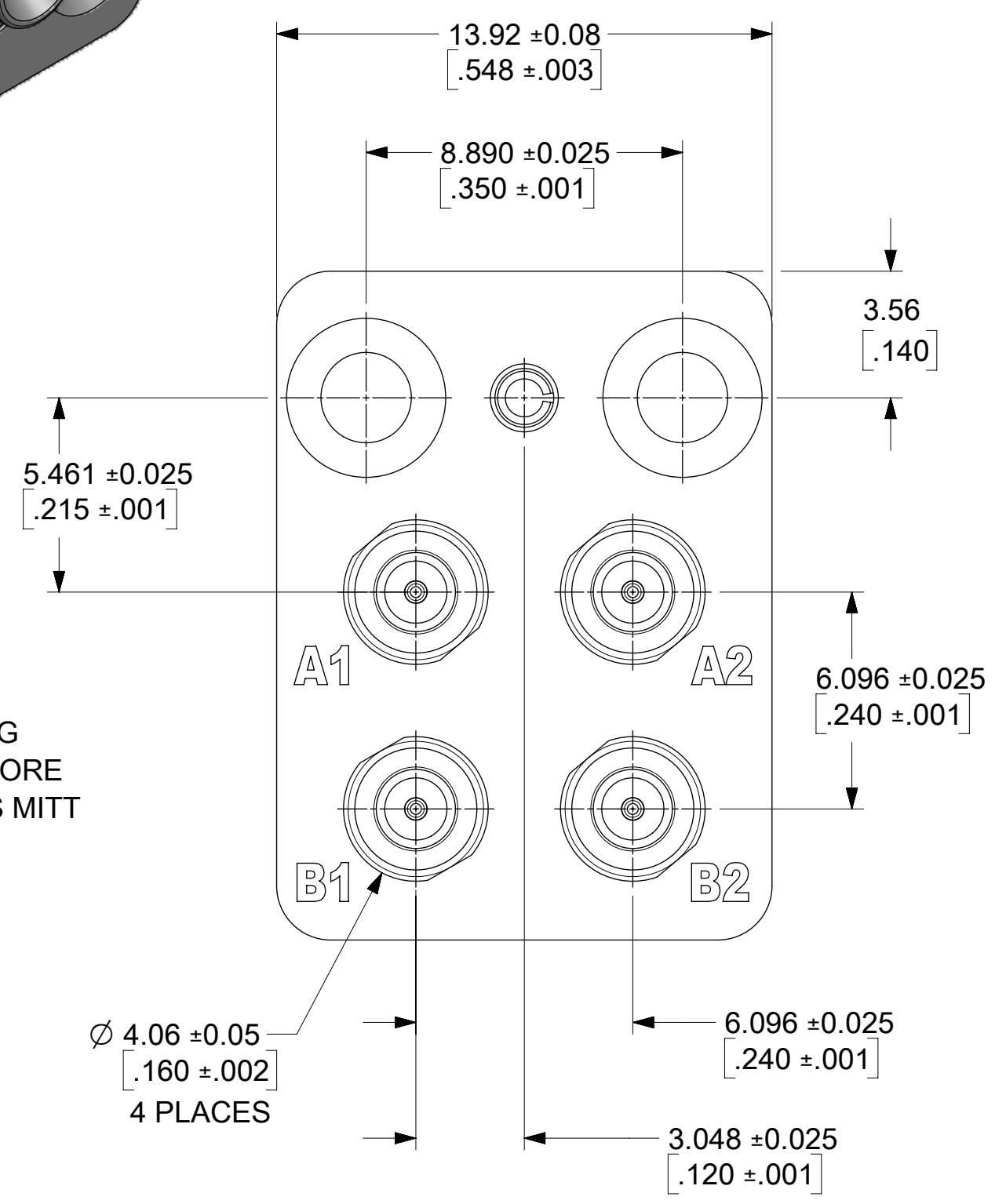
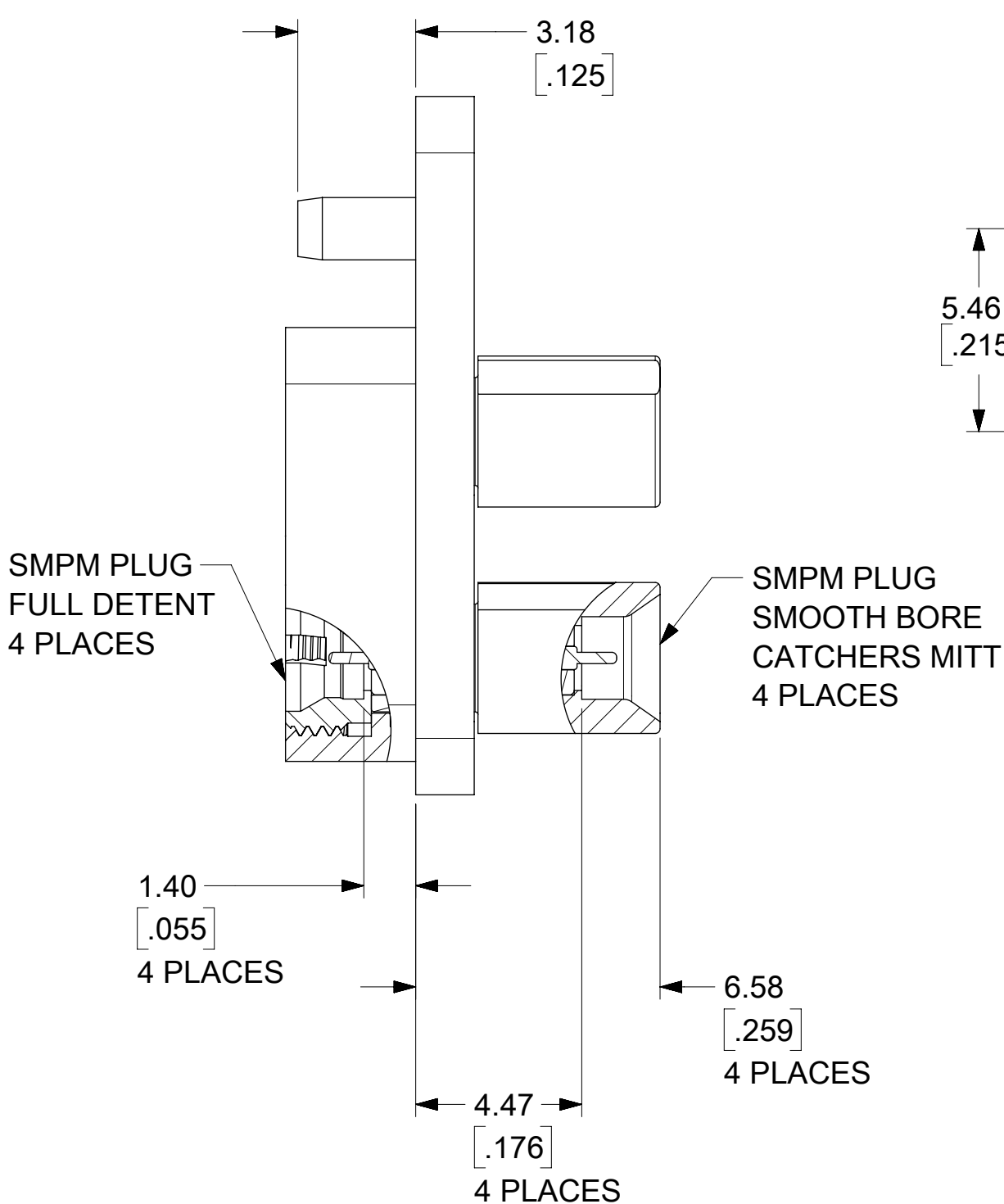
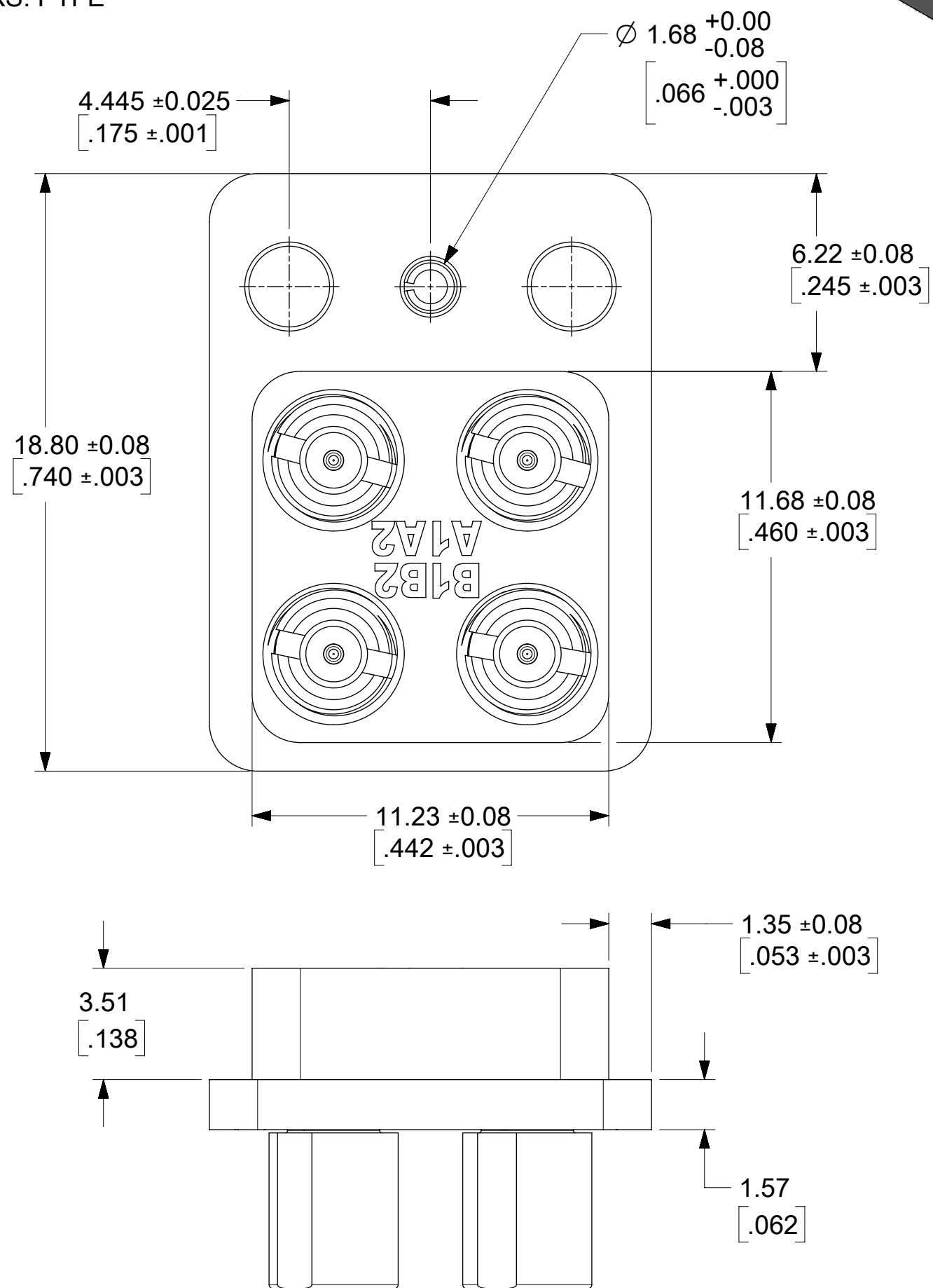
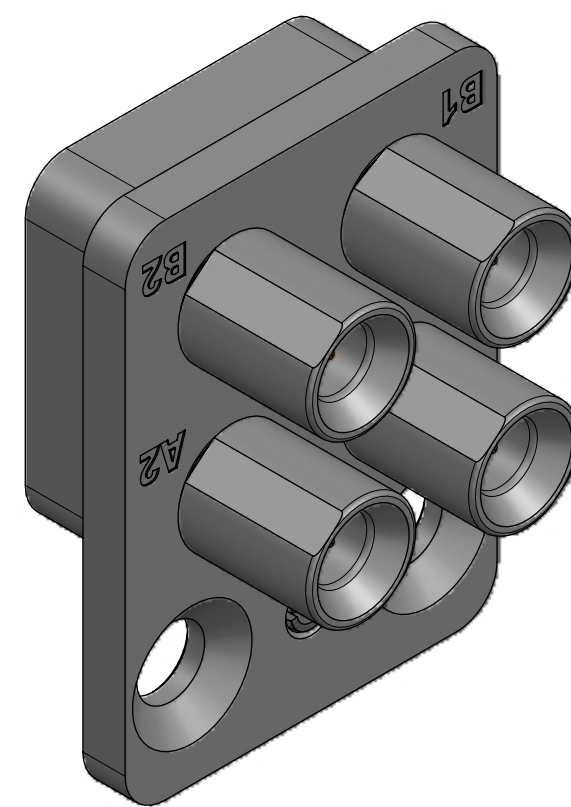
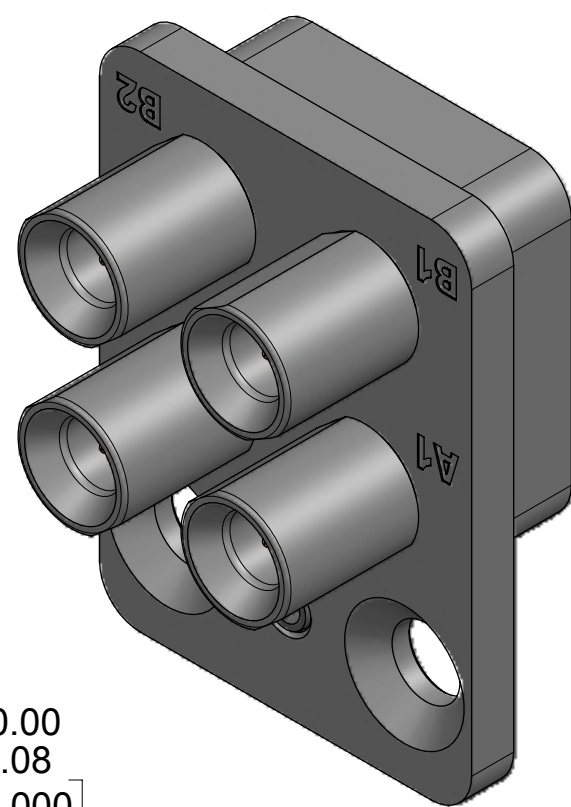
HOUSING, SMP DETENT SHROUD: STAINLESS STEEL
PASSIVATED

ALIGNMENT PINS: STAINLESS STEEL
PASSIVATED

BODY SMPM: STAINLESS STEEL
PLATED: GOLD (50µ-in MIN) OVER NICKEL (50µ-in MIN)

CONTACT: BERYLLIUM COPPER
PLATED: GOLD(50µ-in MIN) OVER NICKEL (50µ -In MIN)

INSULATORS: PTFE



PART # 733581130
SEE PS-89675-470 FOR PCB LAYOUT AND PLACEMENT

ANSI/VITA 67.1	NATIONAL STANDARD
PS-89675-470	PRODUCT SPECIFICATION
SPECIFICATION	DESCRIPTION

FUNCTIONAL SYMBOLS	THIS DRAWING CONTAINS INFORMATION THAT IS PROPRIETARY TO MOLEX ELECTRONIC TECHNOLOGIES, LLC AND SHOULD NOT BE USED WITHOUT WRITTEN PERMISSION		CURRENT REV DESC:	
	DIMENSION UNITS	SCALE		
$\frac{F}{A} = 0$	MM/IN	NTS		
$\frac{F}{C} = 0$	GENERAL TOLERANCES (UNLESS SPECIFIED)			
$\frac{F}{P} = 0$				
DIVISIONAL SYMBOLS	4 PLACES	±	±	
	3 PLACES	±	±	
	2 PLACES	±	±	
	1 PLACE	±	±	
	0 PLACES	±	±	
	ANGULAR TOL	± 2.0 °		
DRAFT WHERE APPLICABLE MUST REMAIN WITHIN DIMENSIONS		THIRD ANGLE PROJECTION	DRAWING	SHEET NUMBER
			C-SIZE	73358
		EC NO: 668152	2021/04/28	
		DRWN: BSHAH	2021/06/29	
		CHK'D: SSSHAH	2021/06/29	
		APPR: KTAGAN	2021/06/29	
		INITIAL REVISION:		
		DRWN: AROBERTSON	2013/08/19	
		APPR: JWIENER	2013/10/09	
DOCUMENT STATUS		DOC TYPE	DOC PART	REVISION
P1	RELEASE DATE	SD-73358-113	PSD	001 B1
2021/06/29	14:37:22	SEE TABLE		
SHEET NUMBER		1 OF 1		