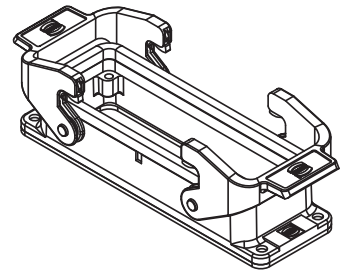
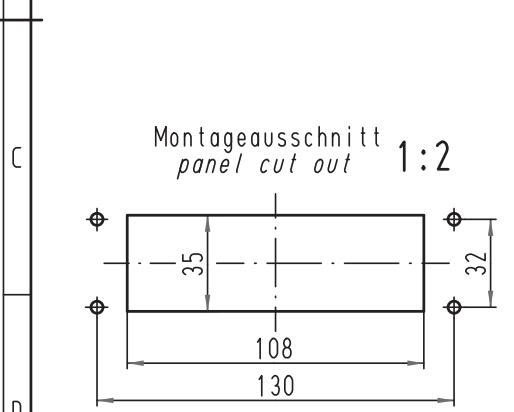
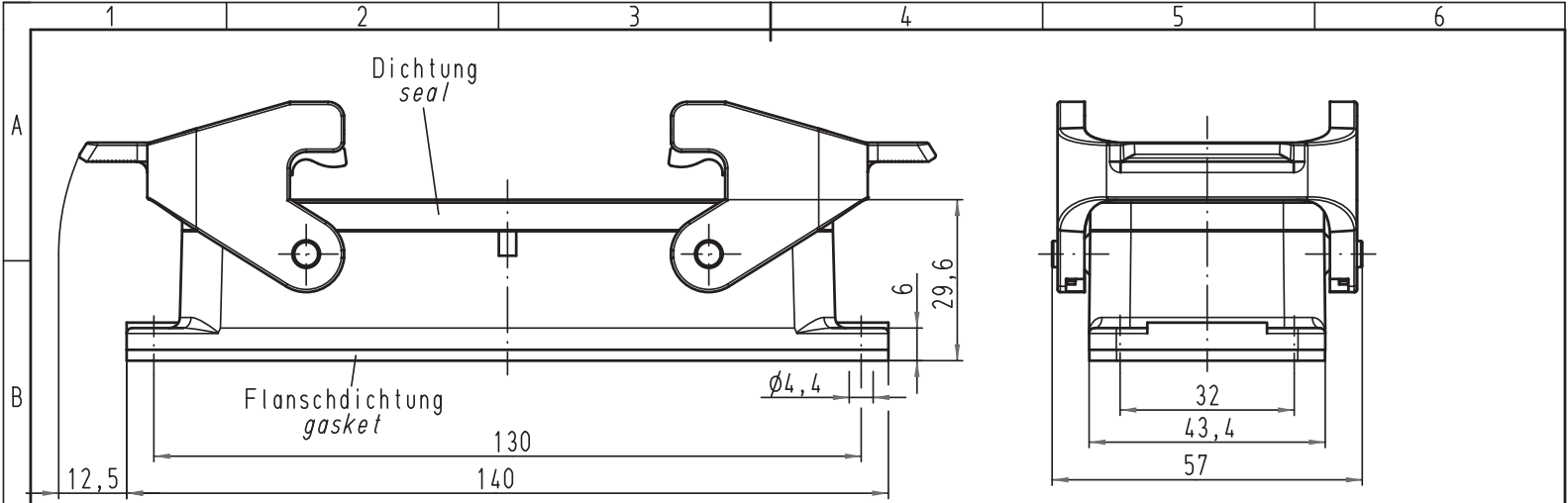


Alle Rechte vorbehalten/ All rights reserved



All Dimensions in mm Original Size DIN A 4		Techn. Character.			Nicht tolerierte Maß/Free size tolerances										
		<table border="1"> <tr> <td>Detail.</td> <td>Dat.</td> <td>Name</td> <td rowspan="3"> Maßstab/Scale 1:1 </td> </tr> <tr> <td>Insp.</td> <td></td> <td>Be</td> </tr> <tr> <td>Stand.</td> <td></td> <td></td> </tr> </table>	Detail.	Dat.	Name	Maßstab/Scale 1:1	Insp.		Be	Stand.			Han 24B-agg-QB Anbaugeschäuse <i>housing bulkhead mounting</i>		
Detail.	Dat.	Name	Maßstab/Scale 1:1												
Insp.		Be													
Stand.															
<table border="1"> <tr> <td>A</td> <td></td> <td></td> </tr> <tr> <td>Mod.</td> <td>Dat.</td> <td>Name</td> </tr> </table>	A			Mod.	Dat.	Name	HARTING Electric GmbH & Co. KG D-32339 Espelkamp		TB 09 30 024 0322 Sub.	Blatt/page /					
A															
Mod.	Dat.	Name													