

# PART No. MATRIX

**E 6 6 E 0 6 0 2 1 M X X X X**

E=ETHERNET/  
Ethernet

HEADS:  
6 = RJ45

WIRING TYPE:  
E=8 Pole (STRAIGHT WIRED)

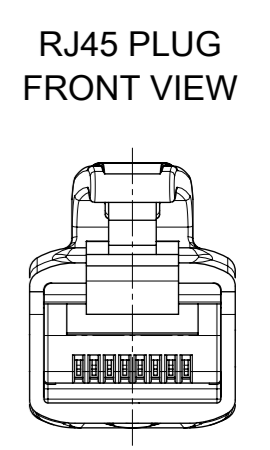
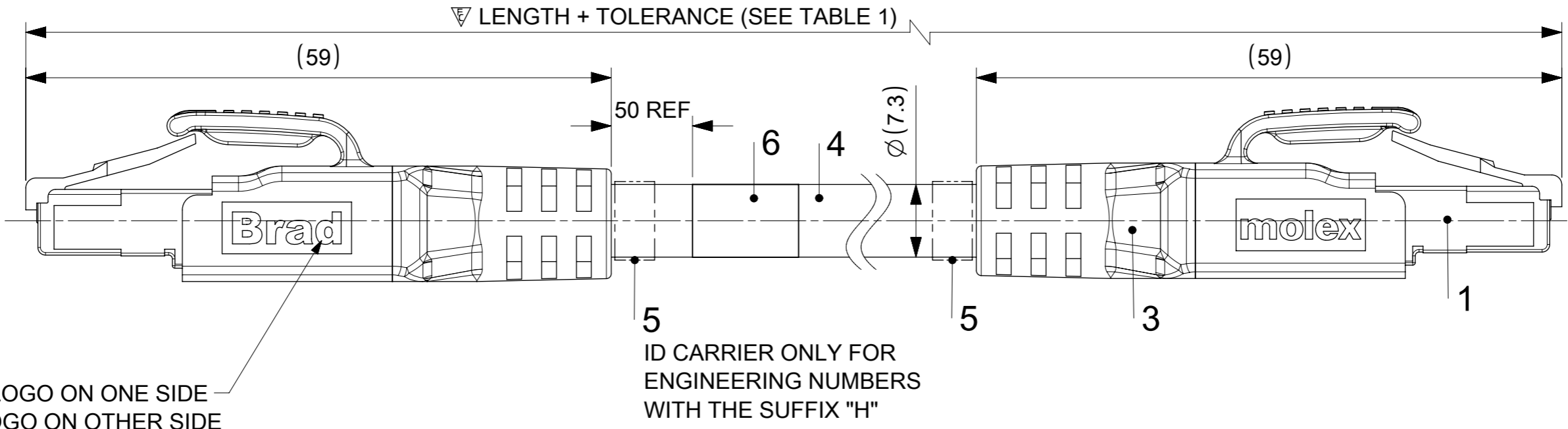
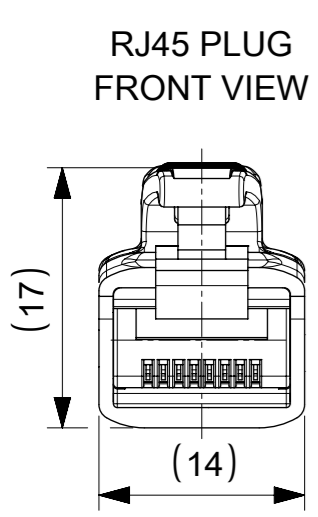
HEADS STYLE:  
060 = MALE STR / MALE STR

CABLE TYPE:  
CABLE 21

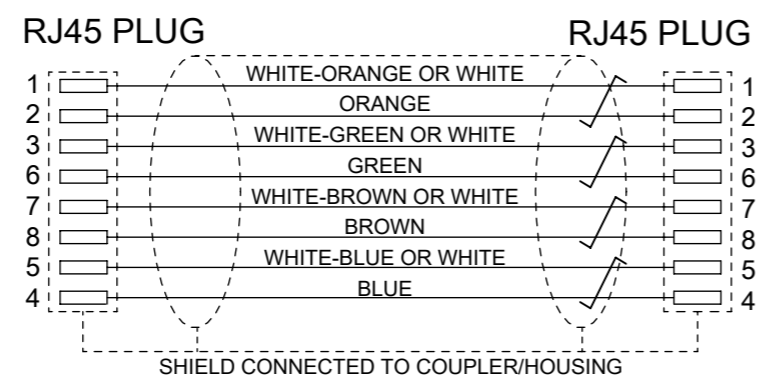
UNITS:  
M= METER  
T= 10xMETER

LENGTH EXAMPLES:  
005=0.5 m  
010=1 m  
150=15 m  
T100=100 m

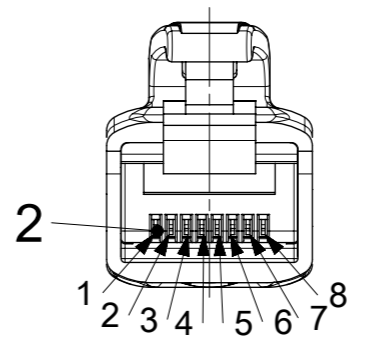
H= 2 PCS. OF I/D Carrier



## WIRING DIAGRAM

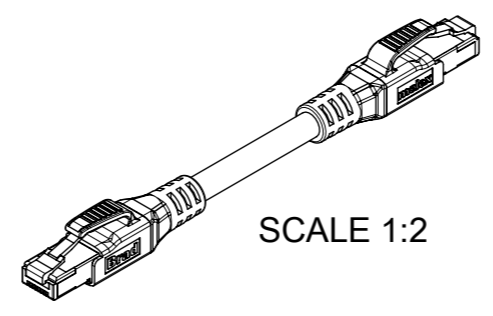


## RJ45 PLUG FRONT VIEW



## BILL OF MATERIAL

| ITEM | QTY           | DESCRIPTION                | MATERIAL        | FINISH/COLOR         |
|------|---------------|----------------------------|-----------------|----------------------|
| 1    | 2             | PLUG RJ45 PLUG             | -               | -                    |
| 2    | 16            | CONTACT RJ45               | PHOSPHOR BRONZE | SELECTIVE Au PLATING |
| 3    | -             | OVERMOLD                   | TPU             | BLACK                |
| 4    | 1             | CABLE 4X(2X AWG26/7) CAT 7 | TPE             | GREEN                |
| 5    | SEE PN MATRIX | ID CARRIER                 | PVC             | TRANSPARENT          |
| 6    | 1             | LABEL 2.0X1.75             | VINYL           | YELLOW               |



| FUNCTIONAL SYMBOLS  | THIS DRAWING CONTAINS INFORMATION THAT IS PROPRIETARY TO MOLEX ELECTRONIC TECHNOLOGIES, LLC AND SHOULD NOT BE USED WITHOUT WRITTEN PERMISSION   | CURRENT REV DESC: NOTE CHANGED                       |                        |                 |                |                 |          |              |          |                                       |   |                         |             |   |        |  |                 |          |            |          |            |       |            |        |         |       |            |       |         |       |            |                          |  |
|---|---|--|------------------------|-----------------|----------------|-----------------|----------|--------------|----------|---------------------------------------|---|-------------------------|-------------|---|--------|--|-----------------|----------|------------|----------|------------|-------|------------|--------|---------|-------|------------|-------|---------|-------|------------|--------------------------|--|
|   | <table border="1"> <tr> <th>DIMENSION UNITS</th> <th>SCALE</th> </tr> <tr> <td>mm</td> <td>2:1</td> </tr> </table>  | DIMENSION UNITS                                      | SCALE                  |                 |                |                 |          | mm           | 2:1      | GENERAL TOLERANCES (UNLESS SPECIFIED) |   | RJ45 CAT6A ST/ST TPE XM |             |   |        |  |                 |          |            |          |            |       |            |        |         |       |            |       |         |       |            |                          |  |
| DIMENSION UNITS   | SCALE   |  |                        |                 |                |                 |          |              |          |                                       |   |                         |             |   |        |  |                 |          |            |          |            |       |            |        |         |       |            |       |         |       |            |                          |  |
| mm  | 2:1   |  |                        |                 |                |                 |          |              |          |                                       |   |                         |             |   |        |  |                 |          |            |          |            |       |            |        |         |       |            |       |         |       |            |                          |  |
| <table border="1"> <tr> <td>4 PLACES</td> <td>±</td> </tr> <tr> <td>3 PLACES</td> <td>±</td> </tr> <tr> <td>2 PLACES</td> <td>± 0.05</td> </tr> <tr> <td>1 PLACE</td> <td>± 0.3</td> </tr> <tr> <td>0 PLACES</td> <td>± 0.5</td> </tr> </table> | 4 PLACES  | ±  | 3 PLACES               | ±               | 2 PLACES       | ± 0.05          | 1 PLACE  | ± 0.3        | 0 PLACES | ± 0.5                                 | <table border="1"> <tr> <td>ANGULAR TOL</td> <td>± 1.0°</td> </tr> </table> | ANGULAR TOL             | ± 1.0°      | <table border="1"> <tr> <td>EC NO:</td> <td>692351</td> <td>DATE:</td> <td>2022/01/20</td> </tr> <tr> <td>DRWN:</td> <td>ARPITT</td> <td>DATE:</td> <td>2022/01/25</td> </tr> <tr> <td>CHK'D:</td> <td>RSILLER</td> <td>DATE:</td> <td>2022/01/25</td> </tr> <tr> <td>APPR:</td> <td>RSILLER</td> <td>DATE:</td> <td>2022/01/25</td> </tr> </table> |        | EC NO:   | 692351          | DATE:    | 2022/01/20 | DRWN:    | ARPITT     | DATE: | 2022/01/25 | CHK'D: | RSILLER | DATE: | 2022/01/25 | APPR: | RSILLER | DATE: | 2022/01/25 | PRODUCT CUSTOMER DRAWING |  |
| 4 PLACES  | ±   |  |                        |                 |                |                 |          |              |          |                                       |   |                         |             |   |        |  |                 |          |            |          |            |       |            |        |         |       |            |       |         |       |            |                          |  |
| 3 PLACES  | ±   |  |                        |                 |                |                 |          |              |          |                                       |   |                         |             |   |        |  |                 |          |            |          |            |       |            |        |         |       |            |       |         |       |            |                          |  |
| 2 PLACES  | ± 0.05  |  |                        |                 |                |                 |          |              |          |                                       |   |                         |             |   |        |  |                 |          |            |          |            |       |            |        |         |       |            |       |         |       |            |                          |  |
| 1 PLACE   | ± 0.3   |  |                        |                 |                |                 |          |              |          |                                       |   |                         |             |   |        |  |                 |          |            |          |            |       |            |        |         |       |            |       |         |       |            |                          |  |
| 0 PLACES  | ± 0.5   |  |                        |                 |                |                 |          |              |          |                                       |   |                         |             |   |        |  |                 |          |            |          |            |       |            |        |         |       |            |       |         |       |            |                          |  |
| ANGULAR TOL   | ± 1.0°  |  |                        |                 |                |                 |          |              |          |                                       |   |                         |             |   |        |  |                 |          |            |          |            |       |            |        |         |       |            |       |         |       |            |                          |  |
| EC NO:  | 692351  | DATE:  | 2022/01/20             |                 |                |                 |          |              |          |                                       |   |                         |             |   |        |  |                 |          |            |          |            |       |            |        |         |       |            |       |         |       |            |                          |  |
| DRWN:   | ARPITT  | DATE:  | 2022/01/25             |                 |                |                 |          |              |          |                                       |   |                         |             |   |        |  |                 |          |            |          |            |       |            |        |         |       |            |       |         |       |            |                          |  |
| CHK'D:  | RSILLER   | DATE:  | 2022/01/25             |                 |                |                 |          |              |          |                                       |   |                         |             |   |        |  |                 |          |            |          |            |       |            |        |         |       |            |       |         |       |            |                          |  |
| APPR:   | RSILLER   | DATE:  | 2022/01/25             |                 |                |                 |          |              |          |                                       |   |                         |             |   |        |  |                 |          |            |          |            |       |            |        |         |       |            |       |         |       |            |                          |  |
| DIVISIONAL SYMBOLS  | <table border="1"> <tr> <td>DRAFT WHERE APPLICABLE MUST REMAIN WITHIN DIMENSIONS</td> <td>THIRD ANGLE PROJECTION</td> <td>DRAWING</td> <td>SERIES</td> <td>MATERIAL NUMBER</td> <td>CUSTOMER</td> <td>SHEET NUMBER</td> </tr> <tr> <td></td> <td></td> <td>A3-SIZE</td> <td>120341</td> <td>SEE TABLE 1</td> <td>GENERAL MARKET</td> <td>1 OF 2</td> </tr> </table> | DRAFT WHERE APPLICABLE MUST REMAIN WITHIN DIMENSIONS | THIRD ANGLE PROJECTION | DRAWING         | SERIES         | MATERIAL NUMBER | CUSTOMER | SHEET NUMBER |          |                                       | A3-SIZE   | 120341                  | SEE TABLE 1 | GENERAL MARKET  | 1 OF 2 | <table border="1"> <tr> <td>DOCUMENT NUMBER</td> <td>DOC TYPE</td> <td>DOC PART</td> <td>REVISION</td> </tr> <tr> <td>1203410911</td> <td>PSD</td> <td>000</td> <td>A3</td> </tr> </table> | DOCUMENT NUMBER | DOC TYPE | DOC PART   | REVISION | 1203410911 | PSD   | 000        | A3     |         |       |            |       |         |       |            |                          |  |
| DRAFT WHERE APPLICABLE MUST REMAIN WITHIN DIMENSIONS  | THIRD ANGLE PROJECTION  | DRAWING  | SERIES                 | MATERIAL NUMBER | CUSTOMER       | SHEET NUMBER    |          |              |          |                                       |   |                         |             |   |        |  |                 |          |            |          |            |       |            |        |         |       |            |       |         |       |            |                          |  |
|   |   | A3-SIZE  | 120341                 | SEE TABLE 1     | GENERAL MARKET | 1 OF 2          |          |              |          |                                       |   |                         |             |   |        |  |                 |          |            |          |            |       |            |        |         |       |            |       |         |       |            |                          |  |
| DOCUMENT NUMBER   | DOC TYPE  | DOC PART   | REVISION               |                 |                |                 |          |              |          |                                       |   |                         |             |   |        |  |                 |          |            |          |            |       |            |        |         |       |            |       |         |       |            |                          |  |
| 1203410911  | PSD   | 000  | A3                     |                 |                |                 |          |              |          |                                       |   |                         |             |   |        |  |                 |          |            |          |            |       |            |        |         |       |            |       |         |       |            |                          |  |

TABLE 1

| MOLEX P/N       | ENGINEERING NO. | DESCRIPTION                       | LENGTH (mm) |
|-----------------|-----------------|-----------------------------------|-------------|
| 1203410924      | E66E06021M002   | RJ45 CAT6A ST/ST TPE GREEN 0.2M   | 200         |
| 1203410925      | E66E06021M005   | RJ45 CAT6A ST/ST TPE GREEN 0.5M   | 500         |
| 1203410911      | E66E06021M010   | RJ45 CAT6A ST/ST TPE GREEN 1M     | 1000        |
| 1203410926      | E66E06021M020   | RJ45 CAT6A ST/ST TPE GREEN 2M     | 2000        |
| 1203410927      | E66E06021M030   | RJ45 CAT6A ST/ST TPE GREEN 3M     | 3000        |
| 1203410928      | E66E06021M040   | RJ45 CAT6A ST/ST TPE GREEN 4M     | 4000        |
| 1203410929      | E66E06021M050   | RJ45 CAT6A ST/ST TPE GREEN 5M     | 5000        |
| 1203410930      | E66E06021M100   | RJ45 CAT6A ST/ST TPE GREEN 10M    | 10000       |
| 1203410931      | E66E06021M150   | RJ45 CAT6A ST/ST TPE GREEN 15M    | 15000       |
| 1203410932      | E66E06021M200   | RJ45 CAT6A ST/ST TPE GREEN 20M    | 20000       |
| 1203410933      | E66E06021M300   | RJ45 CAT6A ST/ST TPE GREEN 30M    | 30000       |
| 1203410912      | E66E06021M360   | RJ45 CAT6A ST/ST TPE GREEN 36M    | 36000       |
| WITH ID CARRIER |                 |                                   |             |
| 1203410995      | E66E06021M010H  | RJ45 CAT6A ST/ST TPE GREEN 1M ID  | 1000        |
| 1203410996      | E66E06021M020H  | RJ45 CAT6A ST/ST TPE GREEN 2M ID  | 2000        |
| 1203411006      | E66E06021M030H  | RJ45 CAT6A ST/ST TPE GREEN 3M ID  | 3000        |
| 1203411014      | E66E06021M050H  | RJ45 CAT6A ST/ST TPE GREEN 5M ID  | 5000        |
| 1203410997      | E66E06021M100H  | RJ45 CAT6A ST/ST TPE GREEN 10M ID | 10000       |
| 1203410998      | E66E06021M250H  | RJ45 CAT6A ST/ST TPE GREEN 25M ID | 25000       |
| 1203411051      | E66E06021M040H  | RJ45 CAT6A ST/ST TPE GREEN 4M ID  | 4000        |
| 1203411052      | E66E06021M060H  | RJ45 CAT6A ST/ST TPE GREEN 6M ID  | 6000        |
| 1203411053      | E66E06021M070H  | RJ45 CAT6A ST/ST TPE GREEN 7M ID  | 7000        |
| 1203411054      | E66E06021M080H  | RJ45 CAT6A ST/ST TPE GREEN 8M ID  | 8000        |
| 1203411055      | E66E06021M120H  | RJ45 CAT6A ST/ST TPE GREEN 12M ID | 12000       |
| 1203411056      | E66E06021M150H  | RJ45 CAT6A ST/ST TPE GREEN 15M ID | 15000       |
| 1203411057      | E66E06021M200H  | RJ45 CAT6A ST/ST TPE GREEN 20M ID | 20000       |
| 1203411058      | E66E06021M300H  | RJ45 CAT6A ST/ST TPE GREEN 30M ID | 30000       |
| 1203411059      | E66E06021M350H  | RJ45 CAT6A ST/ST TPE GREEN 35M ID | 35000       |
| 1203411060      | E66E06021M400H  | RJ45 CAT6A ST/ST TPE GREEN 40M ID | 40000       |
| 1203411061      | E66E06021M450H  | RJ45 CAT6A ST/ST TPE GREEN 45M ID | 45000       |
| 1203411062      | E66E06021M500H  | RJ45 CAT6A ST/ST TPE GREEN 50M ID | 50000       |
| 1203411063      | E66E06021M550H  | RJ45 CAT6A ST/ST TPE GREEN 55M ID | 55000       |
| 1203411064      | E66E06021M600H  | RJ45 CAT6A ST/ST TPE GREEN 60M ID | 60000       |
| 1203411065      | E66E06021M650H  | RJ45 CAT6A ST/ST TPE GREEN 65M ID | 65000       |
| 1203411066      | E66E06021M700H  | RJ45 CAT6A ST/ST TPE GREEN 70M ID | 70000       |
| 1203411067      | E66E06021M750H  | RJ45 CAT6A ST/ST TPE GREEN 75M ID | 75000       |
| 1203411068      | E66E06021M800H  | RJ45 CAT6A ST/ST TPE GREEN 80M ID | 80000       |
| 1203411069      | E66E06021M850H  | RJ45 CAT6A ST/ST TPE GREEN 85M ID | 85000       |

NOTES:

VOLTAGE RATING: 30 V A.C. OR 42 V D.C.

CURRENT RATING: 0.5 A

TEMPERATURE RATING:

STATIC: -40 °C TO 80 °C

DYNAMIC: -25 °C TO 80 °C

IP RATING: IP 20


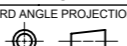
TRANSMISSION CHARACTERISTICS ACCORDING TO ISO/IEC 11801 CLASS E<sub>A</sub> CHANNEL,

WITH INSERTION LOSS BEING IGNORED FOR CABLE LENGTHS <1 m OR >65 m

PACKAGING: CORDSETS ARE PACKED IN A POLYBAG

CABLE LENGTH TOLERANCES

| LENGTH       | TOLERANCE  |
|--------------|------------|
| 0 m - 1 m    | +40 mm     |
| >1 m - 5 m   | +60 mm     |
| >5 m - 10 m  | +80 mm     |
| >10 m - 20 m | +140 mm    |
| >20 m - 30 m | +160 mm    |
| >30 m        | +1% length |

|  |   |   |  |               |
|--|---|---|--|---------------|
| FUNCTIONAL SYMBOLS<br>√A = 0<br>√E = 0<br>√P = 0     | THIS DRAWING CONTAINS INFORMATION THAT IS PROPRIETARY TO MOLEX ELECTRONIC TECHNOLOGIES, LLC AND SHOULD NOT BE USED WITHOUT WRITTEN PERMISSION |   | CURRENT REV DESC: NOTE CHANGED   |               |
|  | DIMENSION UNITS<br><b>mm</b>  | SCALE<br><b>1:1</b>   | <br>RJ45 CAT6A ST/ST TPE XM |               |
| GENERAL TOLERANCES (UNLESS SPECIFIED)                |   | EC NO: 692351   |  |               |
| ANGULAR TOL ± 1.0 °                                  |   | DRWN: ARPITT 2022/01/20   |  |               |
| 4 PLACES ±   |   | CHK'D: RSILLER 2022/01/25   |  |               |
| 3 PLACES ±   |   | APPR: RSILLER 2022/01/25  |  |               |
| 2 PLACES ± 0.05                                      |   | INITIAL REVISION:   |  |               |
| 1 PLACE ± 0.3  |   | DRWN: MDHARMANTI 2019/11/25   |  |               |
| 0 PLACES ± 0.5                                       |   | APPR: RSILLER 2021/03/16  |  |               |
| DRAFT WHERE APPLICABLE MUST REMAIN WITHIN DIMENSIONS |   | THIRD ANGLE PROJECTION  | DRAWING  | SERIES        |
|  |   |  | <b>A3-SIZE</b>   | <b>120341</b> |
|  |   | MATERIAL NUMBER   | CUSTOMER   | SHEET NUMBER  |
|  |   | SEE TABLE 1   | GENERAL MARKET   | 2 OF 2        |
|  |   | DOCUMENT NUMBER   | DOC TYPE   | DOC PART      |
|  |   | <b>1203410911</b>   | PSD  | 000           |
|  |   | REVISION  | <b>A3</b>  |               |