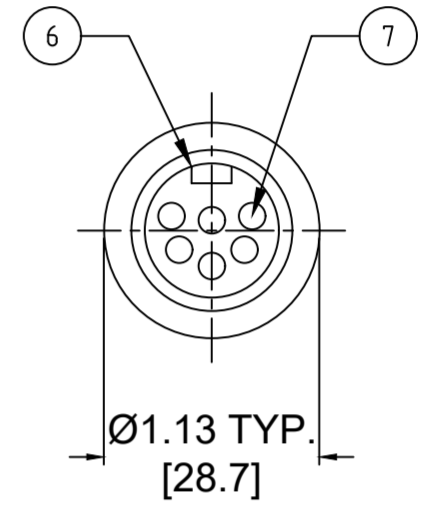
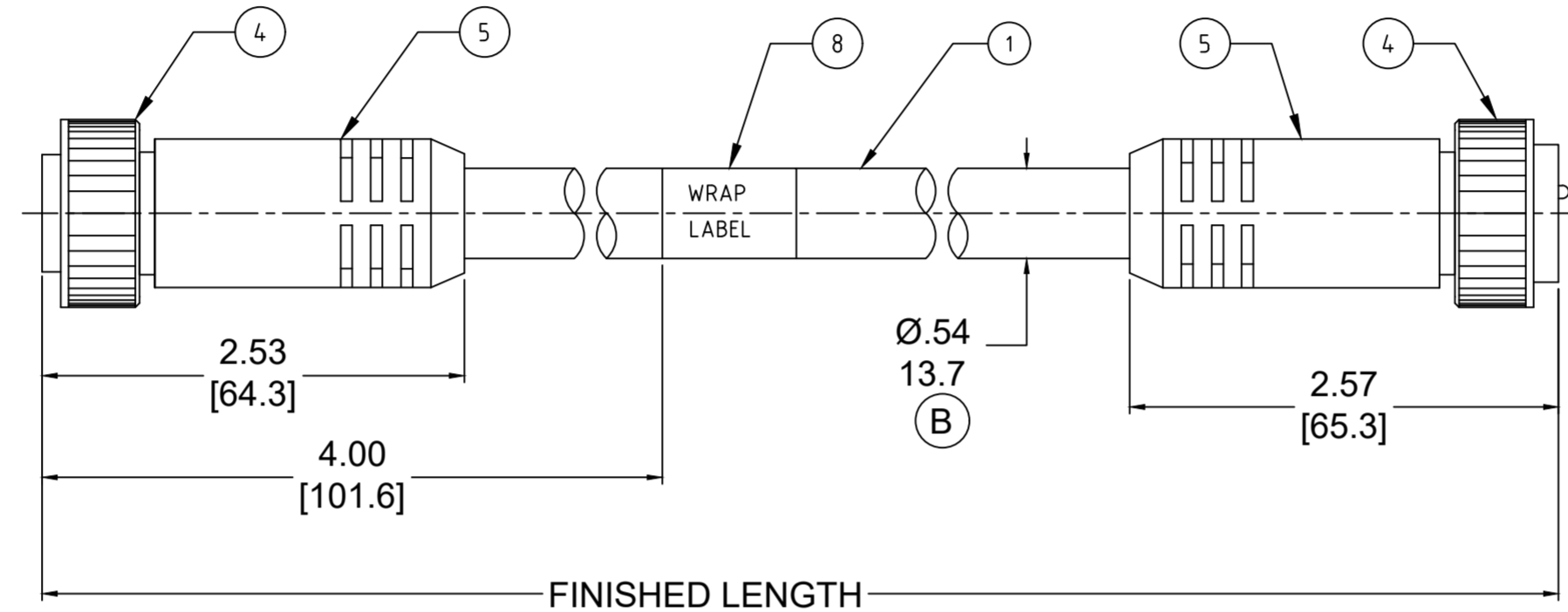
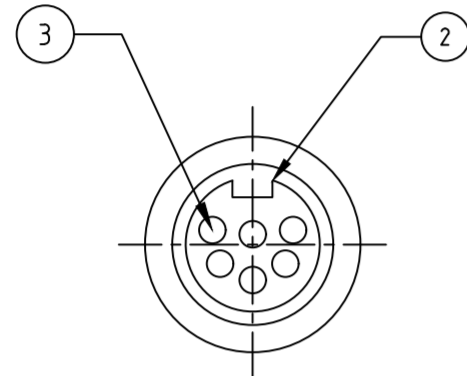


PART NO	ENGINEERING NO.	FINISHED LENGTH
1300110008	226020A01F030	3FT [ 0.9M ]
1300110082	227020A01M300	30M [ 98FT 5 IN ]
1300110158	228020A01M600	60M [ 196FT 10 IN ]



- NOTES:
- MATERIAL: AS NOTED
  - FINISH: AS NOTED
  - ELECTRICAL:
    - 6 POLE: VOLTAGE: 400V PER IEC60664  
600V PER UL2238  
CURRENT: 8A
    - 7 POLE: VOLTAGE: 320V PER IEC60664  
600V PER UL2238  
CURRENT: 8A
    - 8 POLE: VOLTAGE: 320V PER IEC60664  
600V PER UL2238  
CURRENT: 7A
  - TEMP RATING: -20°TO +105°C
  - PROTECTION: IP67 (WHEN MATED)
  - COUPLING THREAD: 1"-16 UN
  - UL RECOGNIZED FILE: E152210  
CSA CERTIFIED FILE: LR6837 (B)
  - ALL DIMENSIONS ARE FOR REFERENCE UNLESS TOLERANCED OR NOTED OTHERWISE

**PART NO. MATRIX**  
**227020A01M010**

POLES (6,7,8)      FINISHED LENGTH:  
 M005= 0.5 METER  
 M010= 1 METER  
 M100= 10 METER

F010= 1 FOOT  
 F100= 10 FEET

**CABLE LENGTH TOLERANCES**

>.3M [1FT]:	+19mm-0 [ +.75in-0]
.3 - .9M [1 - 3FT]:	+44.5mm-0 [+1.75in-0]
.9 - 1.8M [3 - 6FT]:	+55.6mm-0 [+2.19in-0]
1.8 - 3.7M [6 - 12FT]:	+88.9mm-0 [+3.50in-0]
3.7 - 7.3M [12 - 24FT]:	+165.1mm-0 [+6.50in-0]
7.3-14.6M [24 - 48FT]:	+317.5mm-0 [+12.50in-0]
14.6 - 30.5M [48-100FT]:	+622.3mm-0 [+24.50in-0]
OVER 30M [100FT]	+2% OF FINISHED LENGTH

8	WRAP LABEL	VINYL	BLACK/YELLOW
7	CONTACT PIN	COPPER ALLOY	GOLD PLATED
6	MALE INSERT	TPE	YELLOW
5	OVERMOLD	TPE	YELLOW
4	COUPLING	ZINC DIE-CAST	BLACK
3	CONTACT SOCKET	COPPER ALLOY	GOLD PLATED
2	FEMALE INSERT	TPE	YELLOW
1	CABLE, 16AWG, TPE,STOOW	PVC JACKET	YELLOW
ITEM	DESCRIPTION	MATERIAL	FINISH

FUNCTIONAL SYMBOLS				THIS DRAWING CONTAINS INFORMATION THAT IS PROPRIETARY TO MOLEX ELECTRONIC TECHNOLOGIES, LLC AND SHOULD NOT BE USED WITHOUT WRITTEN PERMISSION			
DIMENSION UNITS		SCALE		CURRENT REV DESC: ITEM# 2, 5 & 6 WERE PVC. ADDED "CSA" IN NOTES. ADDED CABLE DIA. MODIFIED MATERIAL TABLE			
INCH/MM		NTS		<p><b>molex</b></p> <p>MINI-CHANGE CORDSET, B-SIZE, 6-8 POLE, MALE-FEMALE, STRAIGHT, SINGLE KEY, 16 AWG</p> <p>PRODUCT CUSTOMER DRAWING</p> <p>DOCUMENT NUMBER: <b>SD-130011-006</b>      DOC TYPE/DOC PART/REVISION: PSD 001 B</p>			
GENERAL TOLERANCES (UNLESS SPECIFIED)							
mm		INCH					
4 PLACES	±----	±----	±----				
3 PLACES	±----	±----	±----				
DIVISIONAL SYMBOLS		DIVISIONAL SYMBOLS		<p>EC NO: 643513</p> <p>DRWN: ABENJAMINLW      2020/07/29</p> <p>CHK'D: RSTONE      2020/08/28</p> <p>APPR: BWOODMAN      2020/09/15</p> <p>INITIAL REVISION:</p> <p>DRWN: RSTONE      2016/11/30</p> <p>APPR: BWOODMAN      2016/12/20</p>			
ANGULAR TOL ± 0.5 °				THIRD ANGLE PROJECTION			
DRAFT WHERE APPLICABLE MUST REMAIN WITHIN DIMENSIONS				DRAWING		SERIES	
		C-SIZE		139990		MATERIAL NUMBER	
				SEE CHART		CUSTOMER	
				GENERAL MARKET		SHEET NUMBER	
						1 OF 1	