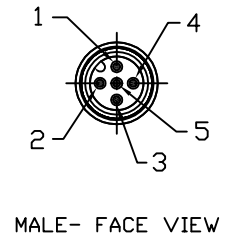
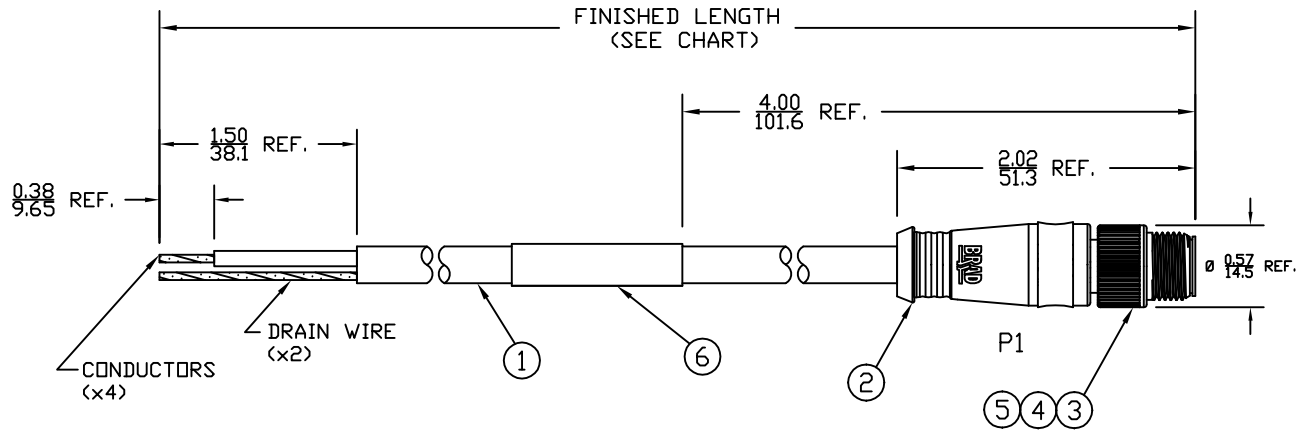
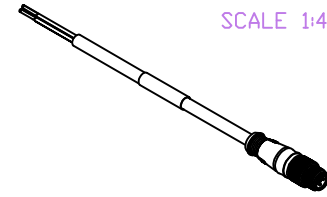


PART NUMBER	ENGINEERING NO.	LENGTH ± TOLERANCE
1300270103	DNDF02A-M010	3' 3" +2.19"/-0" [1M +55.6/-0 mm]
1300270159	DNDF02A-M030	9' 10" +3.50"/-0" [3M +88.9/-0 mm]
1300270106	DNDF02A-M050	16' 5" +6.50"/-0" [5M +165.1/-0 mm]

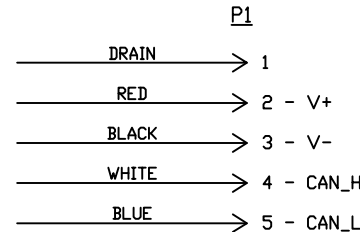
AUX VIEW
SCALE 1:4



NOTES:

- 1) MATERIAL: SEE TABLE
- 2) FINISHES: SEE TABLE
- 3) CABLE: #22/2, #24/2 + DRAIN, DEVICENET THIN HIGH FLEX
EACH PAIR: SHIELDED, TWISTED
OVERALL: SHIELDED, TPE
- 4) ELECTRICAL DATA:
MAX. VOLTAGE: 250V AC/DC
MAX. CURRENT 4A
- 5) ENVIRONMENTAL:
PROTECTION IP67
TEMPERATURE RANGE: -20°C TO 80°C
- 6) WRAP LABEL IS MARKED WITH P/N, DATE CODE,
VOLTAGE & AMPERAGE.
- 7) ASSEMBLY IS RoHS COMPLIANT.

SCHEMATIC



ITEM	QTY.	DESCRIPTION	MATERIAL	FINISH
6	1	LABEL	PLASTIC FILM	BLACK/YELLOW
5	1	INSERT	NYLON	BLACK
4	5	PIN CONTACT	COPPER ALLOY	GOLD PLATED
3	1	M12 COUPLING NUT	ZINC DIE-CAST	BLACK
2	1	OVERMOLD	TPE	GRAY
1	1	DEVICENET CABLE	TPE JACKET	GRAY

SD RELEASE EC NO: WNA2010-0076 8/4/09 DRWN: VOU CHKD: BWOODMAN APPR: JFMURPHY 2009/08/10	QUALITY SYMBOLS ▽=0 ▽=0	GENERAL TOLERANCES (UNLESS SPECIFIED)		DIMENSION STYLE	SCALE	DESIGN UNITS	THIRD ANGLE PROJECTION		
				IN/MM	3:4	INCH			
				mm	INCH	DRAWN BY		DATE	TITLE
				4 PLACES ±----	±----	VOU		2009/07/30	M12 DEVICENET CABLE ASSY 5P MALE STRAIGHT #22/2 24/2 TPE -THIN FLX
		3 PLACES ±----	±0.05	CHECKED BY	DATE	MOLEX INCORPORATED			
		2 PLACES ±----	±0.10	BWOODMAN	2009/07/31	MOLEX INCORPORATED			
		1 PLACE ±----	±0.20	APPROVED BY	DATE	MOLEX INCORPORATED			
		ANGULAR ±1/2°		MATERIAL NO.	DOCUMENT NO.	SHEET NO.			
		DRAFT WHERE APPLICABLE MUST REMAIN WITHIN DIMENSIONS		SEE CHART	SD-130027-004	1 OF 1			
				SIZE A	THIS DRAWING CONTAINS INFORMATION THAT IS PROPRIETARY TO MOLEX INCORPORATED AND SHOULD NOT BE USED WITHOUT WRITTEN PERMISSION				

6

5

4

3

2

1

6

5

4

3

2

1

E

E

D

D

C

C

B

B

A

A