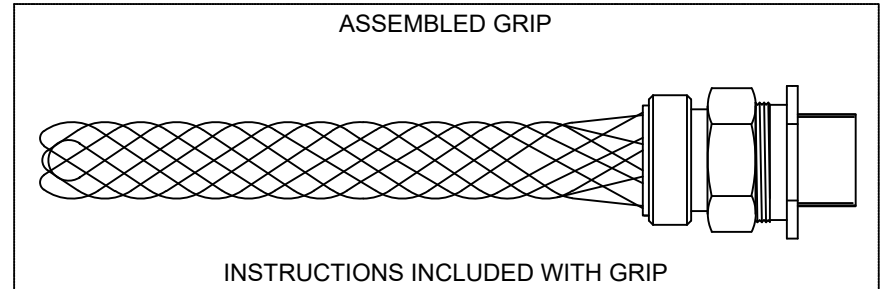
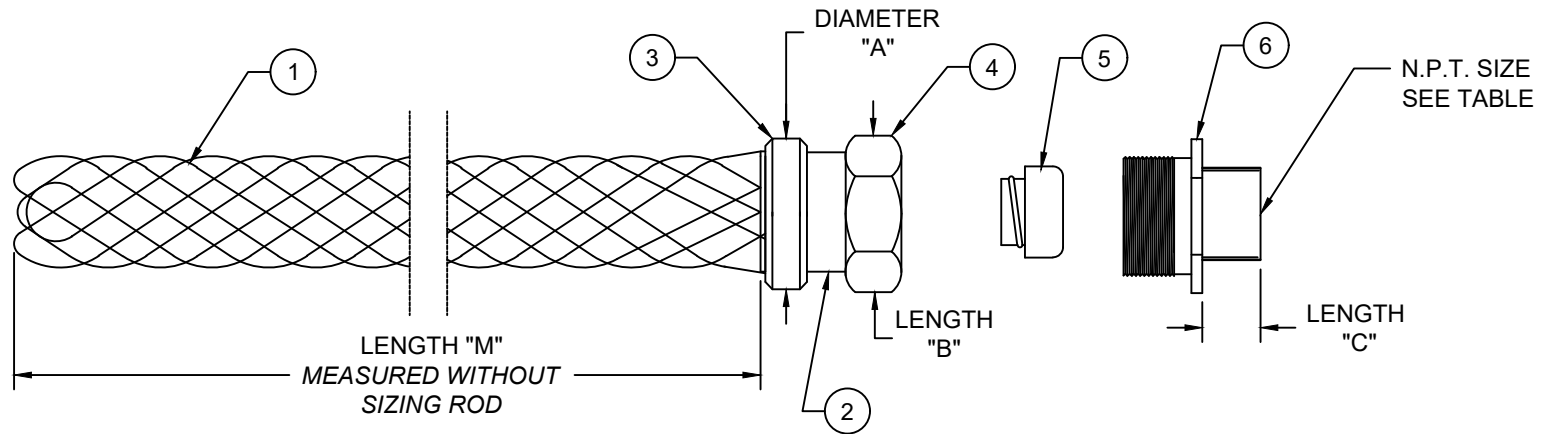


CATALOG NUMBER	MATERIAL NUMBER	CONDUIT SIZE	N.P.T. FITTING SIZE	LENGTH "M"	DIAMETER "A" REF.	LENGTH "B" REF.	LENGTH "C" REF.	PRODUCT SELECTION NUMBER	UL LISTED	CSA APRVD
36441	-----	3/8"	1/2"	3.875±0.500 / 98.43±12.70	1.0 / 25	1.13 / 28.7	0.44 / 11.2	STB038FP	Y	Y
36380	1300960041	1/2"	1/2"	4.625±0.500 / 117.48±12.70	1.2 / 30	1.25 / 31.8	0.44 / 11.2	STB050FP	E	E
36382	1300960043	1"	1"	7.000±0.500 / 177.80±12.70	1.7 / 43	1.81 / 45.9	0.69 / 17.5	STB100FP	S	S



ITEM	DESCRIPTION	MATERIAL
1	WIRE MESH	STAINLESS STEEL
2	INNER RING	ZINC PLATED STEEL
3	OUTER RING	ALUMINUM
4	COMPRESSION NUT	ZINC PLATED STEEL OR MALLEABLE IRON
5	FERRULE	ZINC PLATED STEEL OR ALUMINUM
6	THREADED BODY	ZINC PLATED STEEL OR MALLEABLE IRON

FUNCTIONAL SYMBOLS										THIS DRAWING CONTAINS INFORMATION THAT IS PROPRIETARY TO MOLEX ELECTRONIC TECHNOLOGIES, LLC AND SHOULD NOT BE USED WITHOUT WRITTEN PERMISSION																																		
DIMENSION UNITS					SCALE					CURRENT REV DESC: OBSOLETE PART NUMBER AS PER PCN#510808																																		
INCH/MM					NTS																																							
GENERAL TOLERANCES (UNLESS SPECIFIED)										EC NO: 736640																																		
					mm					INCH					DRWN: SUGEEB 2022/12/21																													
4 PLACES					± ----					± ----					CHK'D: LIKTV 2023/02/14																													
3 PLACES					± ----					± 0.005					APPR: GGA 2023/02/16																													
2 PLACES					± 0.13					± 0.01					INITIAL REVISION:																													
1 PLACE					± 0.25					± 0.02					DRWN: HRUIZ01 2014/09/23																													
0 PLACES					± ----					± ----					APPR: JFMURPHY 2015/04/27																													
ANGULAR TOL ± 0.5 °																																												
DRAFT WHERE APPLICABLE MUST REMAIN WITHIN DIMENSIONS										THIRD ANGLE PROJECTION					DRAWING					SERIES					DOCUMENT NUMBER					DOC TYPE					DOC PART					REVISION				
					A-SIZE					130096					SEE TABLE					GENERAL MARKET					PSD 001 A1																			

DOCUMENT STATUS P1 RELEASE DATE 2023/02/16 05:36:38