

6

5

4

3

2

1

E

E

D

D

C

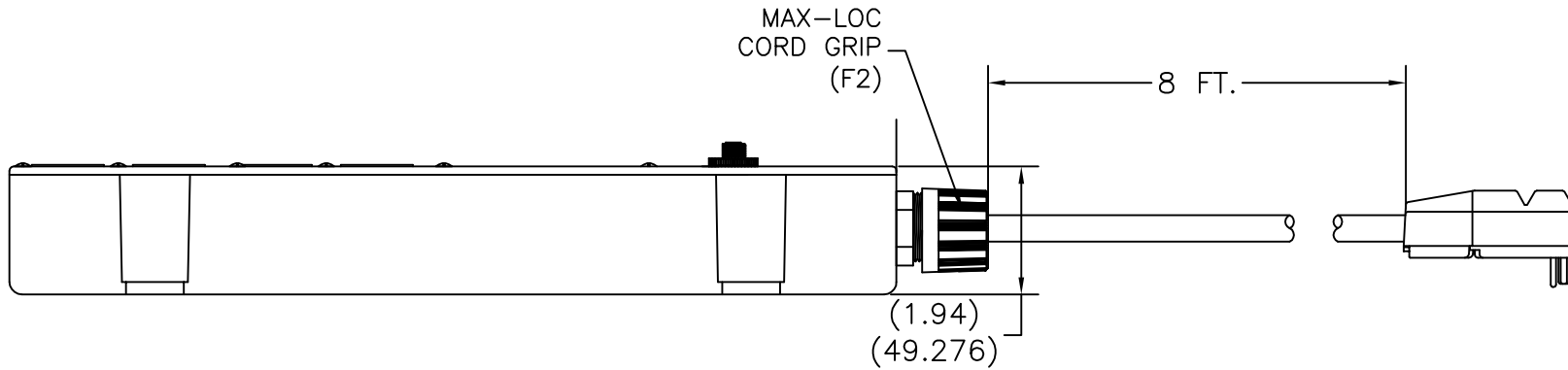
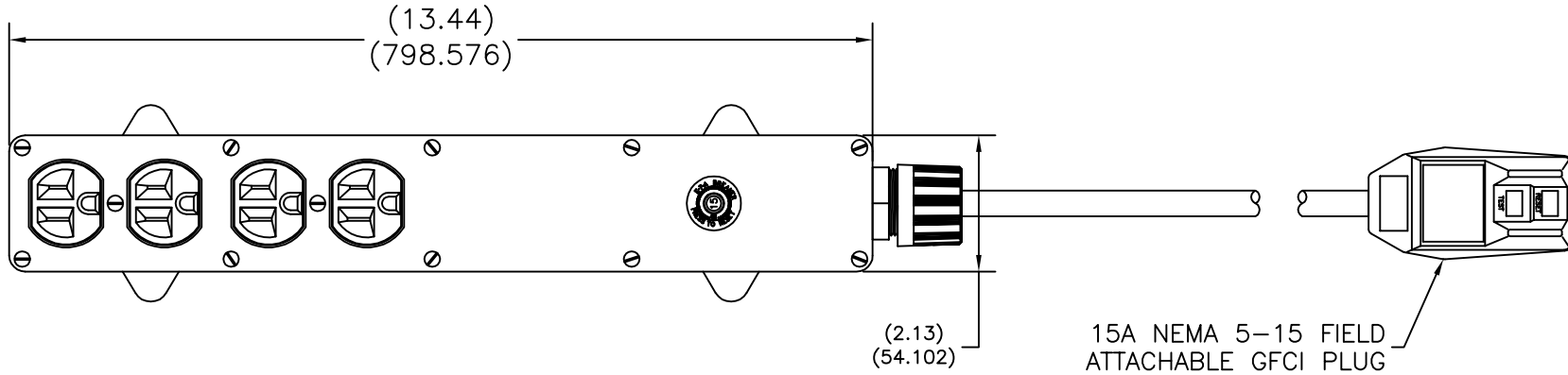
C

B

B

A

A



ENGINEERING NO. 3500PLG	MATERIAL NO. 1301360072
----------------------------	----------------------------

CUSTOMER DRAWING
 EC NO: WNA2008-0219
 DRWN: TVICKERS 2008/04/15
 CHKD: HK 2008/15/04
 APPR: SZAFAR 2008/06/17

QUALITY SYMBOLS
 ▽=0
 ∇=0

GENERAL TOLERANCES (UNLESS SPECIFIED)

	mm	INCH
4 PLACES	±----	±----
3 PLACES	±----	±.005
2 PLACES	±----	±.010
1 PLACE	±----	±.020

ANGULAR ±.5°

DRAFT WHERE APPLICABLE MUST REMAIN WITHIN DIMENSIONS

DIMENSION STYLE IN/MM

DRAWN BY	DATE
TV	2008/15/04
CHECKED BY	DATE
HK	2008/15/04
APPROVED BY	DATE
SZ	2008/15/04
MATERIAL NO.	
1301360072	
SIZE	
A	

SCALE NTS

DESIGN UNITS INCH

THIRD ANGLE PROJECTION

TITLE
 MULTI-TAP 2-15A/125V DUP
 4 OUTLETS-NEMA 5-15
 WITH GFCI PROTECTION

MOLEX INCORPORATED

DOCUMENT NO. SD-130136-001

SHEET NO. 1 OF 1

THIS DRAWING CONTAINS INFORMATION THAT IS PROPRIETARY TO MOLEX INCORPORATED AND SHOULD NOT BE USED WITHOUT WRITTEN PERMISSION

6

5

4

3

2

1