

# Valve connectors - SACC-V-3CON-PG9/A-PFL 12/24 - 1533314

Please be informed that the data shown in this PDF Document is generated from our Online Catalog. Please find the complete data in the user's documentation. Our General Terms of Use for Downloads are valid (<http://phoenixcontact.com/download>)



Valve connectors, Universal, 3-position, Valve connector A, with 1 LED, connected with Freewheeling diode, Screw connection, cable gland Pg9, external cable diameter 6 mm ... 8 mm



## Key Commercial Data

Packing unit	1 pc
GTIN	
GTIN	4046356026000

## Technical data

### Dimensions

External diameter	6 mm ... 8 mm
-------------------	---------------

### Ambient conditions

Ambient temperature (operation)	-25 °C ... 85 °C (valve plug)
Degree of protection	IP65

### General

Note	NOTE: Observe the permissible bending radii when laying conductors, since the degree of protection may be put in jeopardy if the bending forces are too high. Alleviate mechanical loads upstream of the connector, e.g. by using cable ties.
Rated current at 40°C	1 A
Rated voltage	24 V AC
	24 V DC
Number of positions	3
Insulation resistance	> 100 MΩ
Signal type/category	Universal
Status display	1 LED
Protective circuit/component	Damping diode
Overvoltage category	II

## Valve connectors - SACC-V-3CON-PG9/A-PFL 12/24 - 1533314

### Technical data

#### General

Degree of pollution	3
Connection method	Screw connection
Conductor cross section	0.34 mm <sup>2</sup> ... 1.5 mm <sup>2</sup>
Conductor cross section AWG	22 ... 16
Insertion/withdrawal cycles	50 (Valve connector)

#### Material

Flammability rating according to UL 94	HB
Valve plug contact material	CuSn
Valve plug contact surface material	Ni
Valve plug contact insert material	PA6
Material housing valve plug	PA6
Sealing material	NBR

#### Standards and Regulations

Flammability rating according to UL 94	HB
--	----

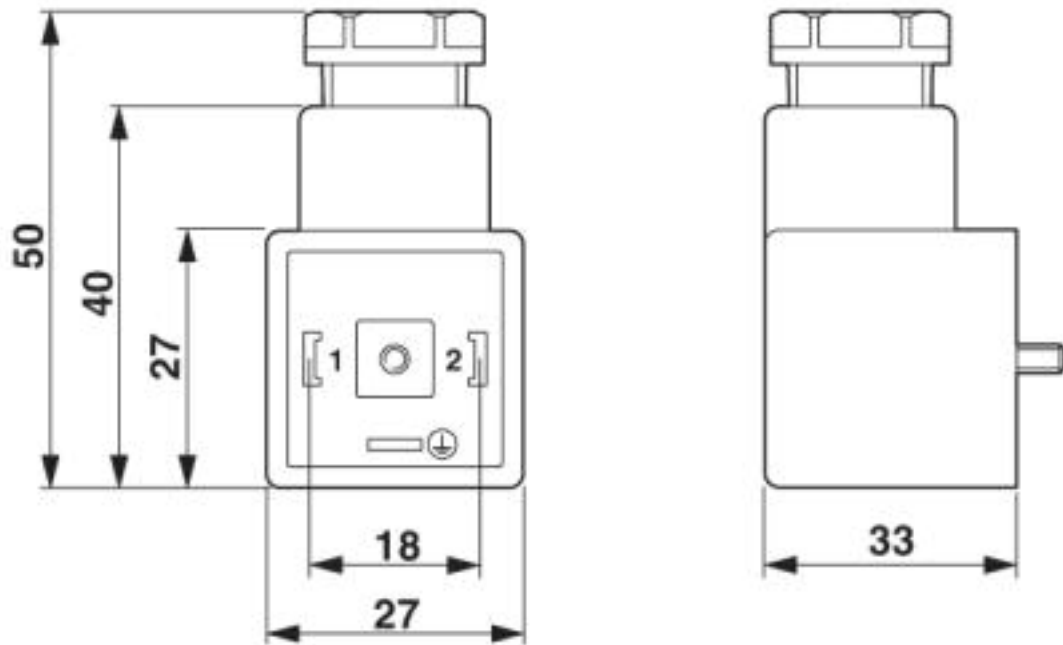
#### Environmental Product Compliance

REACH SVHC	Lead 7439-92-1
China RoHS	Environmentally Friendly Use Period = 50
	For details about hazardous substances go to tab "Downloads", Category "Manufacturer's declaration"

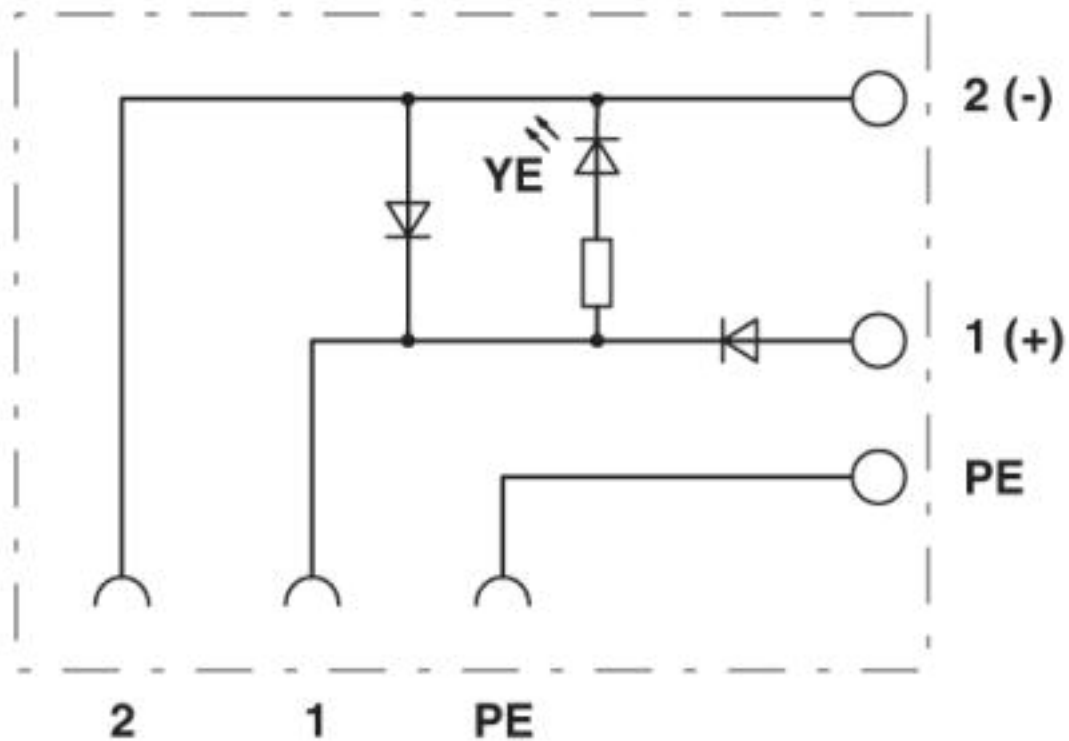
### Drawings

# Valve connectors - SACC-V-3CON-PG9/A-PFL 12/24 - 1533314

Dimensional drawing



Circuit diagram



Approvals

Approvals

## Valve connectors - SACC-V-3CON-PG9/A-PFL 12/24 - 1533314

### Approvals

---

Approvals


EAC

---

Ex Approvals

---

### Approval details

EAC		RU C- DE.AI30.B.01102
-----	---	--------------------------

---

Phoenix Contact 2019 © - all rights reserved  
<http://www.phoenixcontact.com>

PHOENIX CONTACT GmbH & Co. KG  
Flachsmarktstr. 8  
32825 Blomberg  
Germany  
Tel. +49 5235 300  
Fax +49 5235 3 41200  
<http://www.phoenixcontact.com>