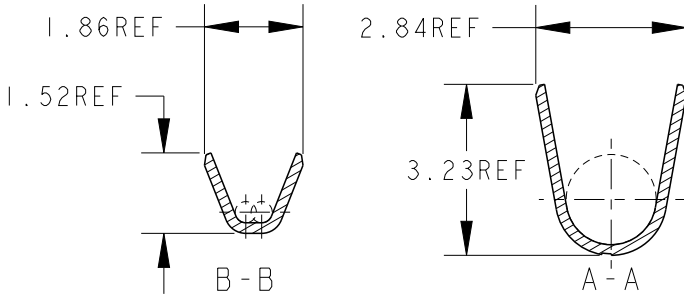
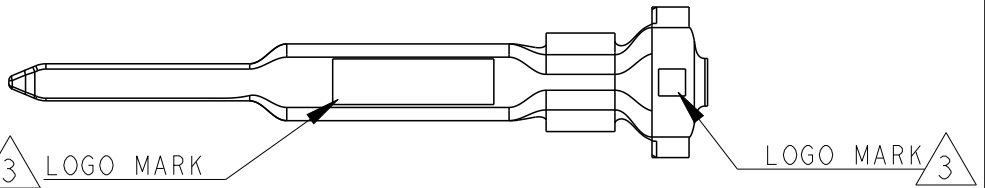
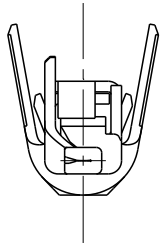
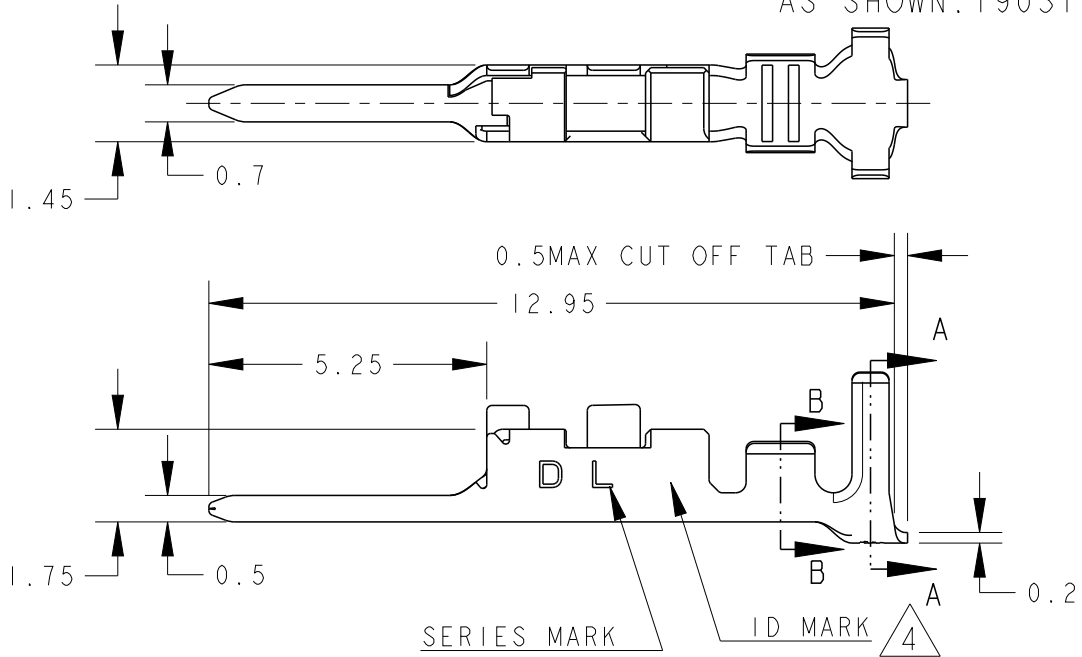


REVISIONS					
P	LTR	DESCRIPTION	DATE	DWN	APVD
	C	REVISED PER ECR-19-016494	24OCT2019	F.Z	R.B
	D	REVISED PER ECR-22-142637	16JUN2022	RI	TS

AS SHOWN: 1903117-2



1. APPLICATION TAB-HSG IS APPLIED TO THE PRODUCT OF 2.5mm PITCH OR MORE OF DYNAMIC D1000 SERIES. 2.0mm PITCH CANNOT BE USED.
2. THE SHAPE, SIZE AND POSITION OF THE CHARACTER SHOW THE OUTLINE. THEY DON'T SHOW DETAILS.
3. ALTERNATIVE LOGO MARK FOR DIFFERENT DIE.
4. ALTERNATIVE ID MARK, WITH "■" OR NO MARK.

© 2019 TE Connectivity. All Rights Reserved.

DL 4	MATERIAL: COPPER ALLOY FINISH: CONTACT AREA Au 0.2umMIN, OVER Ni 1.27umMIN	1903117-4
DL	MATERIAL: COPPER ALLOY FINISH: CONTACT AREA Au 0.38umMIN, OVER Ni 1.27umMIN	1903117-2
SERIES MARK	MATERIAL	PART NO

DIMENSIONS: mm	DWN M. MAEBASHI	11 APR 2006	WIRE RANGE AWG#28~#22 0.08~0.38 mm ²	INSULATION DIA Ø1.08~Ø1.9
	CHK T. KUDO	11 APR 2006	MATERIAL SEE TABLE	FINISH SEE TABLE
TOLERANCES UNLESS OTHERWISE SPECIFIED: ±0.3, ±3°	APVD D. MITSUGI	11 APR 2006	TE TE Connectivity	
	PRODUCT SPEC 108-78268	NAME DYNAMIC D1000 SERIES TAB CONTACT Au, L-TYPE L/P		
0 PLC ± 1 PLC ± 2 PLC ± 3 PLC ± 4 PLC ±	APPLICATION SPEC 114-5377	SIZE A4	CAGE CODE 00779	DRAWING NO C-1903117
ANGLES ±	WEIGHT 0.076 g	RESTRICTED TO		
CUSTOMER DRAWING		SCALE 7:1	SHEET 1 OF 1	REV D