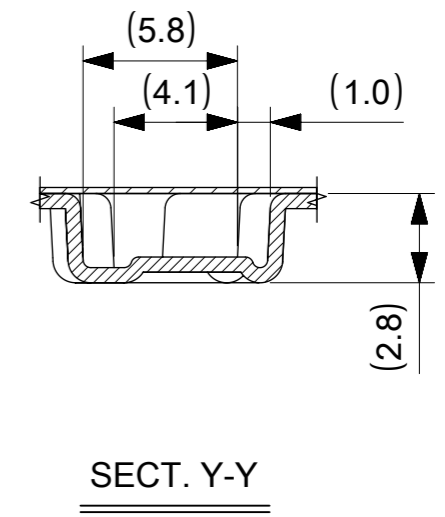
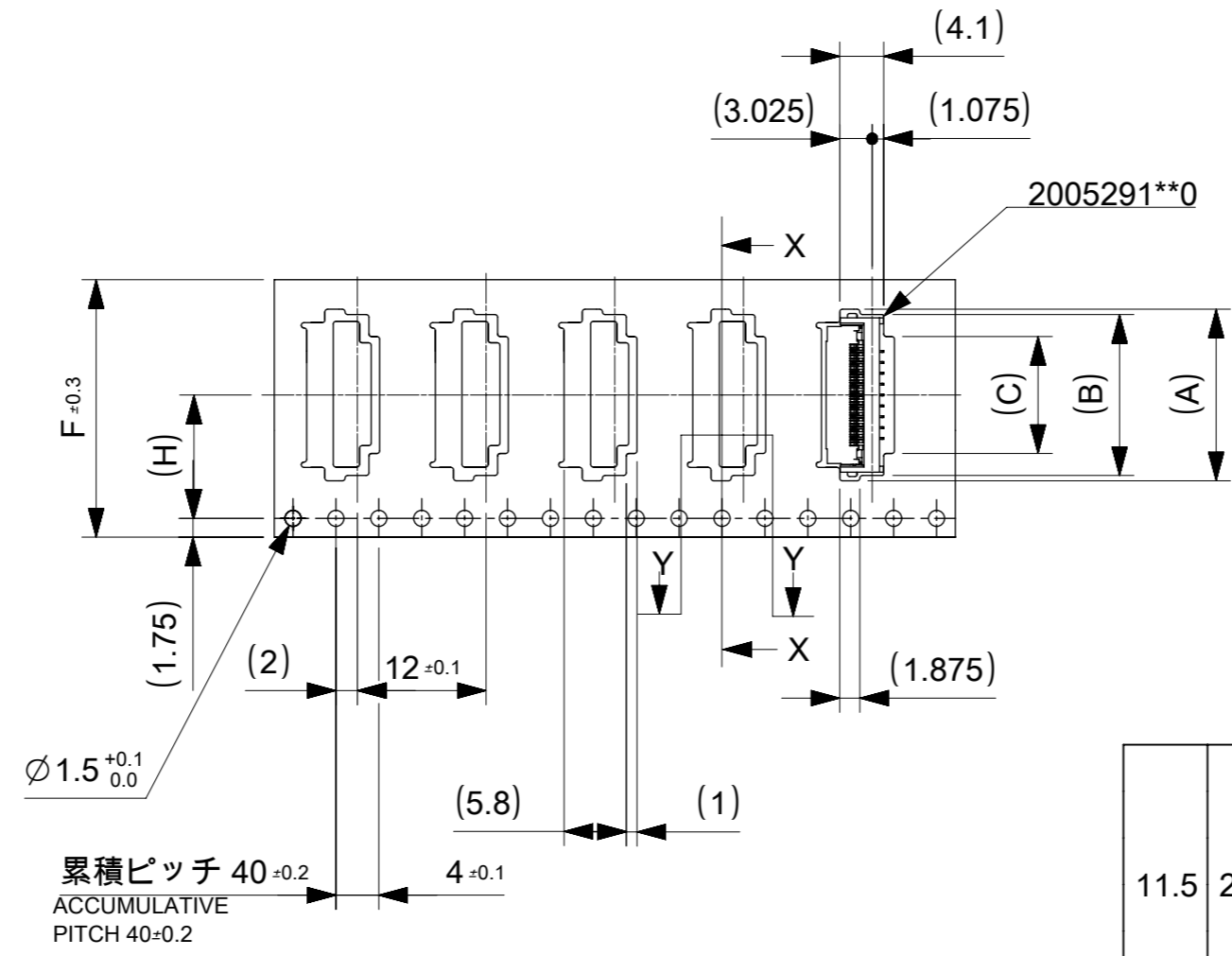
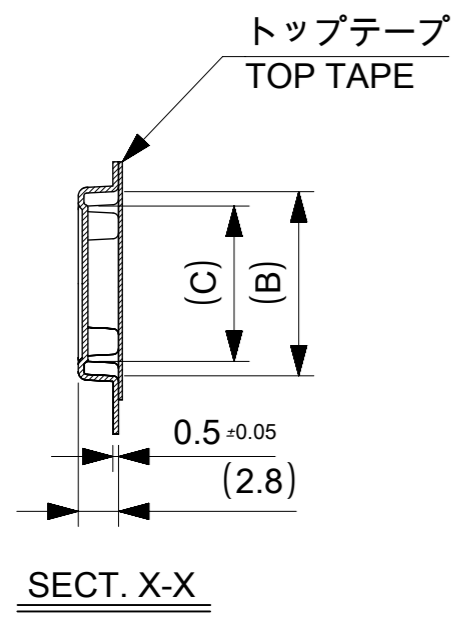




引き出し方向  
PULL OUT  
DIRECTION



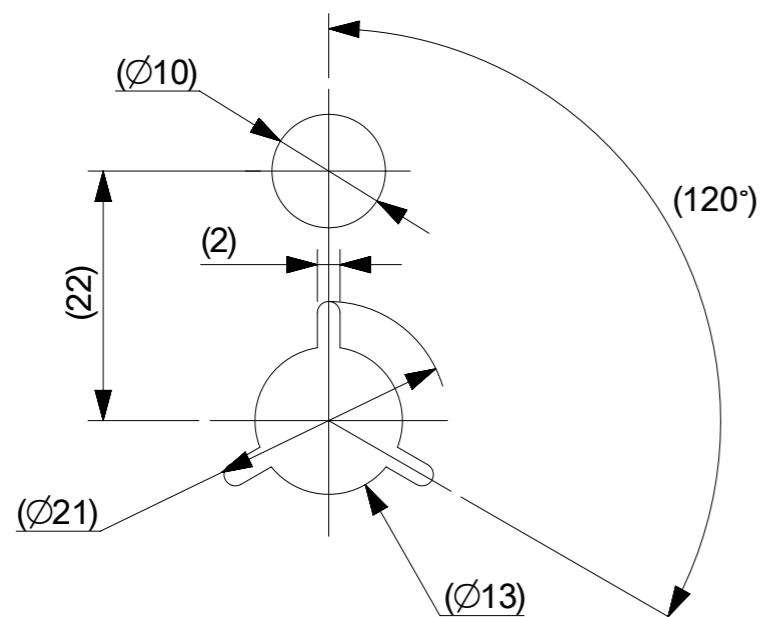
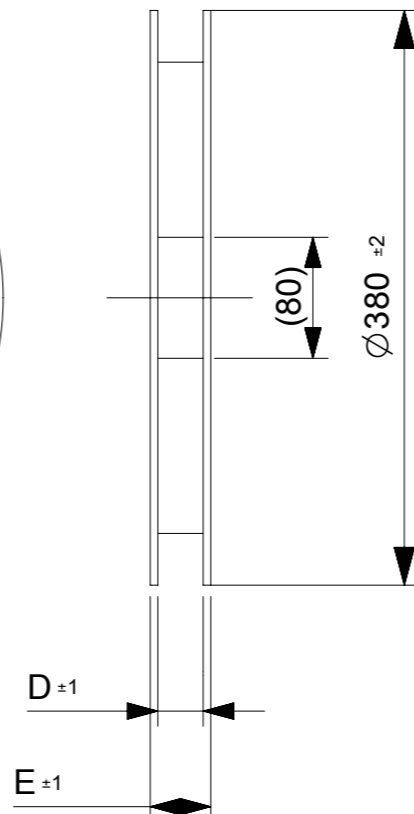
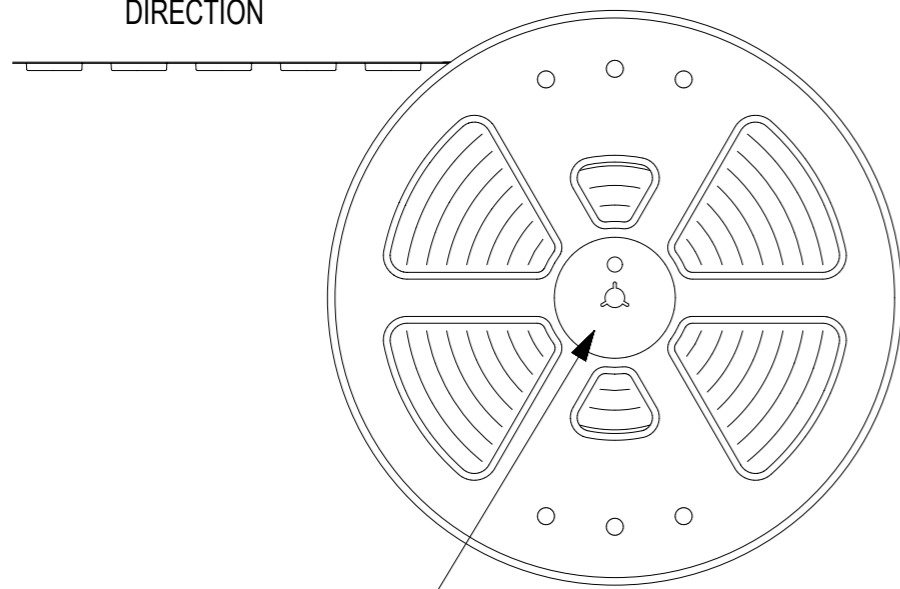
11.5	24	29.4	25.4	10.4	14.4	15.5	2005290090	9
				9.4	13.4	14.5	2005290080	8
				8.4	12.4	13.5	2005290070	7
				7.4	11.4	12.5	2005290060	6
				6.4	10.4	11.5	2005290050	5
				5.4	9.4	10.5	2005290040	4
H	F	E	D	C	B	A	EMBOSSED PACKAGE	Ckt
オーダー番号 ORDER NO.								
CONNECTER NO. 2005291**0								

THIS DRAWING CONTAINS INFORMATION THAT IS PROPRIETARY TO MOLEX ELECTRONIC TECHNOLOGIES, LLC AND SHOULD NOT BE USED WITHOUT WRITTEN PERMISSION

EC NO: 103009 DRWN: MTAKAHASHI04 CHK'D: TKUSUHARA01 APPR: TKUSUHARA01	2016/02/09	2016/02/19	2016/02/19	GENERAL TOLERANCES (UNLESS SPECIFIED)  ANGULAR TOL ± 1.0 ° 4 PLACES ± 0.05 3 PLACES ± 0.1 2 PLACES ± 0.2 1 PLACE ± 0.2 0 PLACES ± 0.2  DRAFT WHERE APPLICABLE MUST REMAIN WITHIN DIMENSIONS	DIMENSION UNITS	SCALE				
	mm		1:1		DRWN BY	DATE				1.0 FPC ZIF BTM CONT EMBT PKG
	MTAKAHASHI04		2015/12/24		CHK'D BY	DATE	PRODUCT CUSTOMER DRAWING			
	KTAKAHASHI		2015/12/25		APPR BY	DATE				SERIES
	YNOGAWA		2016/01/04		DRAWING SIZE	THIRD ANGLE PROJECTION	200529	SEE CHART	GENERAL	
A3				DOCUMENT NUMBER	DOC TYPE	DOC PART	SHEET NUMBER			
				2005290000	PSD	000	2 OF 2			

引き出し方向

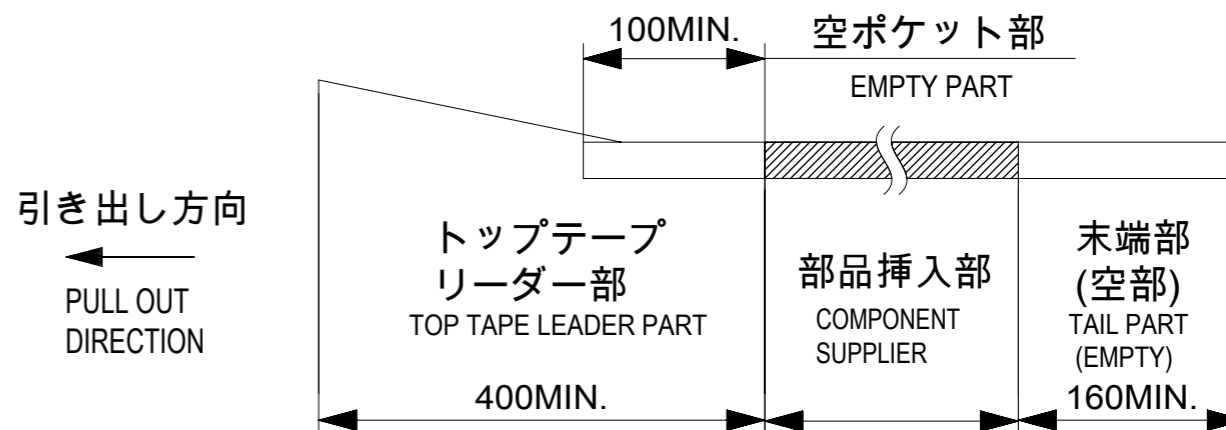
PULL OUT  
DIRECTION



DETAIL "E"

NOTES

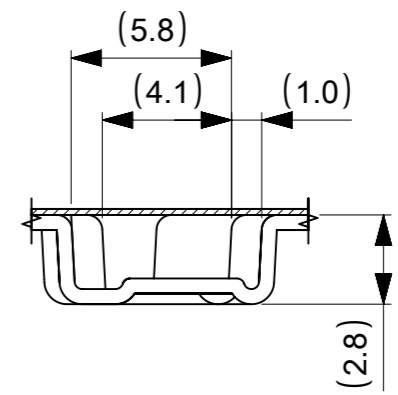
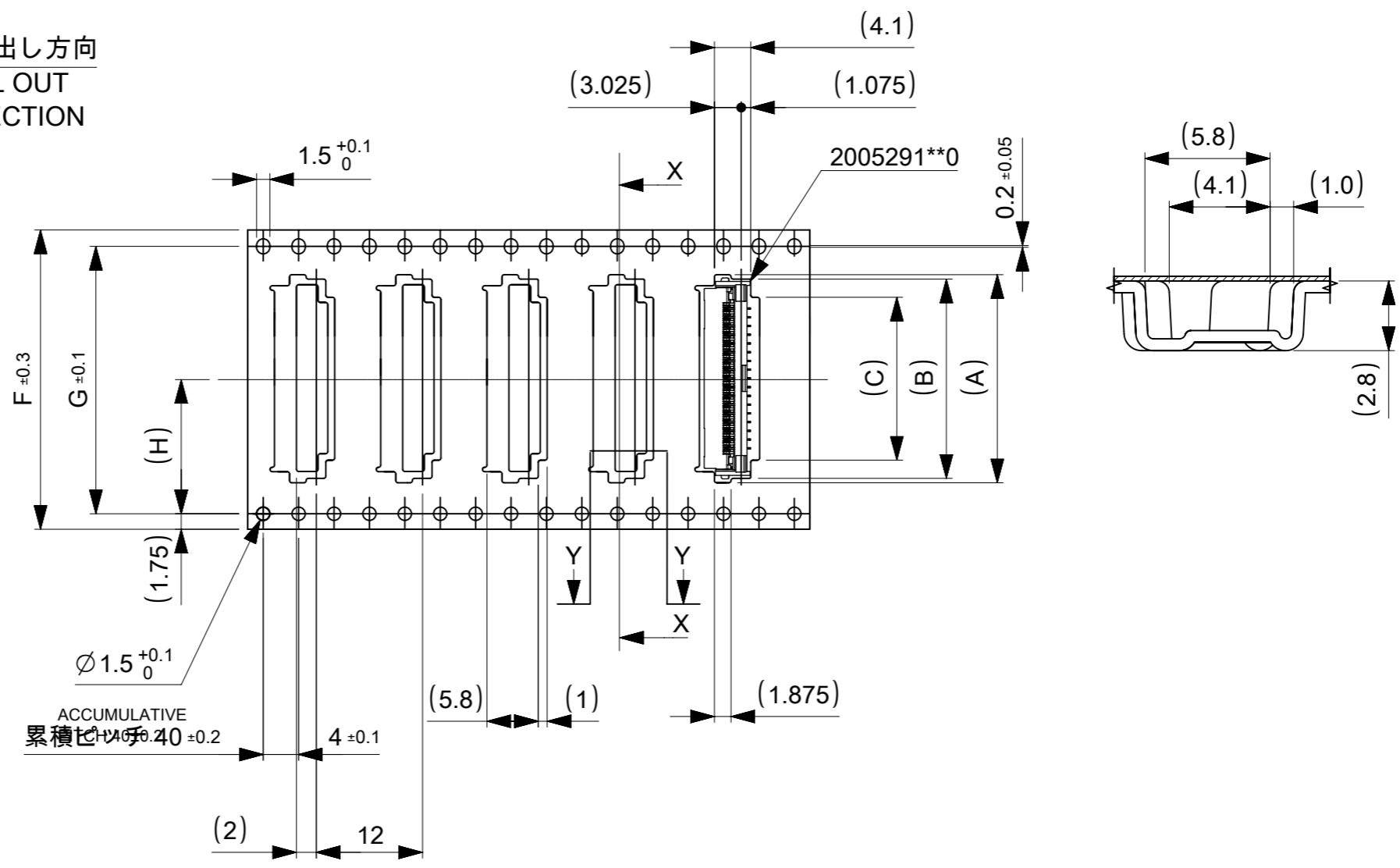
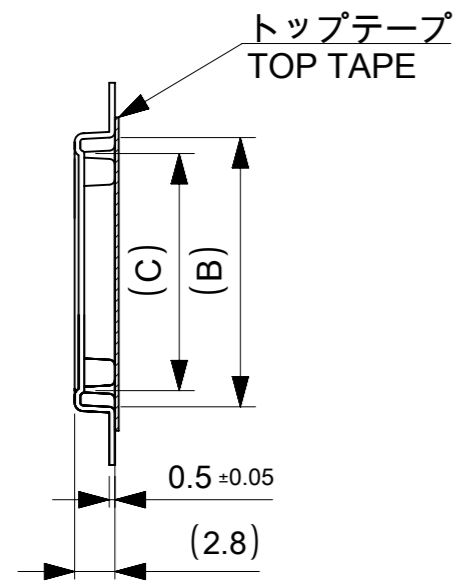
- 梱包数量 : 3000個 / リール  
NUMBER OF CONNECTORS : 3000 PCS/REEL.
- リードテープ長さ  
LEAD TAPE LENGTH



- カバーテープの剥離強度については、IEC60286-3に準拠。  
COVER TAPE PEEL FORCE IS DEFINED BY IEC 60286-3.
- 製品詳細寸法については、図面 2005291006-000を参照下さい。  
FOR DIMENTIONS OF PRODUCT, REFER TO 2005291006-000.
- 材料 MATERIAL  
キャリアテープ : ポリスチレン  
CARRIER TAPE : POLYSTYRENE  
トップテープ : ポリエチレンテレフタレート、ポリエチレン  
TOP TAPE : POLYETHYLENE TEREPHTHALATE, POLYETHYLENE  
リール : ポリスチレン<リサイクル材を含む>
- ELV及びRoHS適合品 ELV AND RoHS COMPLIANT.

THIS DRAWING CONTAINS INFORMATION THAT IS PROPRIETARY TO MOLEX ELECTRONIC TECHNOLOGIES, LLC AND SHOULD NOT BE USED WITHOUT WRITTEN PERMISSION									
DIMENSION UNITS		SCALE		CURRENT REV DESC:				<b>molex</b>	
mm		2:1							
GENERAL TOLERANCES (UNLESS SPECIFIED)				1.0 FPC ZIF BTM CONT EMBT PKG					
ANGULAR TOL ± 1.0 °				PRODUCT CUSTOMER DRAWING					
4 PLACES ± 0.05		EC NO: 698599		DRWN: KYHWANG		2022/01/28		DOCUMENT NUMBER	
3 PLACES ± 0.1		CHK'D: SHOSHIKAWA		APPR: SHOSHIKAWA		2022/03/11		DOC TYPE DOC PART REVISION	
2 PLACES ± 0.2		INITIAL REVISION:		DRWN: MTAKAHASHI04		2015/12/24		2005290006	
1 PLACE ± 0.2		APPR: YNOGAWA		DRWN: YNOGAWA		2016/01/04		PSD 000 C	
0 PLACES ± 0.2		DRAFT WHERE APPLICABLE MUST REMAIN WITHIN DIMENSIONS		THIRD ANGLE PROJECTION		DRAWING		SERIES	
				A3-SIZE		200529		MATERIAL NUMBER CUSTOMER SHEET NUMBER	
				SEE CHART		GENERAL		1 OF 2	

引き出し方向  
PULL OUT  
DIRECTION

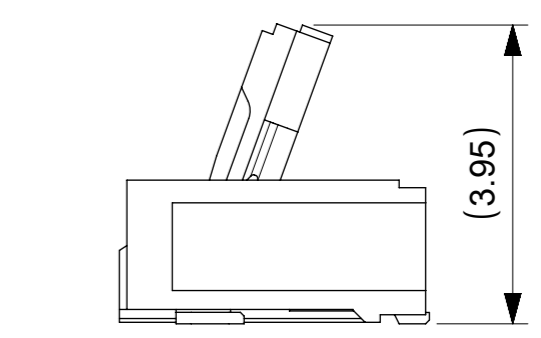
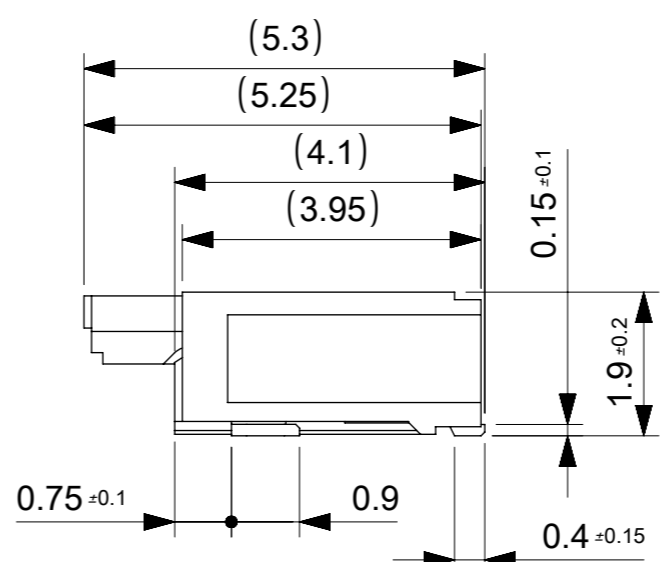
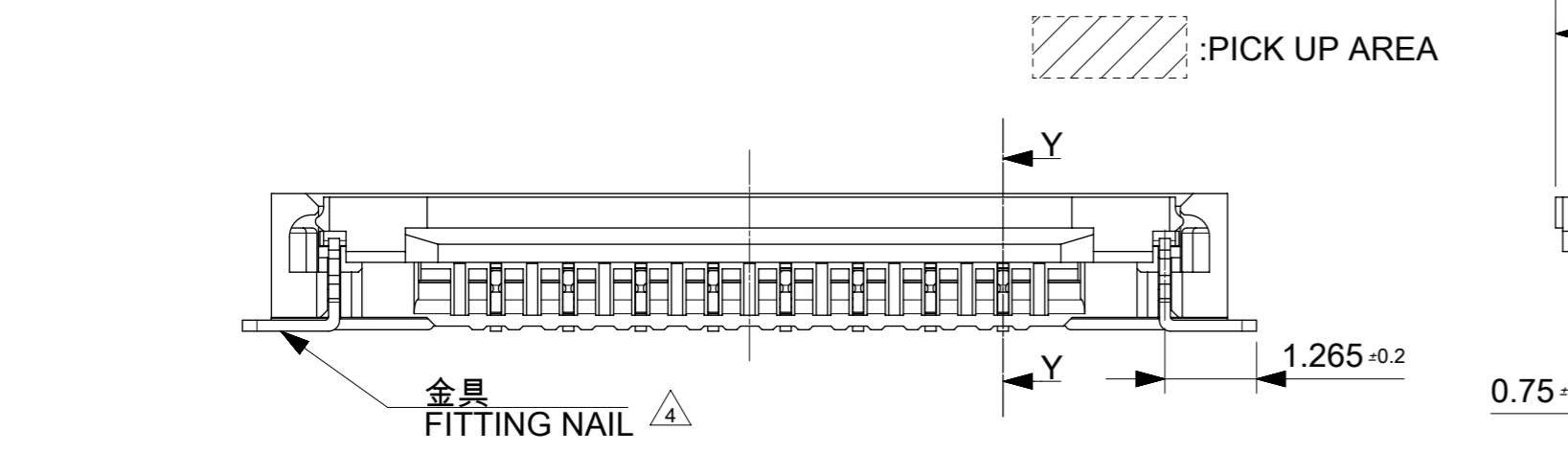
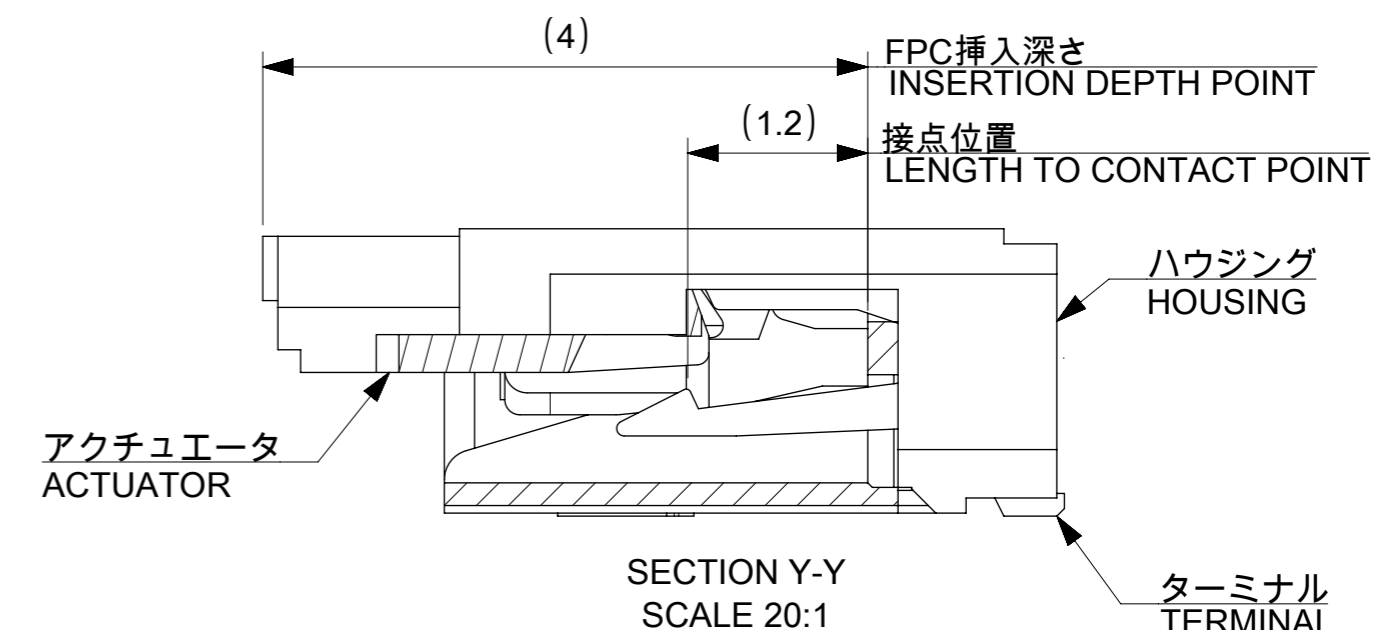
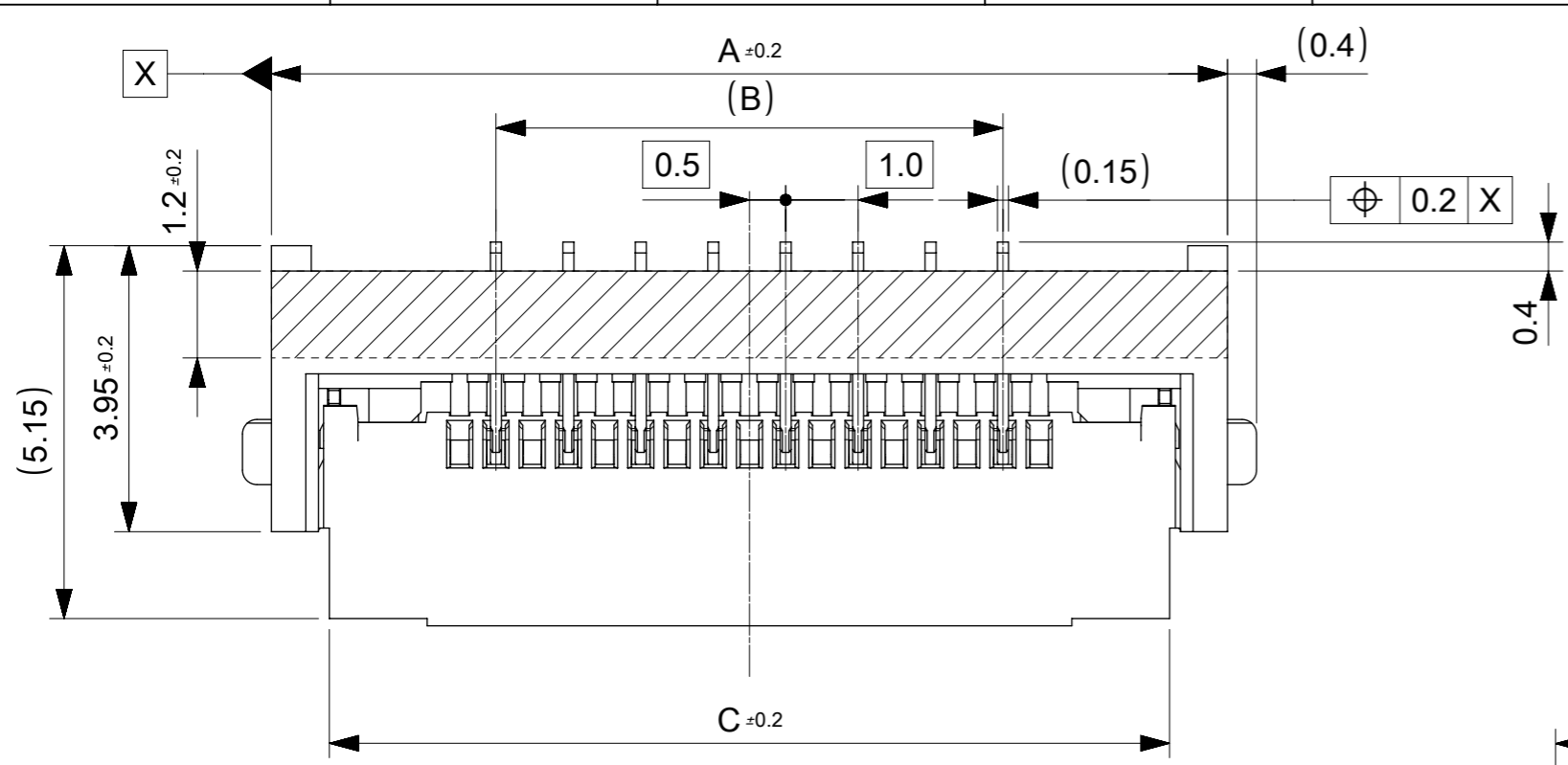


ACCUMULATIVE  
累積ピッチ  $4.0 \pm 0.2$

20.2	40.4	44	49.4	45.4	23.4	27.4	28.5	2005290220	22
					18.4	22.4	23.5	2005290170	17
14.2	28.4	32	37.4	33.4	13.4	17.4	18.5	2005290120	12
H	G	F	E	D	C	B	A	EMBOSSED PACKGE	Ckt
								オーダー番号 ORDER NO.	

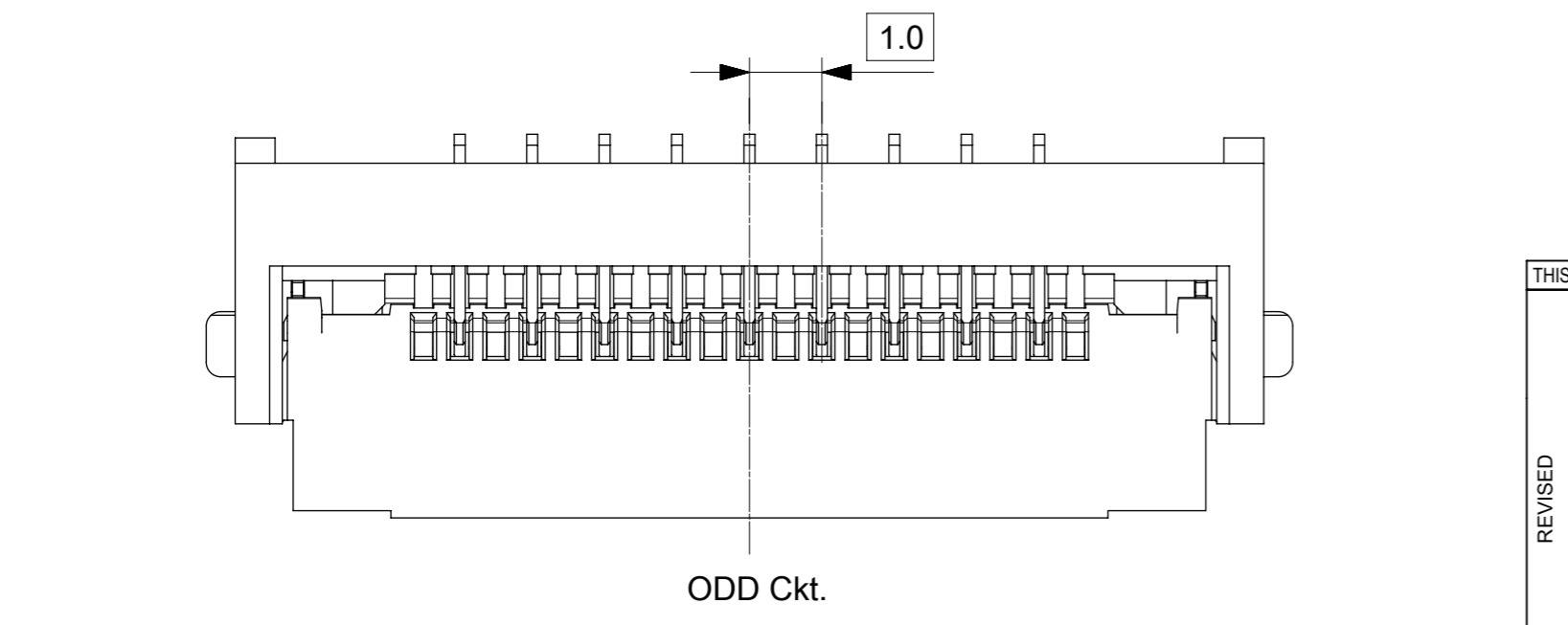
CONNECTOR SERIES NO. 2005291\*\*0

THIS DRAWING CONTAINS INFORMATION THAT IS PROPRIETARY TO MOLEX ELECTRONIC TECHNOLOGIES, LLC AND SHOULD NOT BE USED WITHOUT WRITTEN PERMISSION											
DIMENSION UNITS mm		SCALE 2:1		CURRENT REV DESC:						<b>molex</b>	
GENERAL TOLERANCES (UNLESS SPECIFIED)				EC NO: 698599							
ANGULAR TOL ± 1.0°				DRWN: KYHWANG 2022/01/28						1.0 FPC ZIF BTM CONT EMBT PKG	
4 PLACES ± 0.05				CHK'D: SHOSHIKAWA 2022/03/11						PRODUCT CUSTOMER DRAWING	
3 PLACES ± 0.1				APPR: SHOSHIKAWA 2022/03/11						DOCUMENT NUMBER	
2 PLACES ± 0.2				INITIAL REVISION:						DOC TYPE	
1 PLACE ± 0.2				DRWN: MTAKAHASHI04 2015/12/24						DOC PART	
0 PLACES ± 0.2				APPR: YNOGAWA 2016/01/04						REVISION	
DRAFT WHERE APPLICABLE MUST REMAIN WITHIN DIMENSIONS				THIRD ANGLE PROJECTION		DRAWING		SERIES		MATERIAL NUMBER	
				A3-SIZE		200529		CUSTOMER		SHEET NUMBER	
								2005290006		2 OF 2	
								SEE CHART		GENERAL	



12.6	8.0	14.2	2005290090	9
11.6	7.0	13.2	2005290080	8
10.6	6.0	12.2	2005290070	7
9.6	5.0	11.2	2005290060	6
8.6	4.0	10.2	2005290050	5
7.6	3.0	9.2	2005290040	4
C	B	A	EMBOSSED PACKAGE オーダー番号 ORDER NO.	Ckt

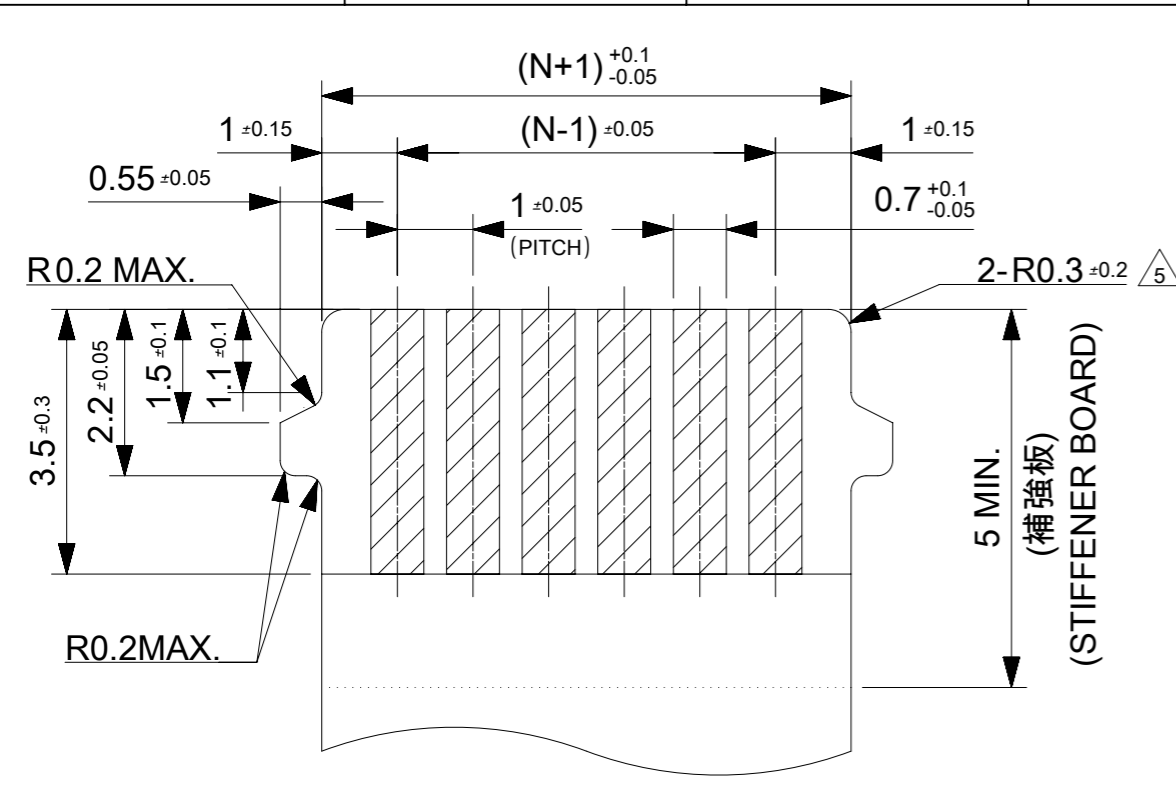
CONNECTOR SERIES NO.2005291\*\*0



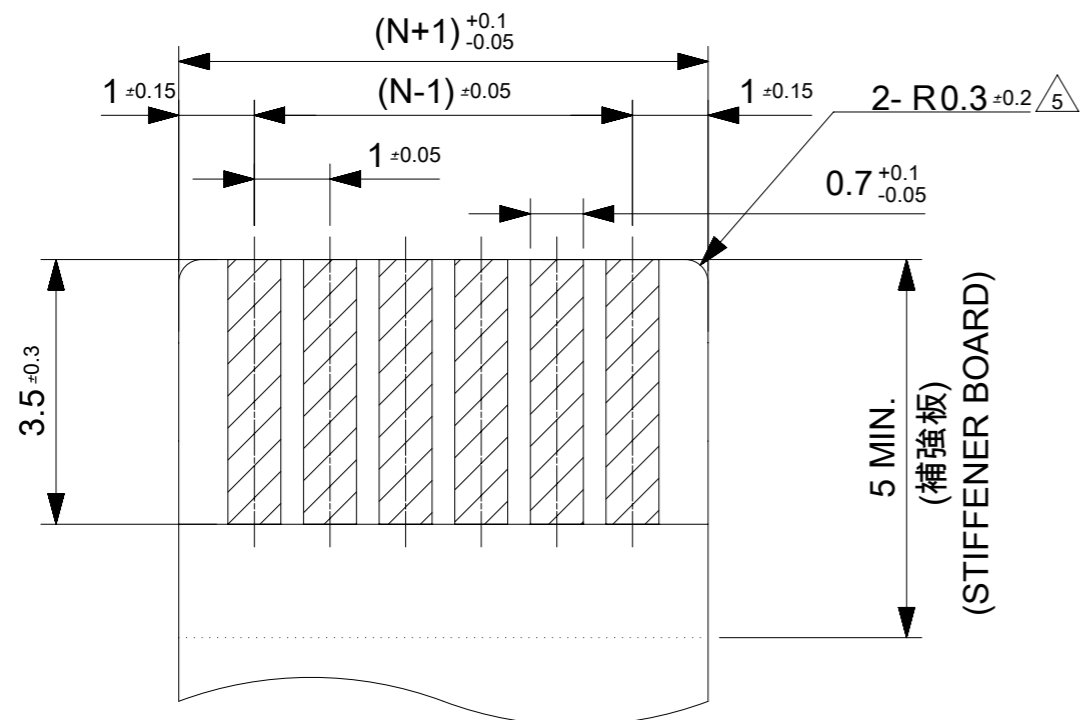
THIS DRAWING CONTAINS INFORMATION THAT IS PROPRIETARY TO MOLEX ELECTRONIC TECHNOLOGIES, LLC AND SHOULD NOT BE USED WITHOUT WRITTEN PERMISSION

REVISED	2017/06/09	GENERAL TOLERANCES (UNLESS SPECIFIED)	DIMENSION UNITS	SCALE	<b>molex</b>			
	2017/06/12		MM	10:1				
	2017/06/12		ANGULAR TOL ± 1.0 °	DRWN BY		DATE		
	4 PLACES ± 0.05		MTAKAHASHI04	2015/12/24				
EC NO: 117930	JASANUMA	3 PLACES ± 0.1	CHK'D BY	DATE	1.0 FPC ZIF BTM CONT HSG ASSY			
	YKOBAYASHI02	2 PLACES ± 0.2	KTAKAHASHI	2015/12/25				
	TKUSUHARA01	1 PLACE ± 0.2	YNOGAWA	2016/01/04				
	0 PLACES ± 0.2	DRAFT WHERE APPLICABLE MUST REMAIN WITHIN DIMENSIONS	DRAWING SIZE	THIRD ANGLE PROJECTION				
C	REV	A3			PRODUCT CUSTOMER DRAWING			
RELEASE STATUS	P1	RELEASE DATE	12.06.2017	07:07:19	SERIES	MATERIAL NUMBER	CUSTOMER	
					200529	SEE CHART	GENERAL	
					DOCUMENT NUMBER	DOC TYPE	DOC PART	SHEET NUMBER
					2005291000	PSD	000	1 OF 3

適合FPC/FFC推奨寸法  
APPLICABLE FPC/FFC  
RECOMMENDED DIMENSION



耳無し適合FPC/FFC推奨寸法  
APPLICABLE NON-TAB FPC/FFC  
RECOMMENDED DIMENSION



- 補強板: ポリイミド  
REINFORCE BOARD: POLYIMIDE
- 熱硬化接着剤  
THERMOSETTING ADHESIVE
- ベースフィルム: ポリイミド(25μm)  
BASE FILM: POLYIMIDE(25μm)
- 熱硬化接着剤  
THERMOSETTING ADHESIVE
- 導体部: 銅箔(35μm)  
COPPER FOIL (35μm)
- 熱硬化接着剤  
THERMOSETTING ADHESIVE
- カバーレイ: ポリイミド(25μm)  
COVER FILM: POLYIMIDE(25μm)

FPC構成推奨仕様  
STRUCTURE OF FPC

- 補強板: ポリエステル系  
REINFORCE BOARD: PET
- 接着剤(難燃ポリエステル系)  
ADHESIVE (FLAME-RETARDANT  
POLYESTER ADHESIVE)
- 絶縁テープ: ポリエステル系(25μm)  
INSULATING FILM: PET(25μm)
- 接着剤(難燃ポリエステル系)  
ADHESIVE (FLAME-RETARDANT  
POLYESTER ADHESIVE)
- 導体部: 銅箔(35μmか50μm)  
COPPER FOIL (35μm or 50μm)
- 接着剤(難燃ポリエステル系)  
ADHESIVE (FLAME-RETARDANT  
POLYESTER ADHESIVE)
- 絶縁テープ: ポリエステル系(25μm)  
INSULATING FILM: PET(25μm)

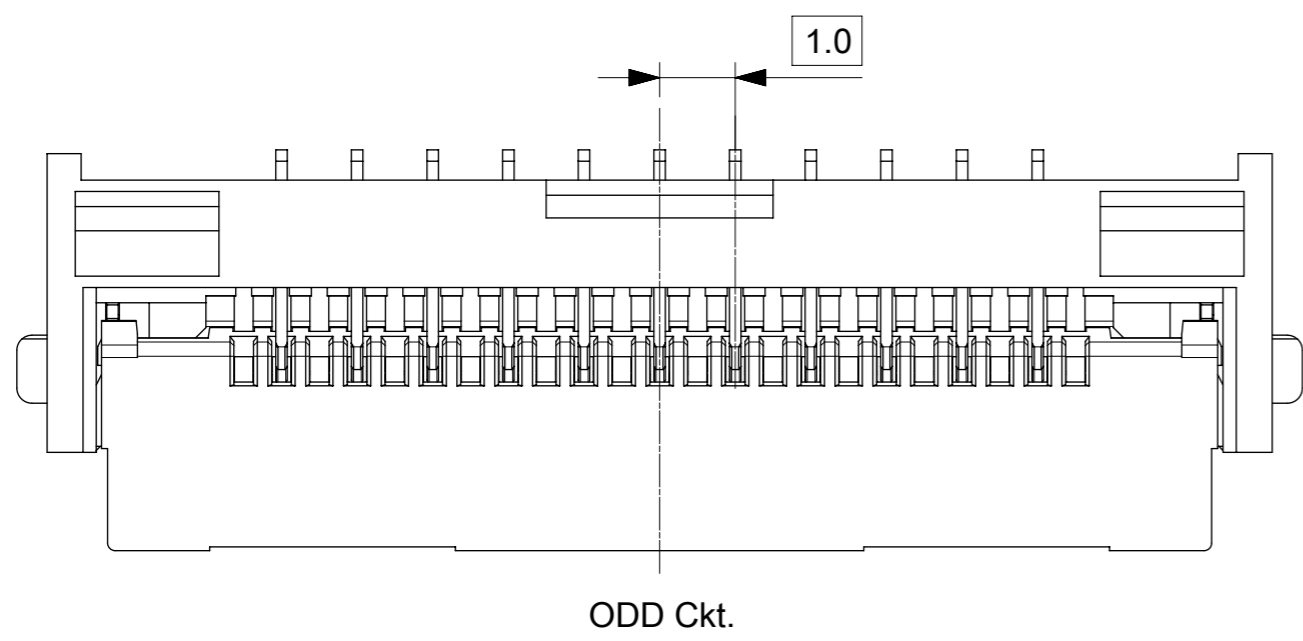
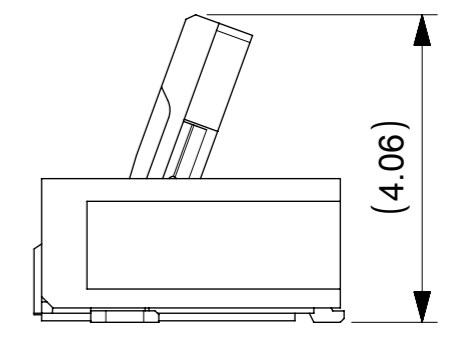
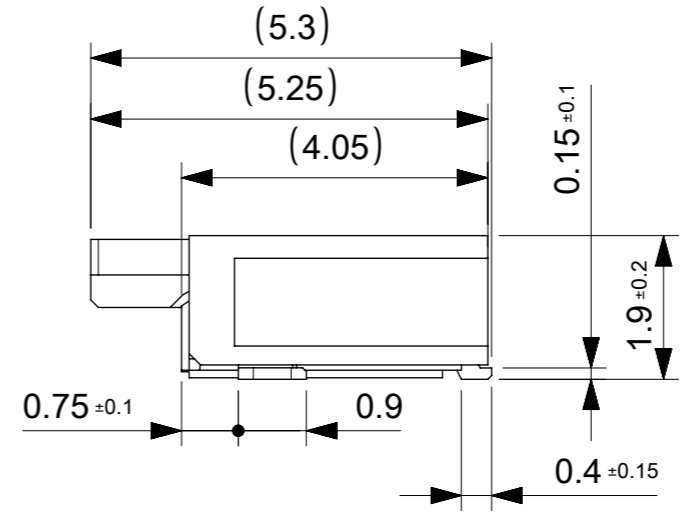
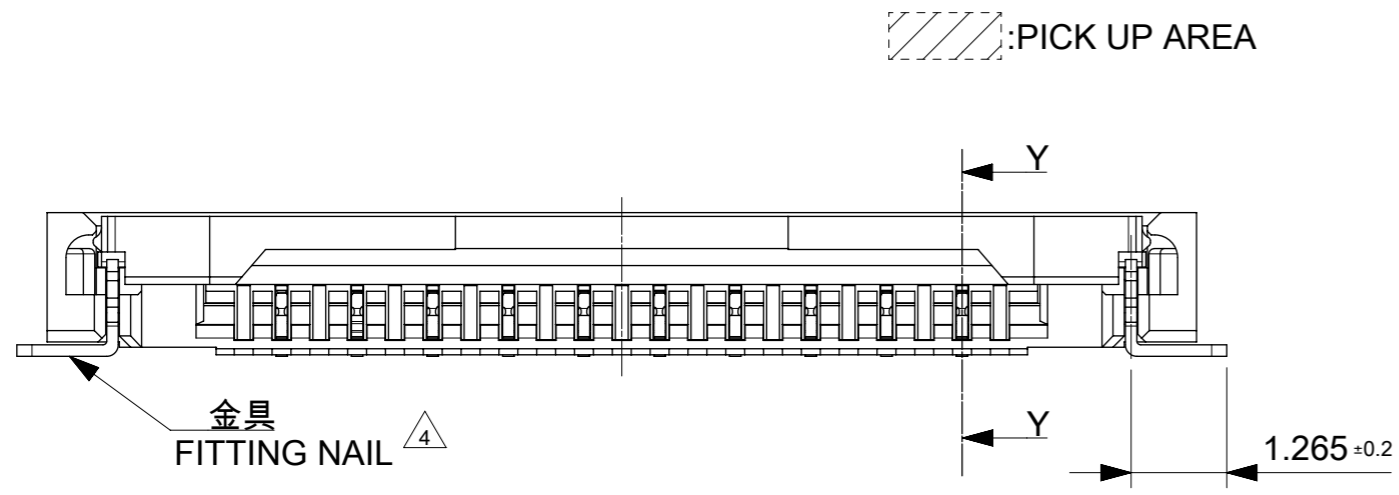
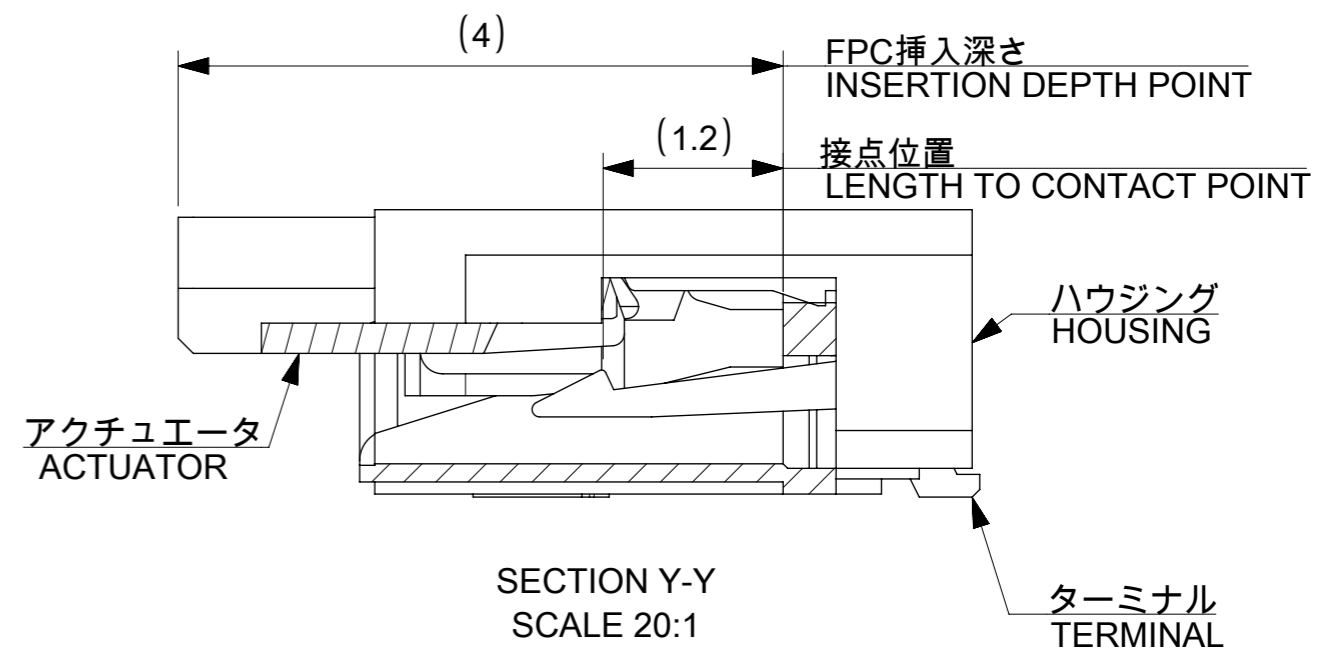
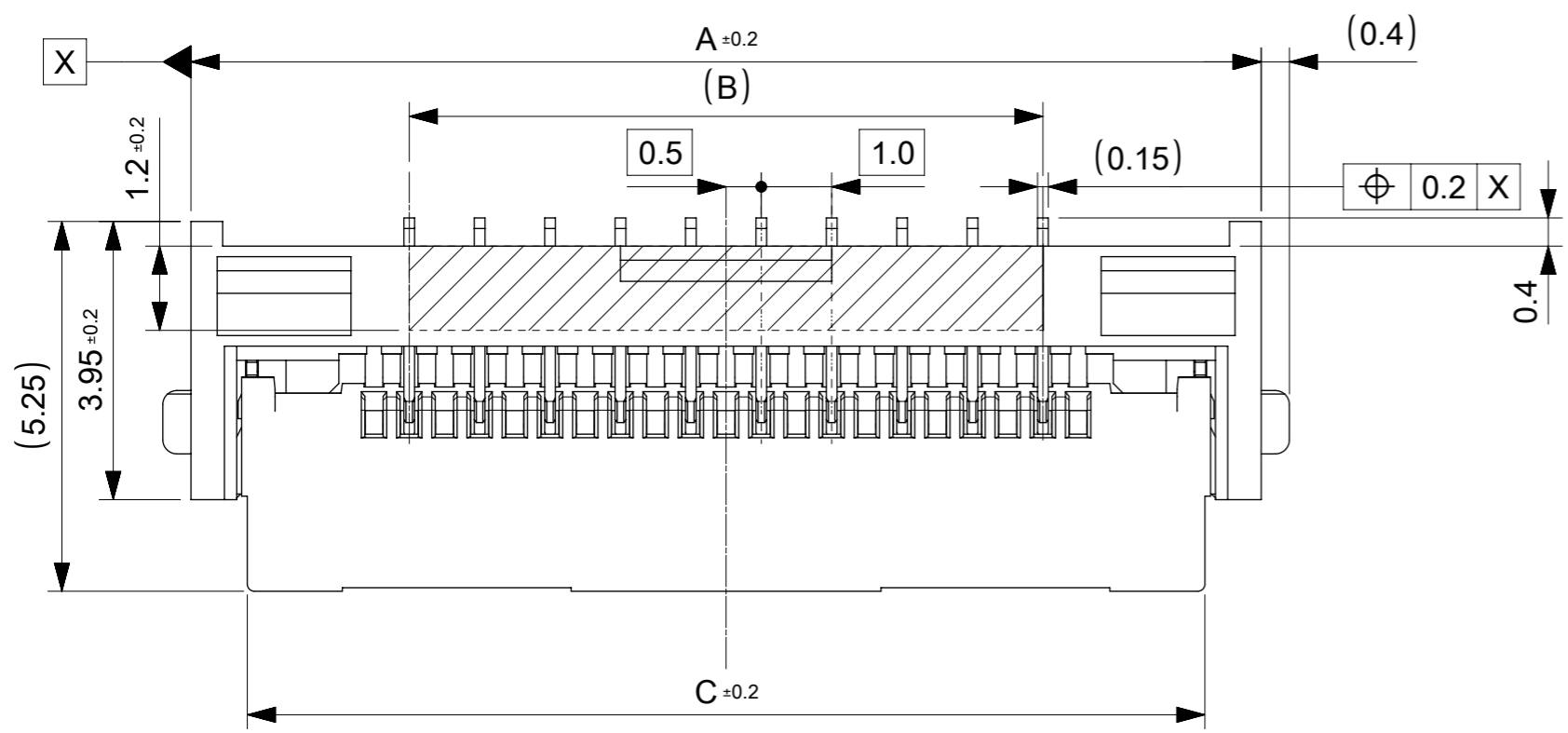
FFC構成推奨仕様  
STRUCTURE OF FFC

THIS DRAWING CONTAINS INFORMATION THAT IS PROPRIETARY TO MOLEX ELECTRONIC TECHNOLOGIES, LLC AND SHOULD NOT BE USED WITHOUT WRITTEN PERMISSION

REVISED	2017/06/09	2017/06/12	GENERAL TOLERANCES (UNLESS SPECIFIED)	DIMENSION UNITS	SCALE	
	2017/06/12	2017/06/12		MM	##	
	EC NO: 117930 DRWN: JASANUMA CHK'D: YKOBAYASHI02 APPR: TKUSUHARA01	4 PLACES		± 0.05	DRWN BY	DATE
		3 PLACES		± 0.1	MTAKAHASHI04	2015/12/24
		2 PLACES		± 0.2	CHK'D BY	DATE
1 PLACE		± 0.2	KTAKAHASHI	2015/12/25		
	0 PLACES	± 0.2	APPR BY	DATE		
			YNOGAWA	2016/01/04		
	DRAFT WHERE APPLICABLE MUST REMAIN WITHIN DIMENSIONS		DRAWING SIZE	THIRD ANGLE PROJECTION		
			A3			

<b>molex®</b>			
1.0 FPC ZIF BTM CONT HSG ASSY			
PRODUCT CUSTOMER DRAWING			
SERIES	MATERIAL NUMBER	CUSTOMER	
200529	SEE SHEET 1	GENERAL	
DOCUMENT NUMBER		DOC TYPE	DOC PART SHEET NUMBER
2005291000		PSD	000 2 OF 3

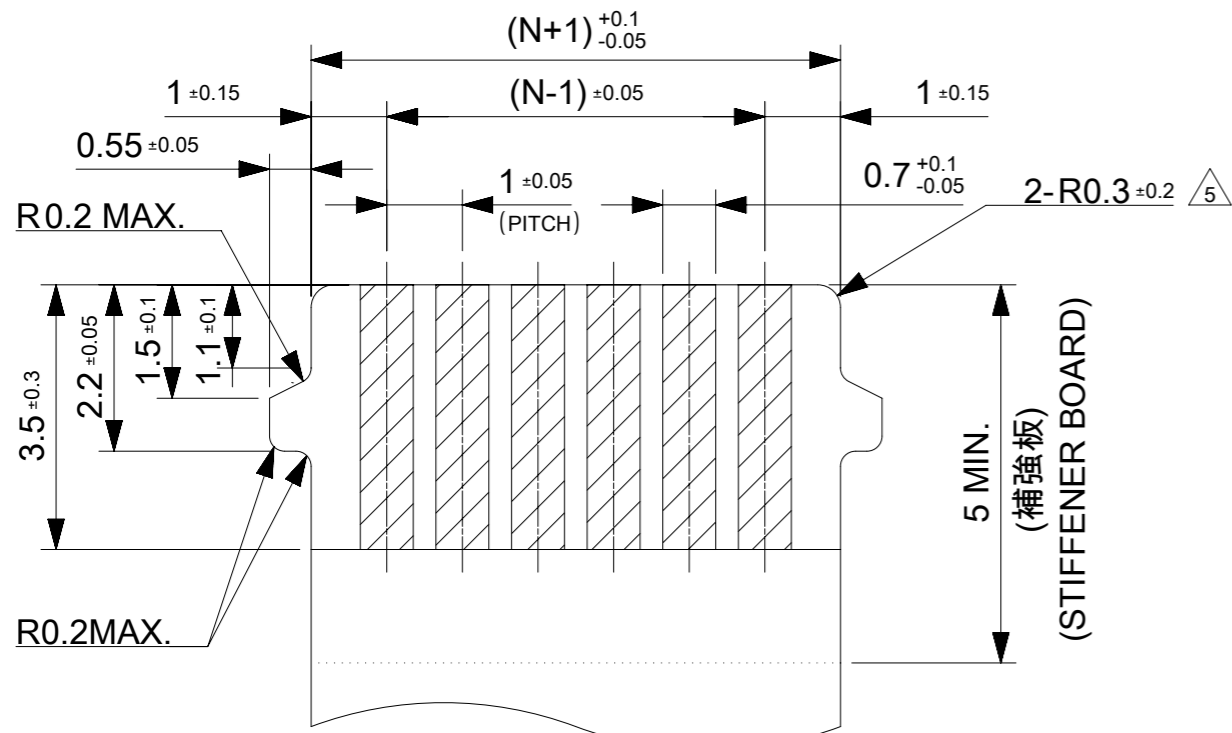




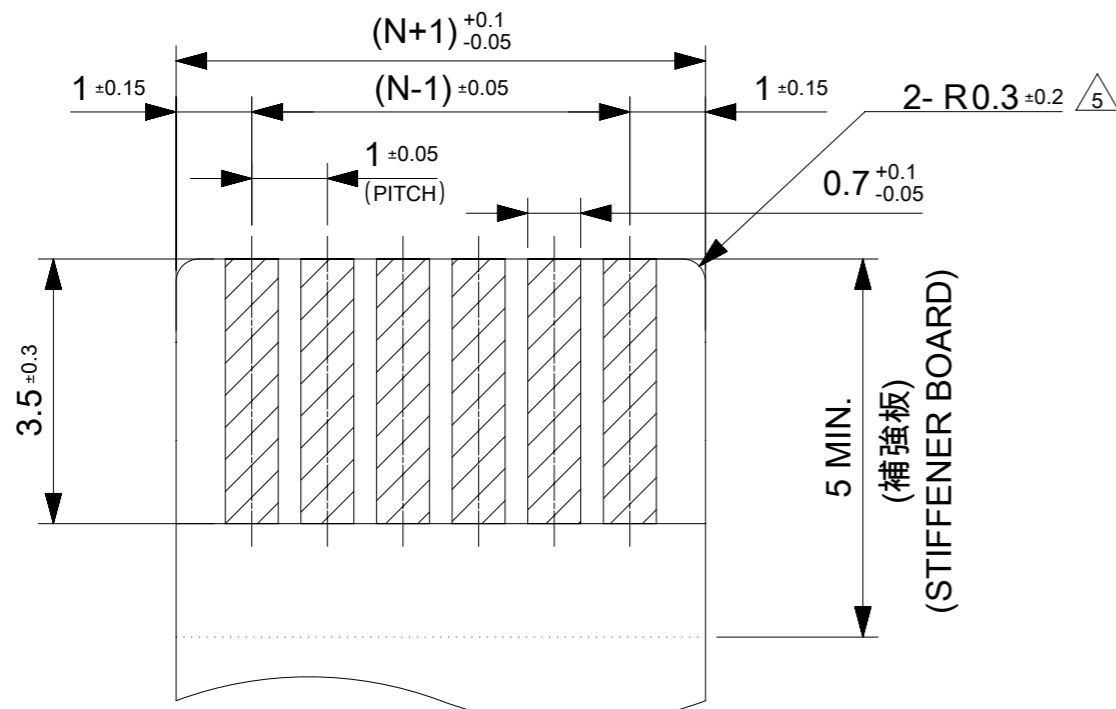
25.6	21	27.2	2005290220	22
20.6	16	22.2	2005290170	17
15.6	11	17.2	2005290120	12
C	B	A	EMBOSSED PACKAGE	Ckt
			オーダー番号 ORDER NO.	
CONNECTOR SERIES NO. 2005291**0				

THIS DRAWING CONTAINS INFORMATION THAT IS PROPRIETARY TO MOLEX ELECTRONIC TECHNOLOGIES, LLC AND SHOULD NOT BE USED WITHOUT WRITTEN PERMISSION				
DIMENSION UNITS	SCALE	CURRENT REV DESC:		
mm	10:1			
GENERAL TOLERANCES (UNLESS SPECIFIED)				
ANGULAR TOL	± 1.0 °			
4 PLACES	± 0.05	EC NO: 698599		
3 PLACES	± 0.1	DRWN: KYHWANG	2022/01/28	
2 PLACES	± 0.2	CHK'D: SHOSHIKAWA	2022/03/11	
1 PLACE	± 0.2	APPR: SHOSHIKAWA	2022/03/11	
0 PLACES	± 0.2	INITIAL REVISION:		
DRAFT WHERE APPLICABLE MUST REMAIN WITHIN DIMENSIONS		DRWN: MTAKAHASHI04	2015/12/24	
		APPR: YNOGAWA	2016/01/04	
THIRD ANGLE PROJECTION		DRAWING	SERIES	MATERIAL NUMBER
		A3-SIZE	200529	SEE CHART
		CUSTOMER	SHEET NUMBER	
		GENERAL	1 OF 3	

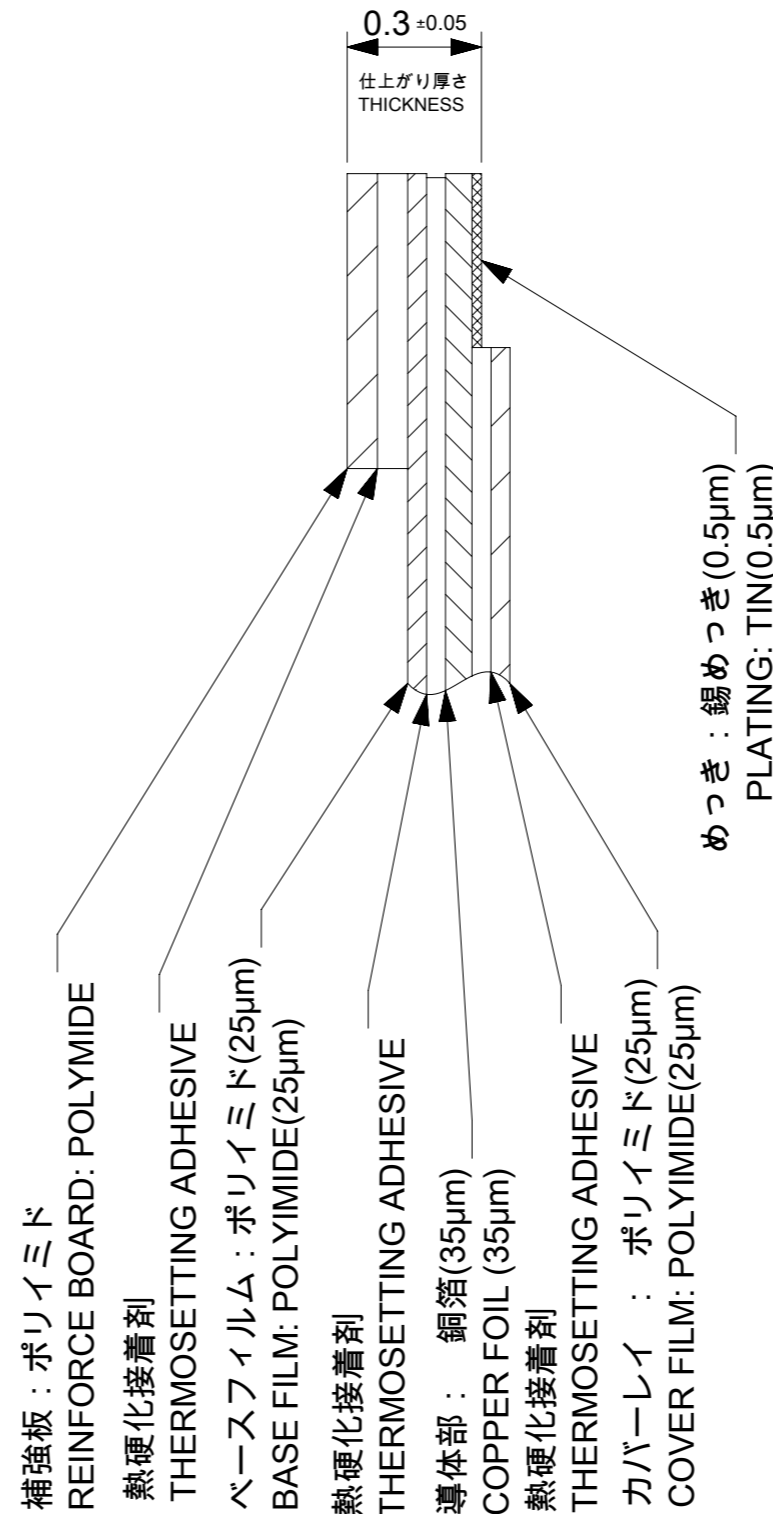




適合FPC/FFC推奨寸法  
APPLICABLE FPC/FFC  
RECOMMENDED DIMENSION

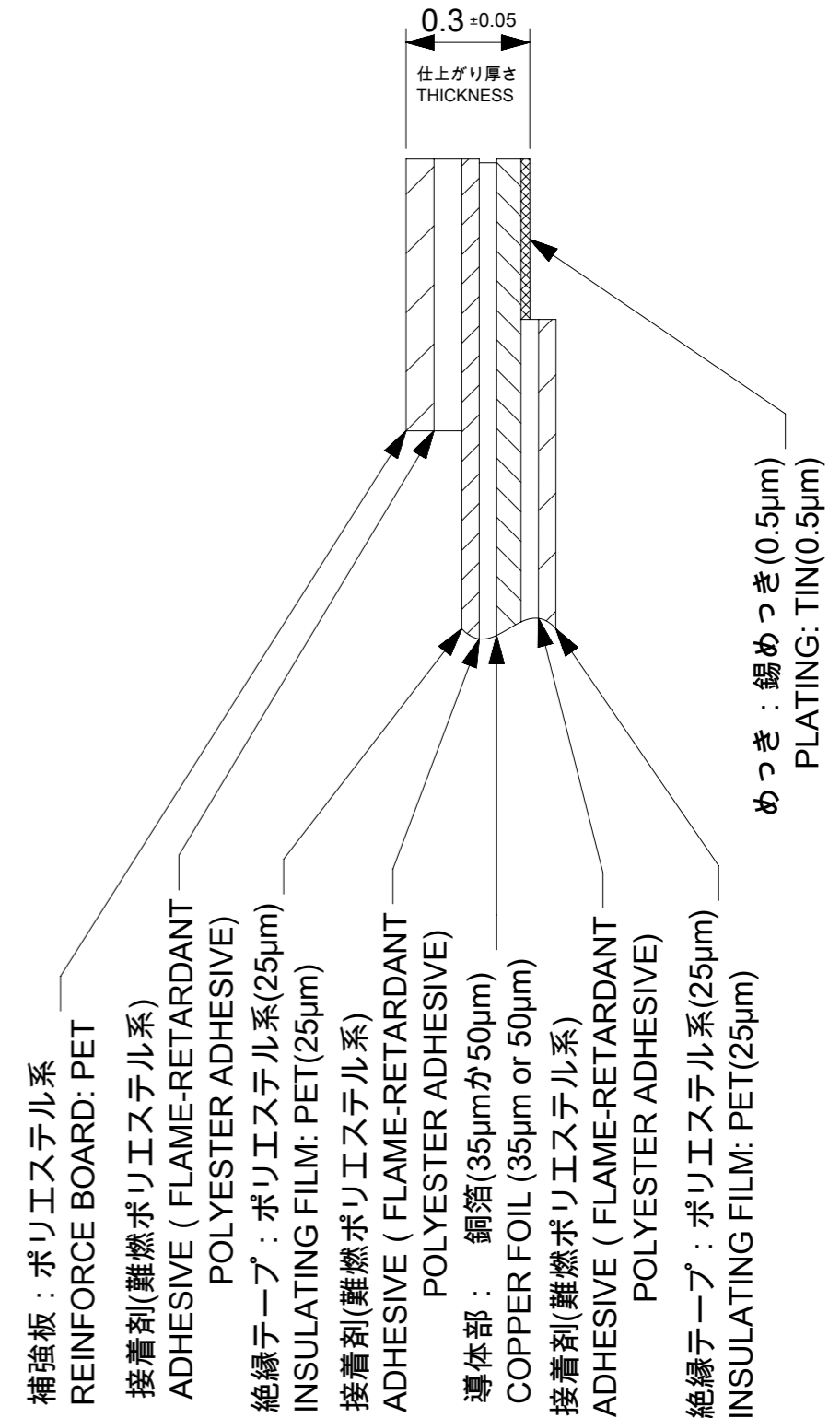


耳無し適合FPC/FFC推奨寸法  
APPLICABLE NON-TAB FPC/FFC  
RECOMMENDED DIMENSION



- 補強板: ポリイミド  
REINFORCE BOARD: POLYIMIDE
- 熱硬化接着剤  
THERMOSETTING ADHESIVE
- ベースフィルム: ポリイミド(25µm)  
BASE FILM: POLYIMIDE(25µm)
- 熱硬化接着剤  
THERMOSETTING ADHESIVE
- 導体部: 銅箔(35µm)  
COPPER FOIL (35µm)
- 熱硬化接着剤  
THERMOSETTING ADHESIVE
- カバーレイ: ポリイミド(25µm)  
COVER FILM: POLYIMIDE(25µm)

FPC構成推奨仕様  
STRUCTURE OF FPC



- 補強板: ポリエステル系  
REINFORCE BOARD: PET
- 接着剤(難燃ポリエステル系)  
ADHESIVE ( FLAME-RETARDANT  
POLYESTER ADHESIVE)
- 絶縁テープ: ポリエステル系(25µm)  
INSULATING FILM: PET(25µm)
- 接着剤(難燃ポリエステル系)  
ADHESIVE ( FLAME-RETARDANT  
POLYESTER ADHESIVE)
- 導体部: 銅箔(35µmか50µm)  
COPPER FOIL (35µm or 50µm)
- 接着剤(難燃ポリエステル系)  
ADHESIVE ( FLAME-RETARDANT  
POLYESTER ADHESIVE)
- 絶縁テープ: ポリエステル系(25µm)  
INSULATING FILM: PET(25µm)

FFC構成推奨仕様  
STRUCTURE OF FFC

THIS DRAWING CONTAINS INFORMATION THAT IS PROPRIETARY TO MOLEX ELECTRONIC TECHNOLOGIES, LLC AND SHOULD NOT BE USED WITHOUT WRITTEN PERMISSION									
DIMENSION UNITS		SCALE		CURRENT REV DESC:				<b>molex</b>	
mm		#							
GENERAL TOLERANCES (UNLESS SPECIFIED)									
ANGULAR TOL ± 1.0°									
4 PLACES		± 0.05		EC NO: 698599		2022/01/28		1.0 FPC ZIF BTM CONT HSG ASSY	
3 PLACES		± 0.1		DRWN: KYHWANG		2022/03/11			
2 PLACES		± 0.2		CHK'D: SHOSHIKAWA		2022/03/11		PRODUCT CUSTOMER DRAWING	
1 PLACE		± 0.2		APPR: SHOSHIKAWA		2022/03/11			
0 PLACES		± 0.2		INITIAL REVISION:				DOCUMENT NUMBER	
				DRWN: MTAKAHASHI04		2015/12/24			
				APPR: YNOGAWA		2016/01/04		DOC TYPE	
								DOC PART	
								REVISION	
								PSD	
								000	
								E	
DRAFT WHERE APPLICABLE MUST REMAIN WITHIN DIMENSIONS		THIRD ANGLE PROJECTION		DRAWING		SERIES		MATERIAL NUMBER	
				A3-SIZE		200529		CUSTOMER	
								SEE SHEET 1	
								GENERAL	
								SHEET NUMBER	
								2 OF 3	

注記 NOTES

1.使用材料 MATERIAL

ハウジング :液晶ポリマー ガラス充填、UL94V-0(ベージュ)  
 HOUSING LIQUID CRYSTAL POLYMER  
 GLASS FILLED, UL94V-0(BEIGE)  
 アクチュエータ :ポリアミド ガラス充填、UL94V-0(黒)  
 ACTUATOR POLYAMIDE GLASS FILLED, UL94V-0(BLACK)  
 ターミナル :リン青銅(t=0.15)  
 TERMINAL PHOSPHOR BRONZE  
 金具 :リン青銅(t=0.15)  
 FITTING NAIL PHOSPHOR BRONZE

2.めっき仕様 PLATING

ターミナル TERMINAL  
 錫銀ビスマスめっき (1.0μm以上)  
 下地:ニッケルめっき (1.0μm以上)  
 TINSILVER BISMUTH PLATING  
 (1.0 MICROMETER MINIMUM)  
 UNDERPLATE : NICKEL OVERALL  
 (1.0 MICROMETER MINIMUM)  
 金具 FITTING NAIL  
 錫めっき(1.0μm以上)  
 下地:ニッケルめっき (1.0μm以上)  
 TIN PLATING (1.0 MICROMETER MIN.)  
 UNDER PLATING : NICKEL PLATING  
 (1.0 MICROMETER MIN.)

3.エンボステーブ梱包時は、アクチュエータが閉じた状態とする。  
 IN THE PACKAGE, ACTUATOR OF PART SHOULD BE CLOSED.

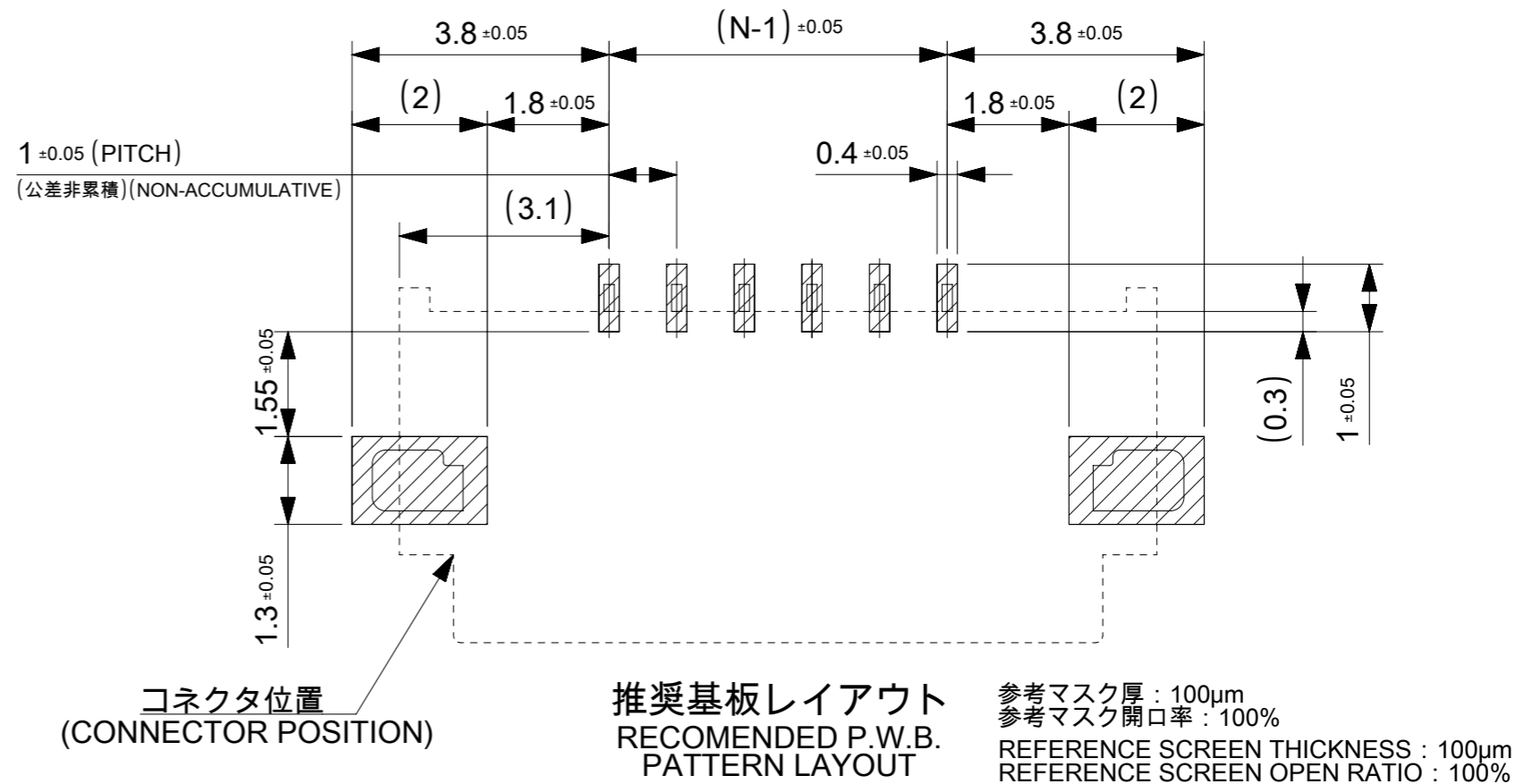
4. パターン剥離止め用金具  
 FITTING NAIL FOR PREVENTION OF PEELING OF P.C.B. PATTERN.

5. R0.3はFPC/FFC導体部にかからないこと。  
 R0.3 MUST NOT BE OVERLAPPED TO PATTERN OF FPC/FFC.

6.N:極数 N:CIRCUIT.

7.ELV及びRoHS適合品  
 ELV AND RoHS COMPLIANT

8.テールと金具を併せた平坦度は0.1以下とする。  
 TAILS AND NAILS COPLANALITY TO BE 0.1 MAX.



FPC/FFCについて ABOUT FPC/FFC

打ち抜き方向は導体側から補強板側を推奨します。  
 導体部については軟箔銅35μmまたは50μmを推奨します。  
 FFCに規定された定格温度がFFC単体前提である場合が御座います。  
 コネクタと組み合わせての実使用において、接着層が劣化するなどの信頼性を満足できないケースを回避するため、  
 実機での評価/確認をお願いいたします。

RECOMMENDED PUNCHING DIRECTION : FROM CONDUCTOR SIDE TO STIFFENER SIDE  
 RECOMMENDED CONDUCTOR SPEC : SOFT COPPER FOIL  
 RECOMMENDED CONDUCTOR THICKNESS : 35 MICROMETER OR 50 MICROMETER  
 WHEN ACTUALLY USING IT WITH CONNECTOR, PLEASE DO THE EVALUATION AND THE  
 CONFIRMATION WITH AN ACTUAL EQUIPMENT TO EVADE THE CASE WHERE RELIABILITY  
 CANNOT BE FILLED (THE ADHESIVE LINE OF FFC IS DETERIORATED ETC.)

FPCについて ABOUT FPC

補強フィルム材質はポリイミドを推奨します。ベースフィルムは25μmを推奨します。  
 接着剤は熱硬化接着剤を推奨します。  
 尚、接着剤の接点部への付着は導通不良の原因になりますので、染み出しが無い様お願い致します。  
 RECOMMENDED MATERIAL/THICKNESS.  
 RECOMMENDED STIFFENER MATERIAL: POLYIMIDE  
 RECOMMENDED BASE FILM THICKNESS: 25 MICROMETER  
 RECOMMENDED ADHESIVE: THERMOSETTING ADHESIVE  
 PLEASE PUT APPROPRIATE AMOUNT OF ADHESIVE ON ADHEREND BECAUSE THERE IS A  
 POSSIBILITY THAT THE EXTRA ADHESIVE CAUSES THE DEFECT IN ELECTRICAL CONTINUITY.  
 THERE IS A POSSIBILITY THAT THE PRESCRIPT TEMPERATURE OF FFC IS SET TO SINGLE IT.

THIS DRAWING CONTAINS INFORMATION THAT IS PROPRIETARY TO MOLEX ELECTRONIC TECHNOLOGIES, LLC AND SHOULD NOT BE USED WITHOUT WRITTEN PERMISSION									
DIMENSION UNITS		SCALE		CURRENT REV DESC:				<b>molex</b>	
mm		±±							
GENERAL TOLERANCES (UNLESS SPECIFIED)									
ANGULAR TOL ± 1.0 °									
4 PLACES		± 0.05		EC NO: 698599		2022/01/28		1.0 FPC ZIF BTM CONT HSG ASSY	
3 PLACES		± 0.1		DRWN: KYHWANG		2022/03/11			
2 PLACES		± 0.2		CHK'D: SHOSHIKAWA		2022/03/11		PRODUCT CUSTOMER DRAWING	
1 PLACE		± 0.2		APPR: SHOSHIKAWA		2022/03/11			
0 PLACES		± 0.2		INITIAL REVISION:		DOCUMENT NUMBER		DOC TYPE	
				DRWN: MTAKAHASHI04		2015/12/24		2005291006	
				APPR: YNOGAWA		2016/01/04		PSD 000 E	
DRAFT WHERE APPLICABLE MUST REMAIN WITHIN DIMENSIONS		THIRD ANGLE PROJECTION		DRAWING		SERIES		SHEET NUMBER	
		⊕		A3-SIZE		200529		3 OF 3	
				MATERIAL NUMBER		CUSTOMER			
				SEE SHEET 1		GENERAL			