

4

3

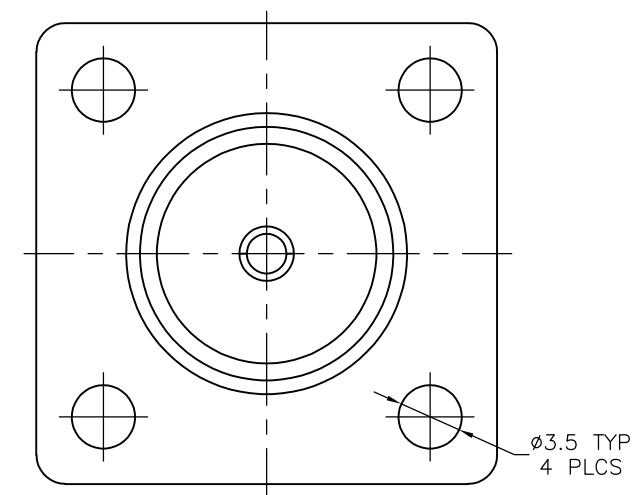
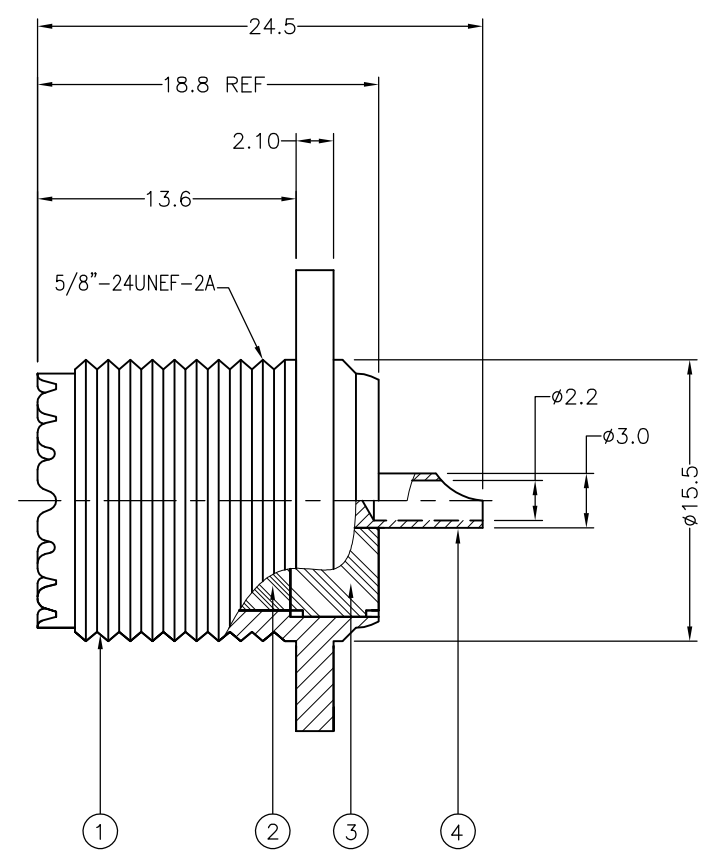
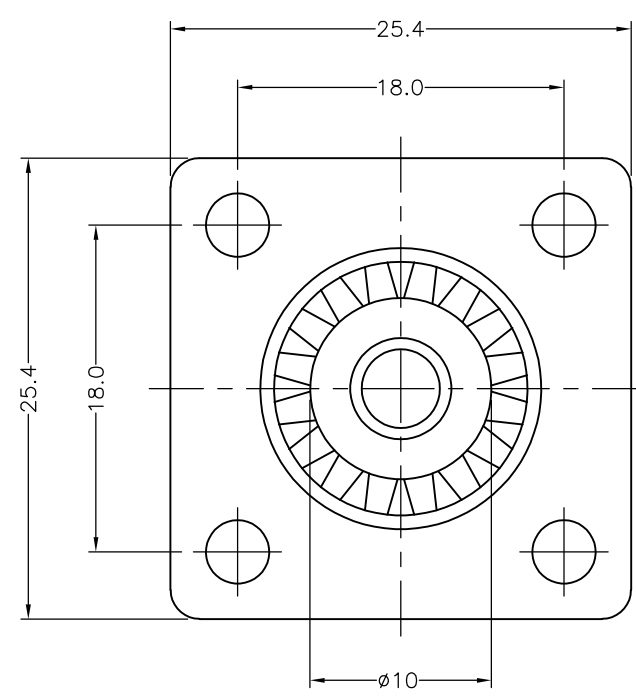
2

1

THIS DRAWING IS UNPUBLISHED. RELEASED FOR PUBLICATION AUGUST, 2006.
 © COPYRIGHT 2006 By - ALL RIGHTS RESERVED.

LOC		DIST		REVISIONS					
E		B		P	LTR	DESCRIPTION	DATE	DWN	APVD
					C1	REVISED PER ECO-15-008227	10JUN2015	RZ	RS

- NOTES:**
- 1 SINGLE PACKING: ONE CONNECTOR PER LABELED BAG PACKAGED. LABELED PER TEC-107-115
 - 2 TRAY PACKAGED
 - 3 Tin PLATING
 - 4 Ni PLATING
 - 5 FOR TECHNICAL DATA REFER TO YOUR LOCAL TE CONNECTIVITY SALES OFFICE
 - 6 ALL DIMENSIONS ARE NOMINAL FOR REFERENCE ONLY UNLESS OTHERWISE STATED



		Obsolete						
		1	1	BRASS	3	CONTACT		4
		1	1	PBT		INSULATION		3
		1	1	PBT		INSULATION		2
		1	1	ZINC	4	BODY		1
		5--1	5--0	MATERIAL		DESCRIPTION		ITEM
		1	1					
QUANTITY PER ASSY				PARTS LIST				

THIS DRAWING IS A CONTROLLED DOCUMENT.		DWN	ANSON MA	14FEB09	TE Connectivity				
DIMENSIONS: mm		CHK	RITA ZUO	14FEB09					
		APVD	BOB ZHAO	14FEB09					
TOLERANCES UNLESS OTHERWISE SPECIFIED: 0 PLC ± 0.5 1 PLC ± 0.3 2 PLC ± 0.2 3 PLC ± - 4 PLC ± - ANGLES ± -		PRODUCT SPEC		NAME					
MATERIAL		FINISH		108-112000		UHF PANEL SOCKET			
SEE TABLE		-		APPLICATION SPEC		-			
		WEIGHT		-		SIZE	CAGE CODE	DRAWING NO	RESTRICTED TO
				-		A3	00779	C-1814816	-
		CUSTOMER DRAWING		SCALE		SHEET		REV	
				NTS		1 OF 1		C1	