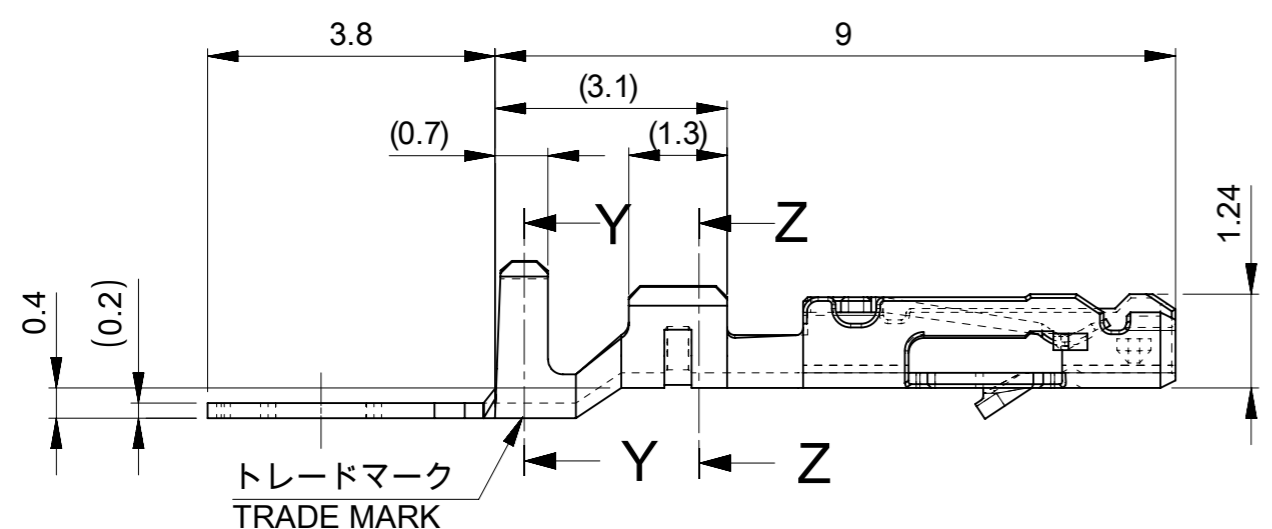
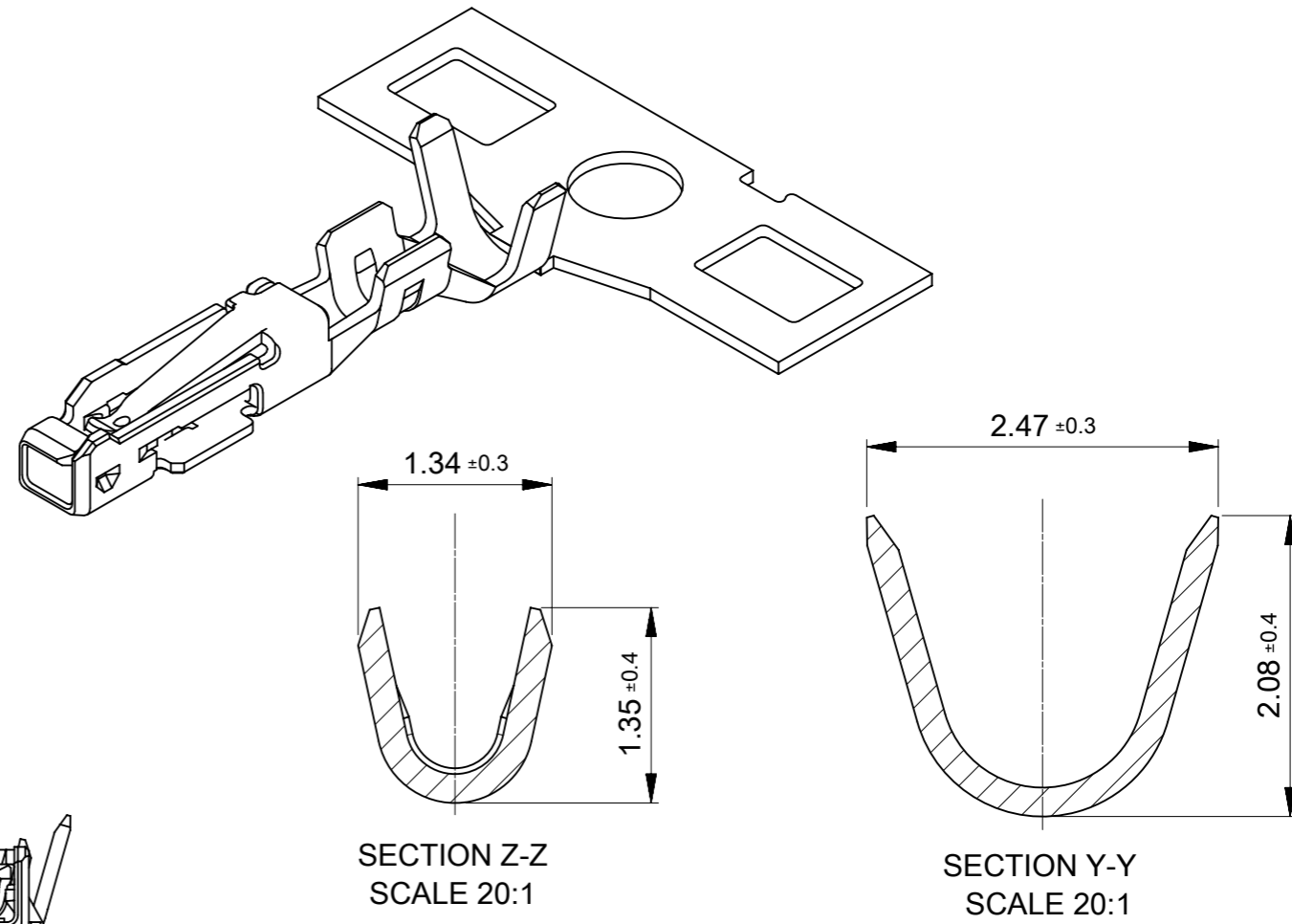
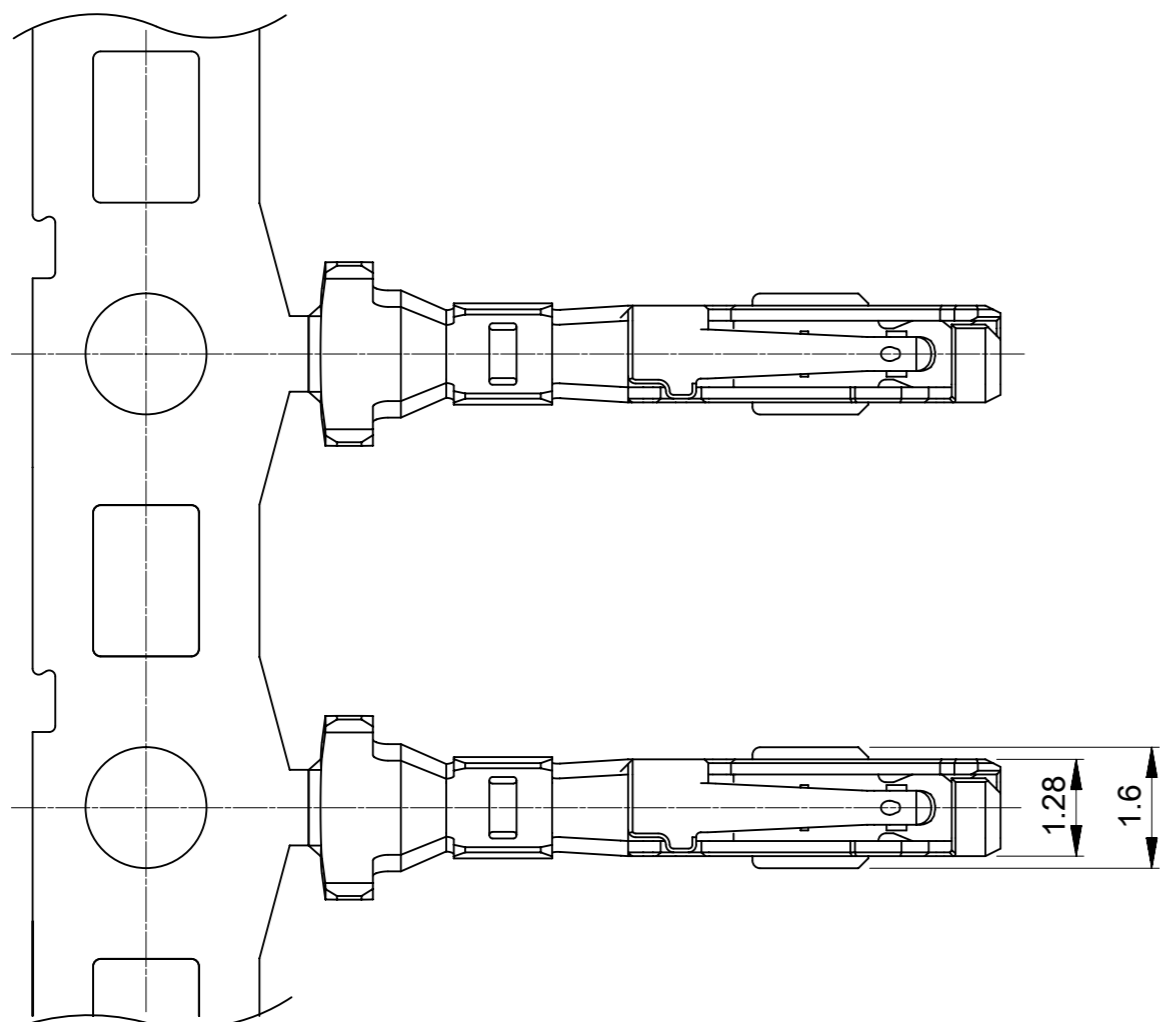


注記  
NOTES

1. 材料及び仕上げ(めっき仕様): TABLE1参照  
MATERIAL AND FINISHES: SEE TABLE 1
2. 適合製品及び各種仕様書についてはSHEET2をご参照ください。  
PLEASE REFER TO SHEET 2 FOR APPLICABLE PRODUCT AND VARIOUS SPECIFICATIONS.
3. 本製品はケーブルサイズAWG#26-28に適合です。  
AWG#22-26に適合する製品は5016470000-SD/PSD/000をご参照ください。  
THIS PRODUCT IS APPLICABLE TO AWG#26-28.  
FOR PRODUCTS APPLICABLE TO AWG#22-26, PLEASE REFER TO 5016470000-SD/PSD/000.
4. 本製品は錫めっき品です。金めっき製品は5030950000-SD/PSD/000をご参照ください。  
THIS PRODUCT IS A TIN PLATING.  
PLEASE REFER TO 5030950000-SD/PSD/000 FOR GOLD PLATING PRODUCT.



∅0.85-∅1.4mm	AWG#26-28 0.079 ~0.136mm <sup>2</sup>	ポリ袋 POLY BAG	5016481100	バラ状 LOOSE
		リール REEL	5016481000	連鎖状 CHAIN
絶縁被覆外形範囲 INS, RANGE	適用電線範囲 WIRE RANGE	梱包形態 PACKAGING	オーダー番号 ORDER No.	端子形状 FORM

1 TABLE 1

部品 PART		
ターミナル TERMINAL	材質 MATERIAL	銅合金 COPPER ALLOY
	めっき PLATING	錫めっき : 0.7 micro-meters MIN リフロー処理(前めっき) REFLOW TREATMENT (PRE-PLATING)
DOCUMENT STATUS	P1	RELEASE DATE 2021/08/05 04:16:48

THIS DRAWING CONTAINS INFORMATION THAT IS PROPRIETARY TO MOLEX ELECTRONIC TECHNOLOGIES, LLC AND SHOULD NOT BE USED WITHOUT WRITTEN PERMISSION		CURRENT REV DESC:		<b>molex</b>		
DIMENSION UNITS	SCALE					
mm	NTS			IGRID 2.0 WIRE TO BOARD CRIMP TERMINAL TIN PLATING AWG#26-28		
GENERAL TOLERANCES (UNLESS SPECIFIED)				PRODUCT CUSTOMER DRAWING		
ANGULAR TOL	± 1.0°			DOCUMENT NUMBER		
4 PLACES	± 0.2	EC NO: 672166		DOC TYPE		
3 PLACES	± 0.2	DRWN: SNAKAMURA08 2020/09/02		DOC PART		
2 PLACES	± 0.2	CHK'D: KOMURAKAMI 2021/08/05		REVISION		
1 PLACE	± 0.2	APPR: AIDA 2021/08/05		5016480000-SD		
0 PLACES	± 0.2	INITIAL REVISION:		PSD 000 A		
DRAFT WHERE APPLICABLE MUST REMAIN WITHIN DIMENSIONS		THIRD ANGLE PROJECTION	DRAWING	SERIES	MATERIAL NUMBER	CUSTOMER
			A3-SIZE	501648	SEE TABLE	GENERAL
						SHEET NUMBER
						1 OF 2

## △<sub>2</sub> 適合製品及び各種仕様書

### APPLICABLE PRODUCTS AND VARIOUS SPECIFICATIONS

VARIOUS SPECIFICATIONS	仕様書番号 SPECIFICATION NUMBER	
製品仕様書 PRODUCT SPECIFICATION	PS-501646-001	
取扱説明書 APPLICABLE SPECIFICATION	5016460000/PS/-A00(JAPANESE)/-A01(ENGLISH)	
梱包仕様書 PACKING SPECIFICATION	5016489200-SPK/PS/200	
適合ハウジング APPLICABLE HOUSING	リセプタクルハウジング RECEPTACLE HOUSING	
シリーズ番号 SERIES No.	501646 SERIES	
適合嵌合相手 MATE WITH	プラグアッセンブリ PLUG ASSEMBLY	
	バーティカルタイプ VERTICAL TYPE	ライトアングルタイプ RIGHT ANGLE TYPE
シリーズ番号 SERIES No.	501645 SERIES	501876 SERIES

製品嵌合図は各"適合嵌合相手"図面参照のこと  
MATING VIEW: REFER TO EACH "MATE WITH" PART DRAWING

THIS DRAWING CONTAINS INFORMATION THAT IS PROPRIETARY TO MOLEX ELECTRONIC TECHNOLOGIES, LLC AND SHOULD NOT BE USED WITHOUT WRITTEN PERMISSION									
DIMENSION UNITS	SCALE	CURRENT REV DESC:					<b>molex</b>		
mm	NTS								
GENERAL TOLERANCES (UNLESS SPECIFIED)		EC NO: 672166					IGRID 2.0 WIRE TO BOARD CRIMP TERMINAL TIN PLATING AWG#26-28		
ANGULAR TOL	± 1.0 °	DRWN: SNAKAMURA08 2020/09/02					PRODUCT CUSTOMER DRAWING		
4 PLACES	± 0.2	CHK'D: KOMURAKAMI 2021/08/05					DOCUMENT NUMBER		
3 PLACES	± 0.2	APPR: AIDA 2021/08/05					5016480000-SD		
2 PLACES	± 0.2	INITIAL REVISION:					DOC TYPE	DOC PART	REVISION
1 PLACE	± 0.2	DRWN: SNAKAMURA08 2020/09/02					PSD	000	A
0 PLACES	± 0.2	APPR: AIDA 2021/08/05					SHEET NUMBER		
DRAFT WHERE APPLICABLE MUST REMAIN WITHIN DIMENSIONS		THIRD ANGLE PROJECTION	DRAWING	SERIES	MATERIAL NUMBER	CUSTOMER		SHEET NUMBER	
			A3-SIZE	501648	SEE SHEET 1	GENERAL		2 OF 2	