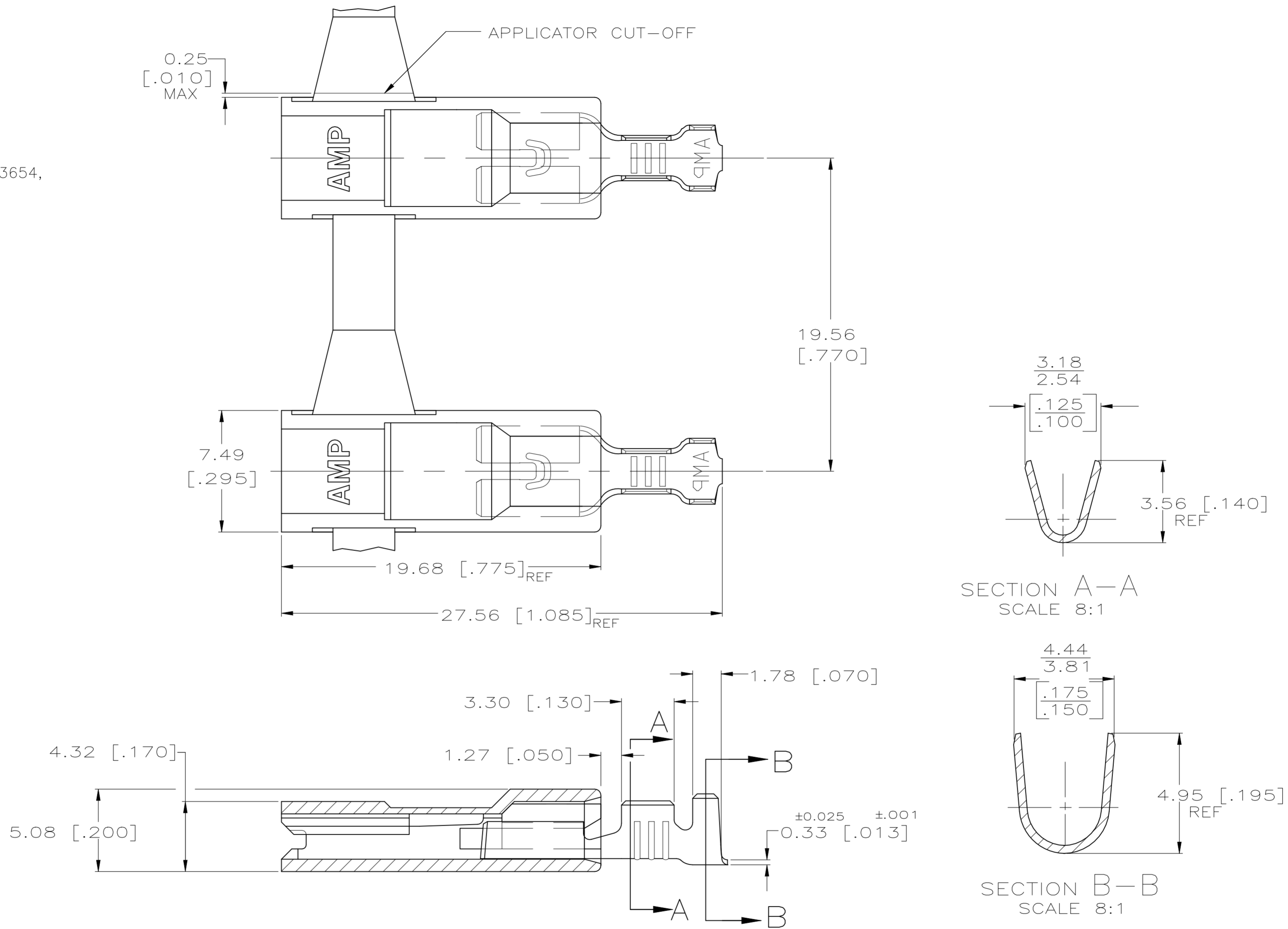


| REVISIONS |     |                           |           |     |      |
|-----------|-----|---------------------------|-----------|-----|------|
| P         | LTR | DESCRIPTION               | DATE      | DWN | APVD |
| D1        |     | REVISED PER ECR-22-160893 | 14DEC2022 | DB  | BW   |

1 FASTON TERMINALS, BASE P/N 63654, ARE USED IN THIS PRODUCT.

2 TIN PLATE PER MIL-T-10727



|           |               |                 |                       |                                 |                              |          |
|-----------|---------------|-----------------|-----------------------|---------------------------------|------------------------------|----------|
| STANDARD  | NATURAL       | TIN             | 2.29-3.30 [.090-.130] | 0.5-1.3 mm <sup>2</sup> [20-16] | 0.813 [.032]                 | 521284-2 |
|           | NATURAL       | PLAIN           |                       |                                 |                              | 521284-1 |
| PACKAGING | HOUSING COLOR | TERMINAL FINISH | INSULATION RANGE      | WIRE SIZE                       | MATING TAB THK±0.025 [±.001] | PART NO  |

|   |  |                      |                  |         |                     |
|---|--|----------------------|------------------|---------|---------------------|
| THIS DRAWING IS A CONTROLLED DOCUMENT.  |  | DWN                  | JR RUTH          | 13MAR00 | <br>TE Connectivity |
| DIMENSIONS: mm [INCHES]   |  | CHK                  | MS FEHER         | 13MAR00 |                     |
| TOLERANCES UNLESS OTHERWISE SPECIFIED:  |  | APVD                 | J HUMMEL         | 13MAR00 |                     |
| 0 PLC ± -<br>1 PLC ± -<br>2 PLC ± -<br>3 PLC ± 0.25 [.010]<br>4 PLC ± -<br>ANGLES ± - |  | PRODUCT SPEC         | 118-1285         |         |                     |
| MATERIAL  |  | APPLICATION SPEC     | 114-2124         |         | NAME                |
| TERMINAL - BRASS  |  | FINISH               | 0.000000         |         | SIZE                |
| HOUSING - 6/6 VO NYLON  |  | TERMINAL - SEE TABLE | CUSTOMER DRAWING |         | CAGE CODE           |
|   |  | HOUSING - SEE TABLE  |                  |         | A2 00779            |
|   |  |                      |                  |         | DRAWING NO          |
|   |  |                      |                  |         | C=521284            |
|   |  |                      |                  |         | RESTRICTED TO       |
|   |  |                      |                  |         | -                   |
|   |  |                      |                  |         | SCALE               |
|   |  |                      |                  |         | 5:1                 |
|   |  |                      |                  |         | SHEET               |
|   |  |                      |                  |         | 1 OF 1              |
|   |  |                      |                  |         | REV                 |
|   |  |                      |                  |         | D1                  |