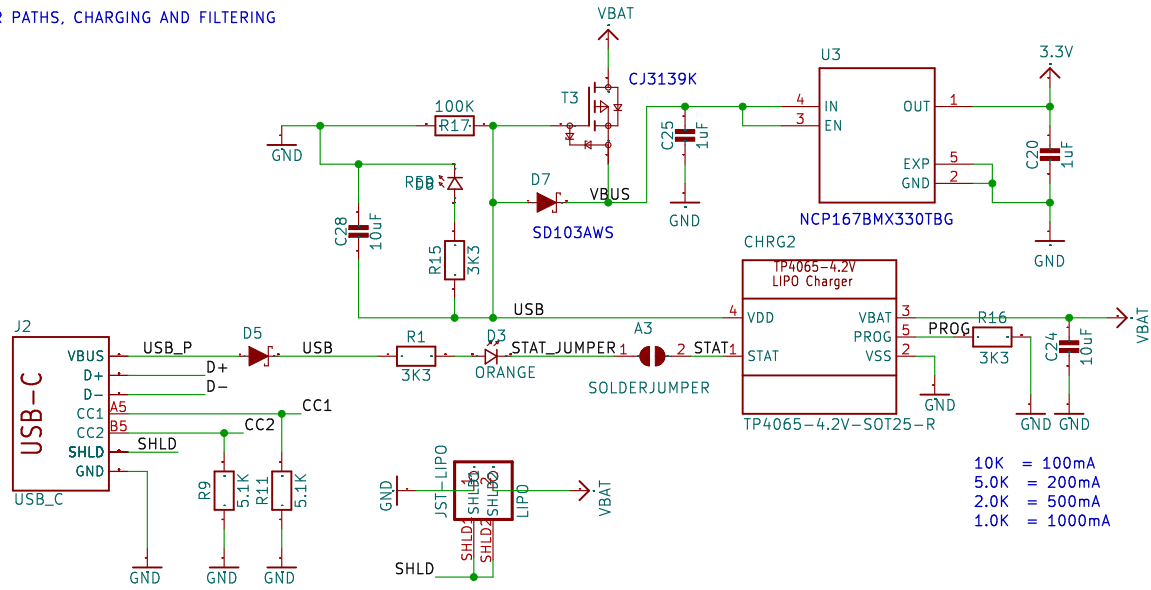
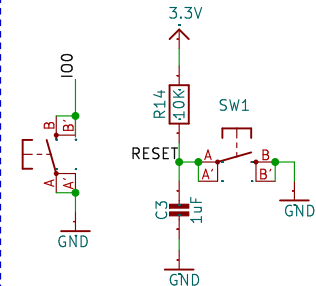


USB, POWER PATHS, CHARGING AND FILTERING

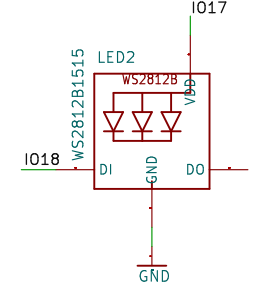


- 10K = 100mA
- 5.0K = 200mA
- 2.0K = 500mA
- 1.0K = 1000mA

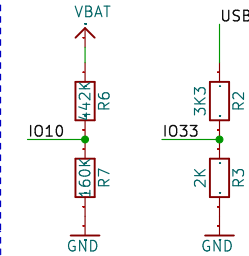
BUTTONS



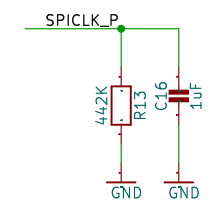
RGB LED



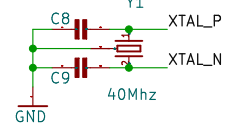
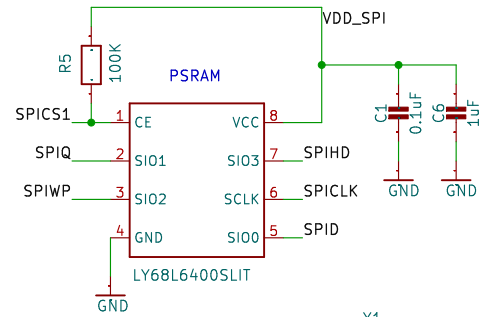
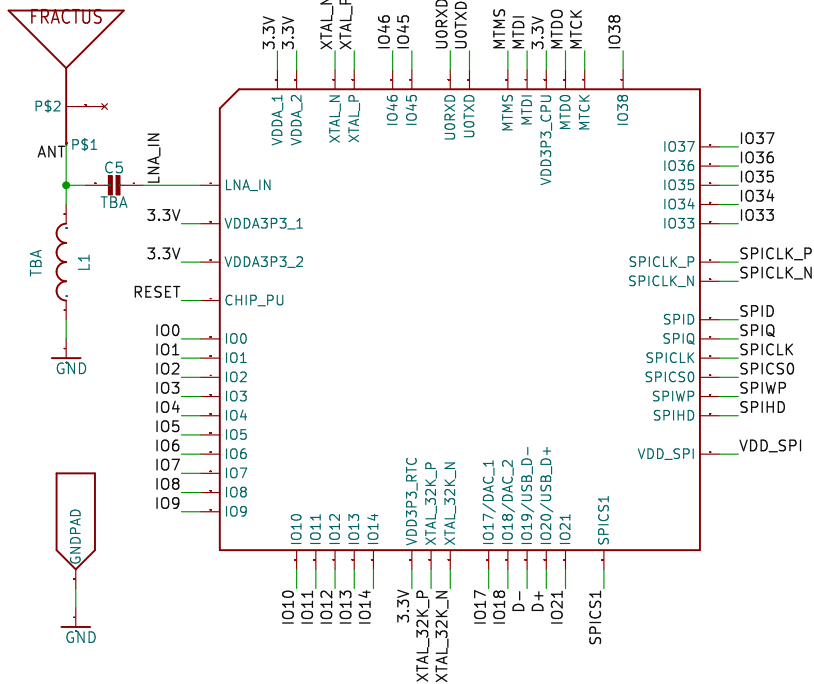
VOLTAGE SENSE



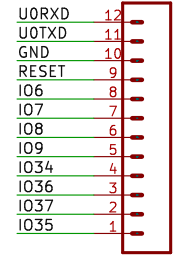
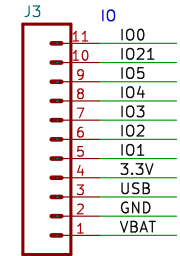
DOUBLE RESET



ESP32-S3



HEADERS



|                              |                  |
|------------------------------|------------------|
| <b>Unexpected Maker</b>      |                  |
| Sheet: /                     |                  |
| File: TinyS3_P5.kicad.sch    |                  |
| <b>Title: TinyS3</b>         |                  |
| Size: A4                     | Date: 2022-01-26 |
| KiCad E.D.A. kicad (6.0.1-0) | Rev: P4          |
|                              | Id: 1/1          |