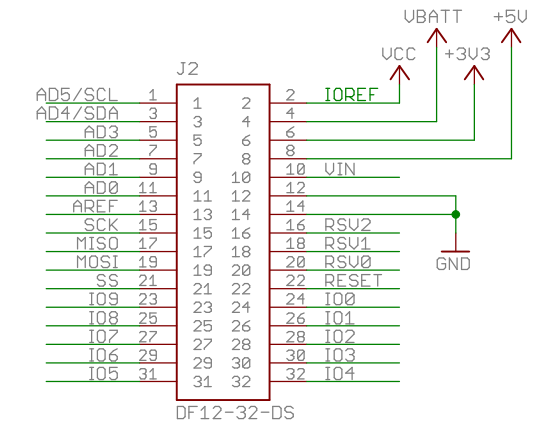


TinyShield Expansion - Bottom



Released under the Creative Commons Attribution Share-Alike 3.0 License
<http://creativecommons.org/licenses/by-sa/3.0>

Original Arduino Uno Design by Team Arduino
 LilyPad Arduino Design by Leah Buechley and Sparkfun Electronics
 TinyDuino, TinyLily and TinyShield Designs by TinyCircuits

 TINYCIRCUITS		http://www.TinyCircuits.com	
TITLE: 7 Segment Display Board			
Document Number: AS-SCH-ASD2421			REV: 1
Date: 2/21/2016 3:17:55 PM			Sheet: 1/1