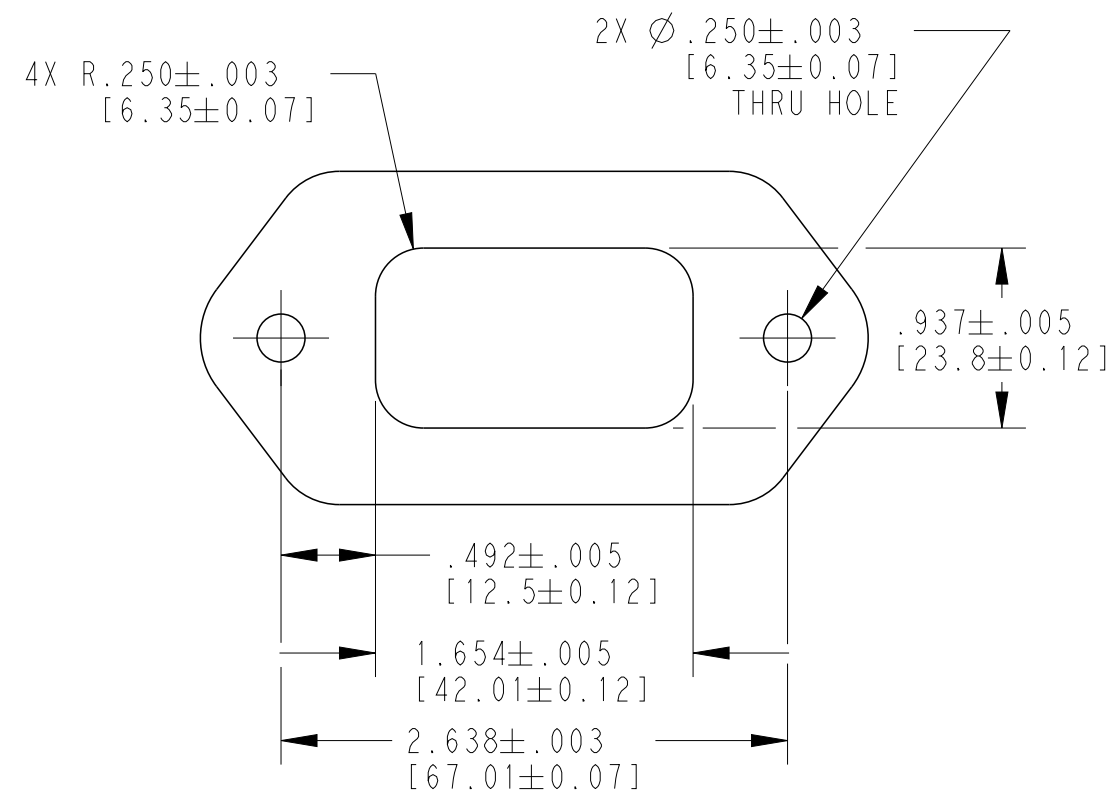
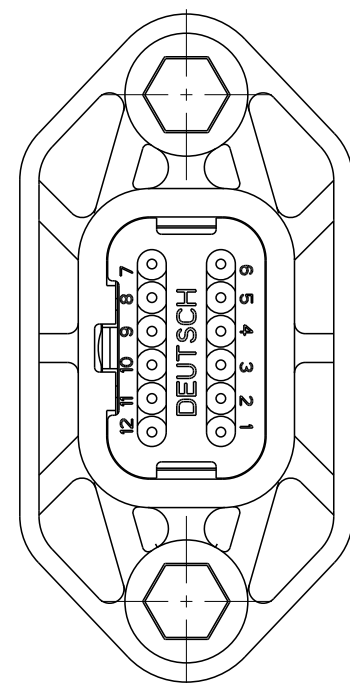
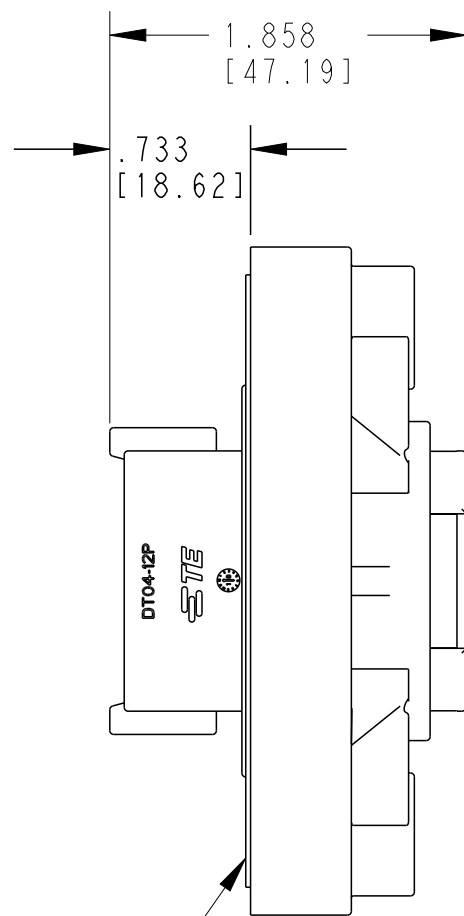
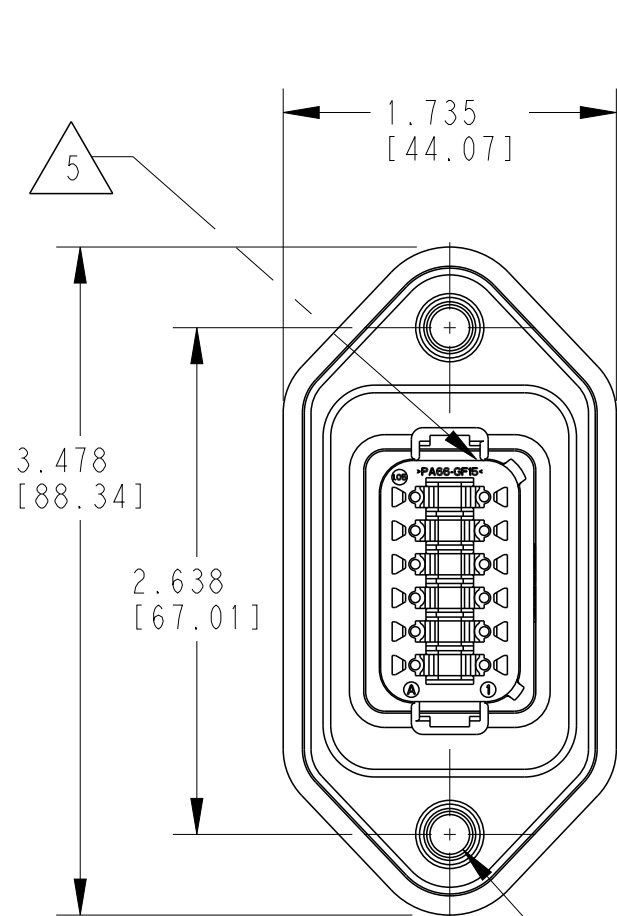


REVISIONS					
P	LTR	DESCRIPTION	DATE	DWN	APVD
	A1	REVISED PER PCN E-17-012564	28AUG2017	JA	DM
	A2	REVISED PER PCN E-21-003453	04MAY2022	AP	IG
	A3	REVISED PER PCN-22-148090	27JUL2022	GB	IG



2X THREADED INSERT  
 M6 X .500 DEEP  
 RECOMMENDED TORQUE:  
 62-88 IN-LB [7-10 N-m]

FLANGE SEAL IS INTENDED  
 FOR NON-PRESSURIZED  
 FLUID SPLASH ONLY

**RECOMMENDED MOUNTING  
 DETAIL**

TE INTERNAL PN	DEUTSCH PN
DT04-12PA-LE01	DT04-12PA-LE01
DT04-12PB-LE01	DT04-12PB-LE01
DT04-12PC-LE01	DT04-12PC-LE01
DT04-12PD-LE01	DT04-12PD-LE01

CONTACT SIZE	MIN. INSUL O.D.	MAX. INSUL O.D.	WIRE RANGE [mm <sup>2</sup> ] REF ONLY
16	.088 [2.24]	.145 [3.68]	14-20 AWG [2.5-0.5]

- 5 DATE CODE: MONTH IS REPRESENTED BY SEQUENTIAL ALPHA CHARACTERS. EX: A = JANUARY, YEAR IS REPRESENTED BY LAST NUMERICAL DIGIT. EX: 0 = 2010
- 4. COLOR OF FLANGE IS BLACK FOR ALL KEY ARRANGEMENTS WHILE COLOR OF SHELL AND WELD CAP DEPENDS ON KEY ARR. AS SHOWN ON SHEET 2.
- 3 MATERIAL: HOUSING, CAP, FLANGE: PA66 GF15  
 GROMMET, GASKET: VMQ (RED-ORANGE)  
 INSERTS: STAINLESS STEEL

2. THIS RECEPTACLE MATES WITH DT06-12SX-XXXX PLUG.  
 (X = KEY ARR. A,B,C, OR D, XXXX = ALL MODIFICATIONS)  
 CONSULT FACTORY FOR MODIFICATIONS.

1 FOR CONTACTS AND WIRE PERFORMANCE AND APPLICATION CHARACTERISTICS, SEE ENVELOPE DRAWING 0425-015-0000.

NOTES: UNLESS OTHERWISE SPECIFIED

THIS DRAWING IS A CONTROLLED DOCUMENT.		DWN T. YOHANNES 18SEP2002	TE Connectivity			
DIMENSIONS: in [mm]		CHK R. MESSENGER 03MAY2005				
TOLERANCES UNLESS OTHERWISE SPECIFIED:		APVD S. BEARD 27APR2005	NAME <b>12 WAY RECEPTACLE          DT SERIES</b>			
0 PLC ± 1 PLC ± 2 PLC ± 3 PLC ±.025 [0.64] 4 PLC ± ANGLES ±0° 30' 0"		PRODUCT SPEC 108-151009				
MATERIAL		APPLICATION SPEC 0425-017-0000	SIZE A3	CAGE CODE 4AFU8	DRAWING NO. DT04-12PX-LE01	RESTRICTED TO -
FINISH		WEIGHT 80.88g	SCALE 1:1		SHEET 1 OF 2	REV A3
		CUSTOMER DRAWING				

4

3

2

1

THIS DRAWING IS UNPUBLISHED.

RELEASED FOR PUBLICATION

2017

© COPYRIGHT 2002

BY TE CONNECTIVITY

ALL RIGHTS RESERVED.

REVISIONS

P	LTR	DESCRIPTION	DATE	DWN	APVD
-		SEE SHEET 1	-	-	-

DT04-12PA-LE01

KEY ARR. -A-

COLOR : GRAY (SHELL AND WELD CAP)  
(FLANGE IS BLACK FOR ALL KEY ARR.)

DT04-12PB-LE01

KEY ARR. -B-

COLOR : BLACK (SHELL AND WELD CAP)

DT04-12PC-LE01

KEY ARR. -C-

COLOR : GREEN (SHELL AND WELD CAP)

DT04-12PD-LE01

KEY ARR. -D-

COLOR : BROWN (SHELL AND WELD CAP)

KEYWAYS -A-

KEYWAYS -B-

KEYWAYS -C-

KEYWAYS -D-

THIS DRAWING IS A CONTROLLED DOCUMENT.

DWN 18SEP2002

T. YOHANNES

CHK 03MAY2005

R. MESSENGER

APVD 27APR2005

S. BEARD

PRODUCT SPEC

108-151009

APPLICATION SPEC

0425-017-0000

WEIGHT 80.88g

CUSTOMER DRAWING

TE Connectivity

NAME  
12 WAY RECEPTACLE  
DT SERIES

RESTRICTED TO

SIZE

CAGE CODE

DRAWING NO

A3

4AFU8

DT04-12PX-LE01

SCALE 1:1

SHEET 2 OF 2

REV A3

DIMENSIONS:  
in [mm]

TOLERANCES UNLESS  
OTHERWISE SPECIFIED:

0 PLC	±
1 PLC	±
2 PLC	±
3 PLC	±.025 [0.64]
4 PLC	±
ANGLES	±0° 30' 0"

MATERIAL

FINISH

1470-19 (3/13)