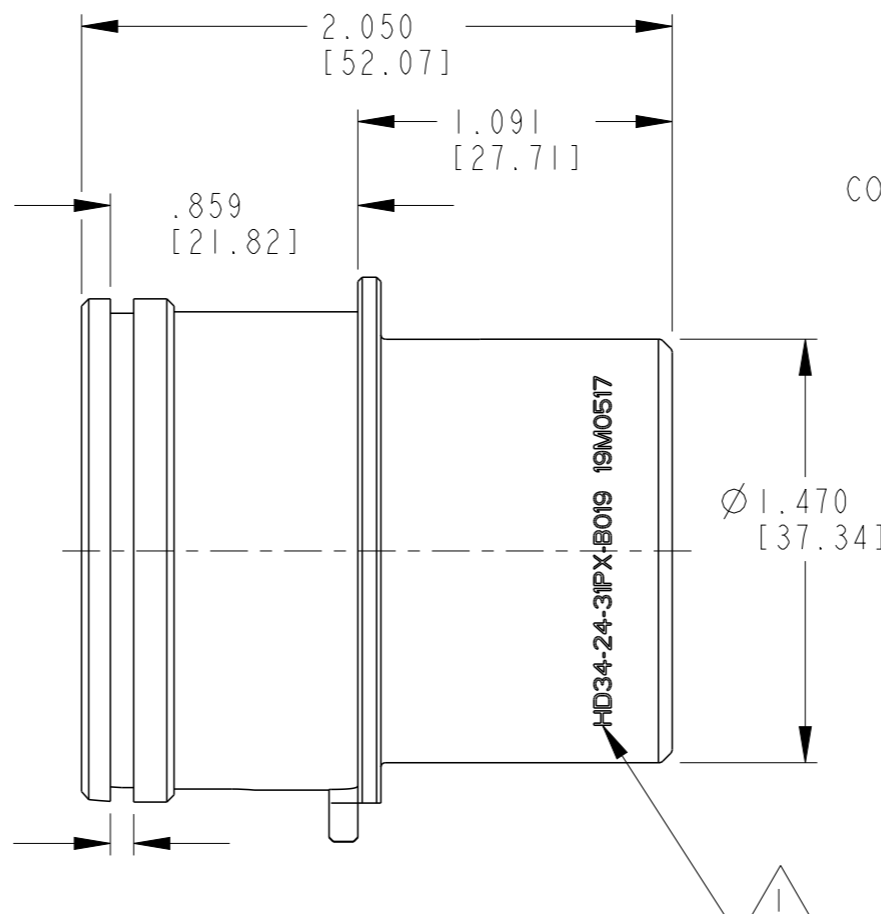
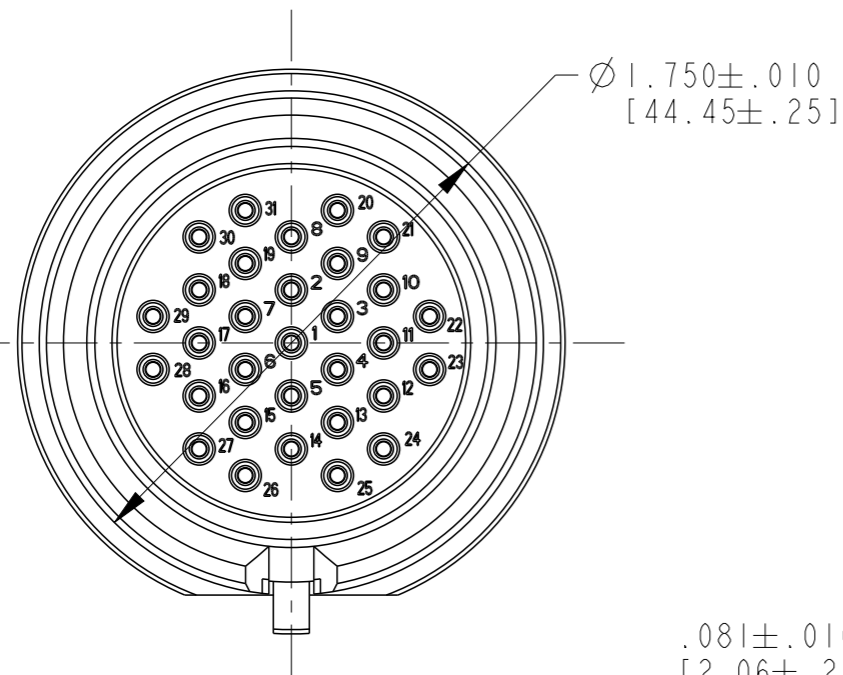
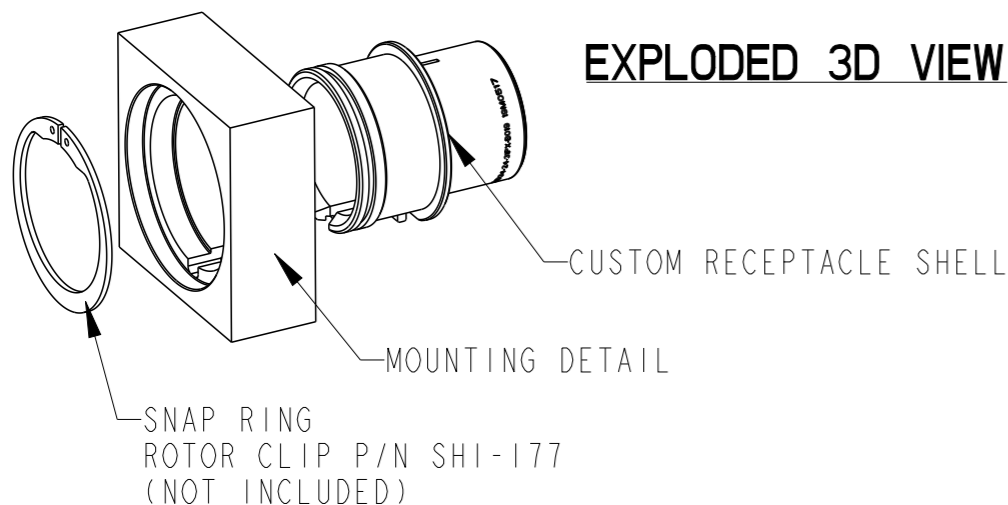


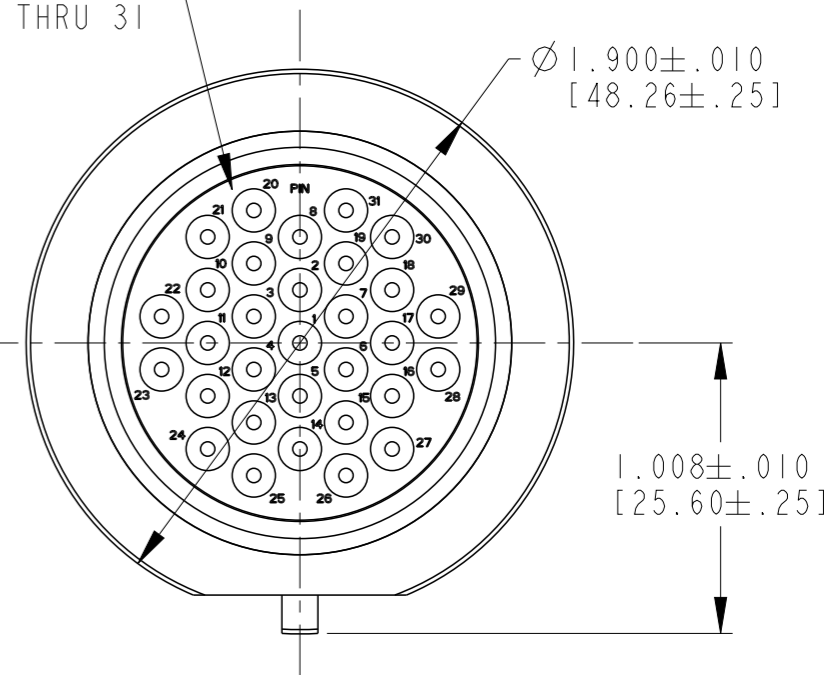
REVISIONS

P	LTR	DESCRIPTION	DATE	DWN	APVD
	NC	NEW RELEASE PER E.O. P18345	10/3/03	RDR	RDR
	A	REVISED PER E.O. P18393	11-24-03	RDR	RDR
	AI	REVISED PER PCN E-20-016449	18NOV2020	CO	IG

EXPLODED 3D VIEW



ARRANGEMENT OF CONTACT LOCATION PINS 1 THRU 31



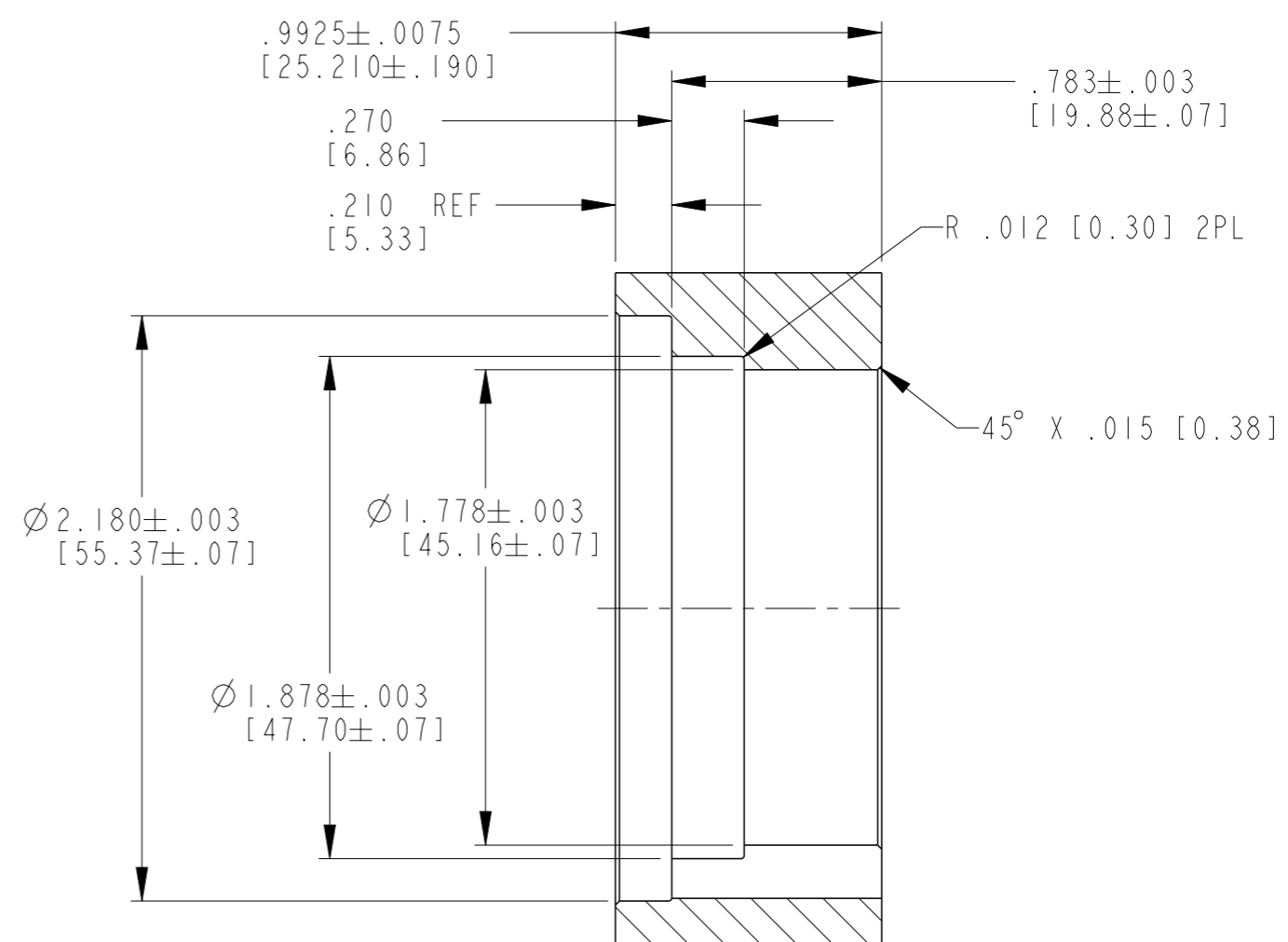
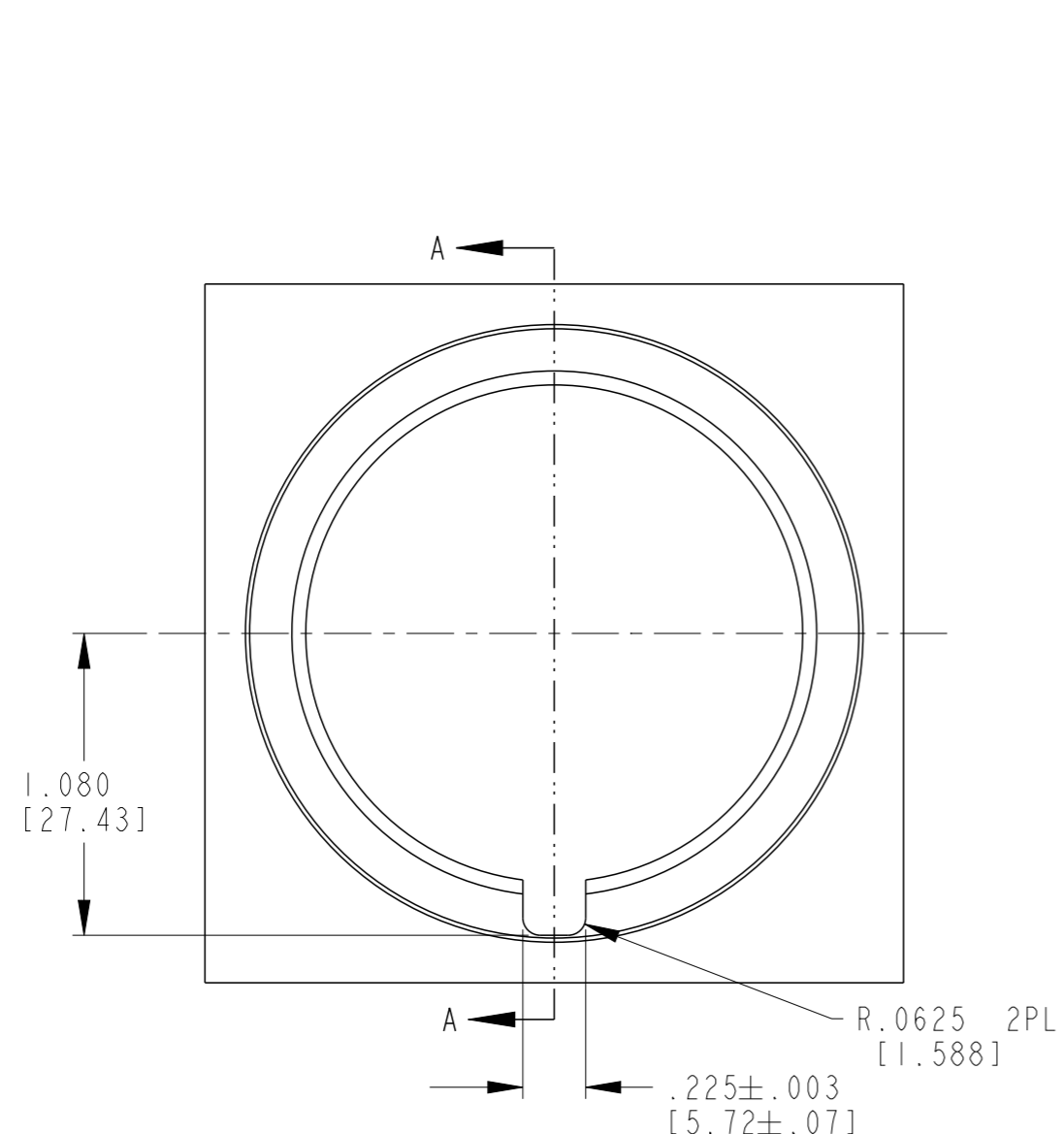
- .050 REF [1.28] NOMINAL CONNECTOR FLOAT BETWEEN SNAP RING AND SIDE OF MOUNTING.
- THIS PART MATES WITH HD36-24-3IS\*-B019 (\* INDICATES WIRE SEAL TYPE)
- FOR CONTACTS, WIRE PERFORMANCE AND APPLICATION CHARACTERISTICS SEE ENVELOPE DWG. 0425-015-0000.
- FOR PERFORMANCE AND APPLICATION CHARACTERISTICS SEE ENVELOPE DWG 0425-016-0000. MOUNTING APPLICATION NOT APPLICABLE TO HD34-24-3IP\*-B019. REFER TO SHEET -2- OF THIS DRAWING FOR CUSTOMMOUNTING APPLICATION.

**DATE CODE:** IDENTIFIES THE YEAR, MONTH, DAY AND HOUR OF ASSEMBLY.  
 YEAR: FIRST AND SECOND DIGITS. (14=2014)  
 MONTH: THIRD DIGIT, EXCLUDING "1". (A=JAN, B=FEB, ..., M=DEC)  
 DAY: FOURTH AND FIFTH DIGITS. (14=14TH DAY)  
 HOUR: SIXTH AND SEVENTH DIGITS. (11=11AM)

NOTES:

THIS DRAWING IS A CONTROLLED DOCUMENT.		DWN A. ROLINSKI 10/01/03														
DIMENSIONS: INCH [mm]		CHK B. BYFORD 11/14/03														
TOLERANCES UNLESS OTHERWISE SPECIFIED:		APVD S. BEARD 11-14-03	NAME 31 WAY CUSTOM MOUNT RECEPTACLE CONNECTOR SHELL SIZE 24 HD30 SERIES													
<table border="0"> <tr> <td>0 PLC</td> <td>±</td> </tr> <tr> <td>1 PLC</td> <td>±</td> </tr> <tr> <td>2 PLC</td> <td>±</td> </tr> <tr> <td>3 PLC</td> <td>±.025 [0.64]</td> </tr> <tr> <td>4 PLC</td> <td>±</td> </tr> <tr> <td>ANGLES</td> <td>±</td> </tr> </table>		0 PLC	±	1 PLC	±	2 PLC	±	3 PLC	±.025 [0.64]	4 PLC	±	ANGLES	±	PRODUCT SPEC -	SIZE A3	CAGE CODE 11139
0 PLC	±															
1 PLC	±															
2 PLC	±															
3 PLC	±.025 [0.64]															
4 PLC	±															
ANGLES	±															
MATERIAL -		APPLICATION SPEC -	DRAWING NO G=HD34-24-3IPX-B019	RESTRICTED TO -												
FINISH -		WEIGHT -	SCALE 1.5													
		CUSTOMER DRAWING		SHEET 1 OF 2												
				REV AI												


P	LTR	DESCRIPTION	DATE	DWN	APVD
-	-	SEE SHEET 1	-	-	-



**SECTION A-A**

**MOUNTING DETAIL FOR RECEPTACLE**

ALL DIMENSIONS ARE ±.005  
UNLESS OTHERWISE SPECIFIED

THIS DRAWING IS A CONTROLLED DOCUMENT.		DWN A. ROLINSKI 10/01/03	 TE Connectivity		
DIMENSIONS: INCH [mm]		CHK B. BYFORD 11/14/03			
TOLERANCES UNLESS OTHERWISE SPECIFIED:		APVD S. BEARD 11-14-03	NAME 31 WAY CUSTOM MOUNT RECEPTACLE CONNECTOR SHELL SIZE 24 HD30 SERIES		
0 PLC ± 1 PLC ± 2 PLC ± 3 PLC ±.025 [0.64] 4 PLC ± ANGLES ±-		PRODUCT SPEC -	RESTRICTED TO -		
MATERIAL -		APPLICATION SPEC -	SIZE A3	CAGE CODE 111139	DRAWING NO G=HD34-24-31PX-B019
FINISH -		WEIGHT -	SCALE 1.5		SHEET 2 OF 2
		CUSTOMER DRAWING	REV A1		